

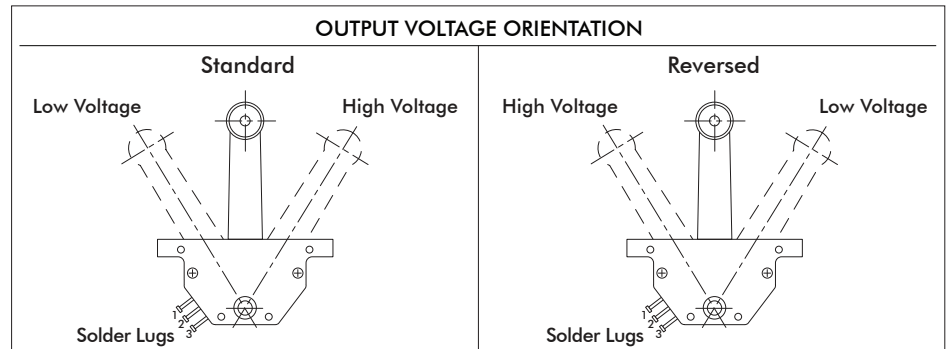
HFX T-bar fader

Hall effect T-bar fader

OPTION SELECTION



SERIES	MODEL
-PO	0V to 5V
-PO-R ¹	5V to 0V
-P1	0.5V to 4.5V
-P2	0.25V to 4.75V
-P3	2V to 3V
-P4	1V to 4V



NOTES

- Any T-bar Fader can be programmed in reversed range.

SPECIFICATIONS

MECHANICAL (FOR X, Y AXES)

Operating Force	-	.115Nm
Mechanical Angle of Movement	-	63° (31.5° from center)
Expected Life	-	10 million
Mass/weight	-	121g
Package Size (mm) (L x W x H) or (Dia x H)	-	5.00" x 3.00" x 3.00"
Lever Action (Centering)	-	Friction

ENVIRONMENTAL

Operating Temperature	-	-20°C to 70°C / -13°F to 158°F
Storage Temperature	-	-40°C to 70°C / -40°F to 158°F
Sealing (IP)	-	Not sealed. For internal applications only.

ELECTRICAL SENSOR

Sensor	-	Hall effect
Resolution	-	Infinite
Supply Voltage Operating	-	5.00VDC
Reverse Polarity Max	-	-14.5VDC
Overshoot Max	-	18VDC
Output Voltage	-	0.35V to 4.65V
Output Impedance	-	6Ω
Current Consumption Max	-	8.5mA

Note: The company reserves the right to change specifications without notice.