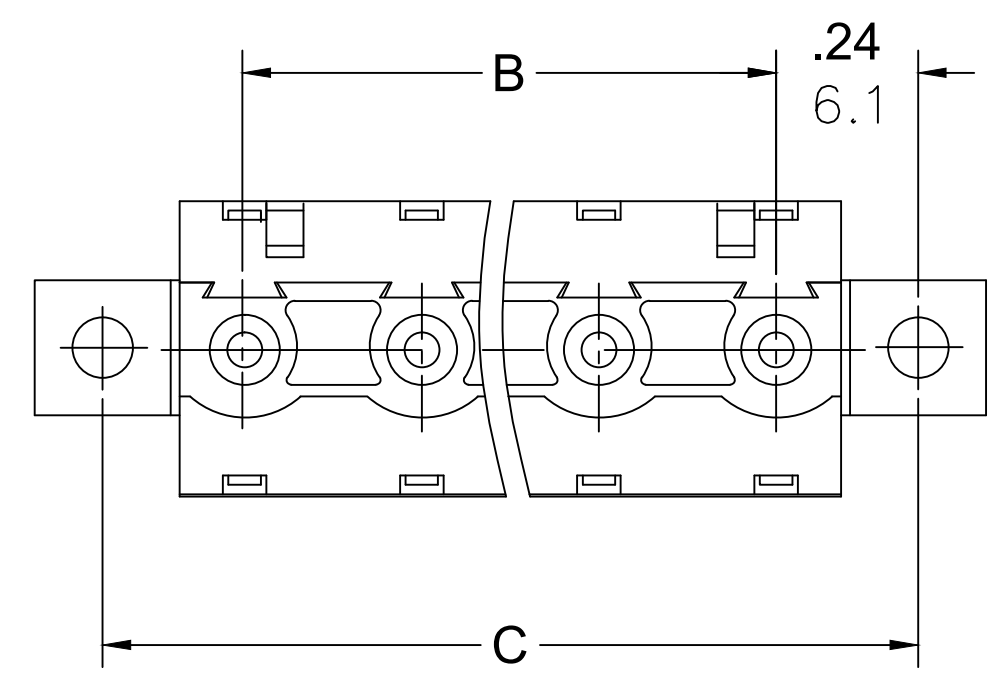


CONTACT FACTORY FOR OPTIONAL COLORS

M750B-09-5-XX-3

COLOR
POLES
PITCH
STYLE
SERIES



PART NUMBER DATA									
CIRCUITS	PART NUMBER	ENGINEERING NUMBER	COLOR	A IN mm		B IN mm		C IN mm	
2	397120002	M750B-09-5-02-3	GREEN	1.01	25.7	.300	7.62	.78	19.8
3	397120003	M750B-09-5-03-3	GREEN	1.31	33.3	.600	15.24	1.08	27.4
4	397120004	M750B-09-5-04-3	GREEN	1.61	40.9	.900	22.86	1.38	35.1
5	397120005	M750B-09-5-05-3	GREEN	1.91	48.5	1.200	30.48	1.68	42.7
6	397120006	M750B-09-5-06-3	GREEN	2.21	56.2	1.500	38.10	1.98	50.3
7	397120007	M750B-09-5-07-3	GREEN	2.51	63.8	1.800	45.72	2.28	57.9
8	397120008	M750B-09-5-08-3	GREEN	2.81	71.4	2.100	53.34	2.58	65.5
9	397120009	M750B-09-5-09-3	GREEN	3.11	79.0	2.400	60.96	2.88	73.2
10	397120010	M750B-09-5-10-3	GREEN	3.41	86.6	2.700	68.58	3.18	80.8
11	397120011	M750B-09-5-11-3	GREEN	3.71	94.3	3.000	76.20	3.48	88.4
12	397120012	M750B-09-5-12-3	GREEN	4.01	101.9	3.300	83.82	3.78	96.0

SPECIFICATIONS

- MATERIAL:
 - A. SCREW: STEEL, M3, ZINC PLATED
 - B. CONTACT : BRONZE, TIN PLATED
 - C. CAGE: BRASS, NICKEL PLATED
 - D. BODY : PA66, UL94 V-0
 - E. COVER: PA66, UL94 V-0
 - F. MOUNTING SCREW: STEEL, M2.5, ZINC PLATED
- WIRE SIZE: 30-12AWG
- RATING: 15A AT 51-150V, 15A AT 151-300V
- POWER-FREQUENCY WITHSTAND: AC 2500V/1MIN.
- INSULATION RESISTANCE: DC500V 500MΩ OR ABOVE
- RATED IMPULSE VOLTAGE: 4000V/PLUS AND MINUS 5 TIMES EACH
- WIRE STRIP LENGTH: .28 IN. (7.0mm)
- SCREW TORQUE: 5.0 IN LBS. (0.56 N.M)
- OPERATING TEMPERATURE: -40°C TO +105°C
- DIMS SHOWN ARE FOR REFERENCE ONLY

REF. LAST 2 DIGITS OF PART NUMBER EQUALS CIRCUIT COUNT

TOLERANCES			
MM	TOL	INCH	TOL
0-6	±0.25	0-.24	±.010
>6-30	±0.40	.24-1.18	±.016
>30-120	±0.50	1.18-4.76	±.020
>120	±0.80	>4.76	±.031

REVISED DOC TOL EC NO.: ICG2017-0881 DRWN: ABENJAMI 4/6/17 CHKD: --- APPR: BRUPERT 2014/10/16 DESCRIPTION REV	QUALITY SYMBOL	GENERAL TOLERANCES (UNLESS SPECIFIED)	DIMENSION STYLE MM ONLY	SCALE ---	DESIGN UNITS METRIC	THIRD ANGLE PROJECTION
	▽=0	mm INCH	DRAWN BY DATE	TITLE		
	▽C=0	4 PLACES ±--- ±--- 3 PLACES ±--- ±--- 2 PLACES ±--- ±--- 1 PLACE ±--- ±---	RSTONE 2014/02/27	PLUGGABLE TERMINAL BLOCK 7.62MM (.300) PITCH VERT FRONT FACING-MTG ENDS		
	A1	ANGULAR ±---°	CHECKED BY DATE G. FARNS ---	MOLEX INCORPORATED		
DRAFT WHERE APPLICABLE MUST REMAIN WITHIN DIMENSIONS		MATERIAL NO. SEE CHART	APPROVED BY DATE JFMURPHY 2014/10/16	DOCUMENT NO. SD-39712-001	SHEET NO. 1 OF 1	
SIZE C THIS DRAWING CONTAINS INFORMATION THAT IS PROPRIETARY TO MOLEX INCORPORATED AND SHOULD NOT BE USED WITHOUT WRITTEN PERMISSION						