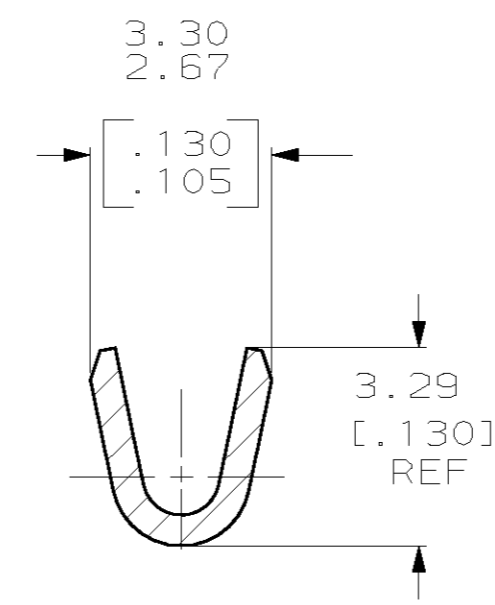
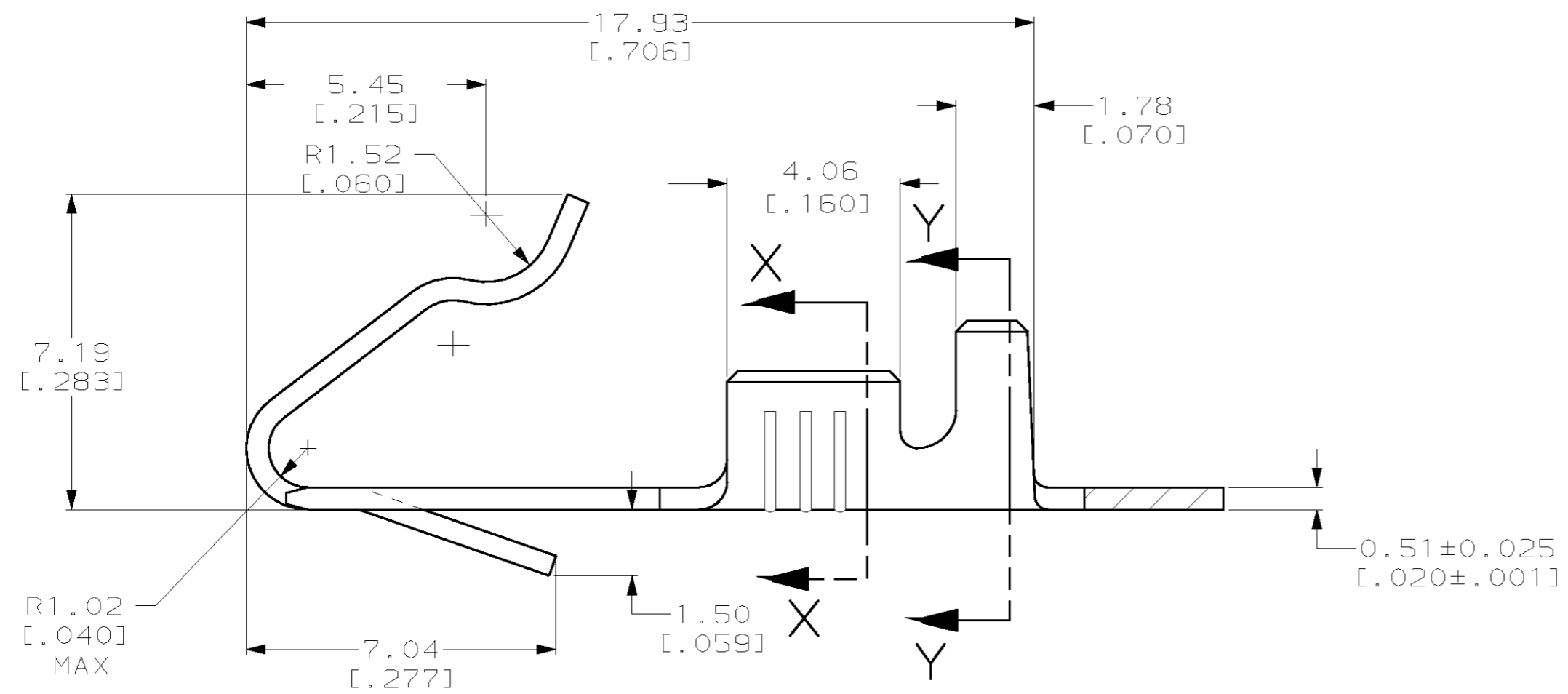
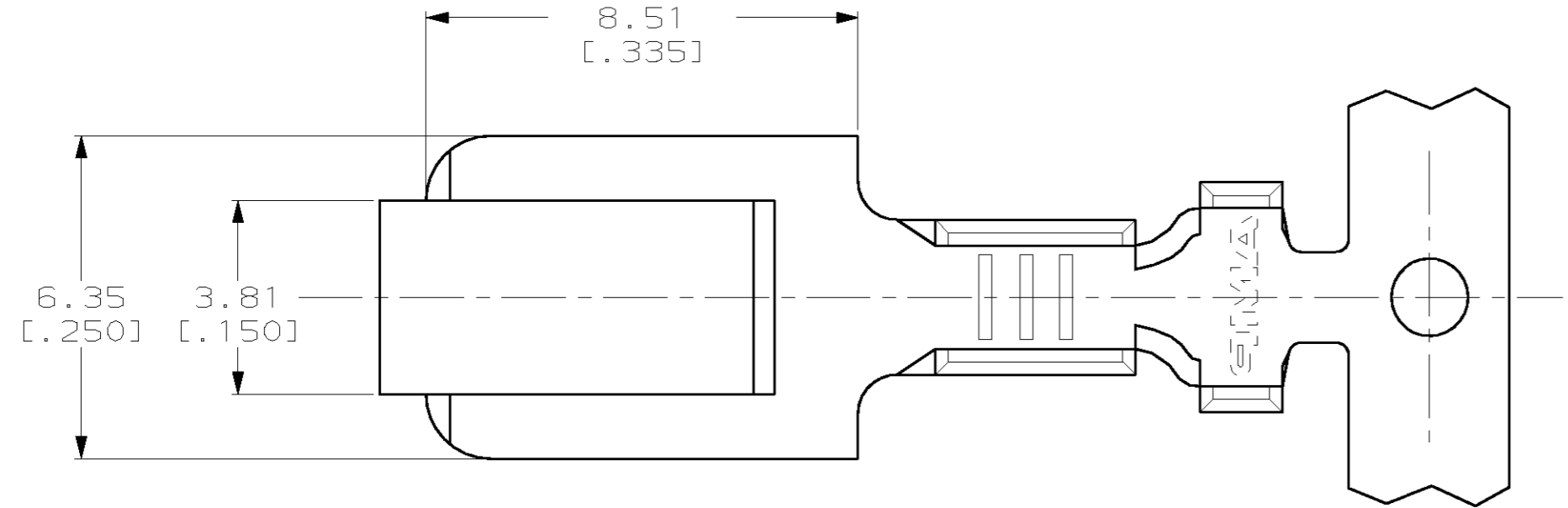


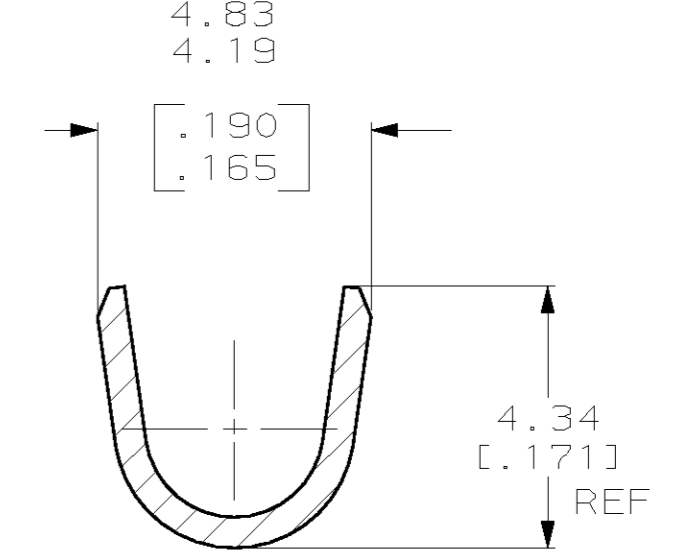
THIS DRAWING IS UNPUBLISHED. RELEASED FOR PUBLICATION .19
 (C) COPYRIGHT 19 BY AMP INCORPORATED. ALL RIGHTS RESERVED.

LOC	DIST	REVISIONS			
P	LTR	DESCRIPTION	DATE	DWN	APVD
AF	50	A	REL PER 0G3A-0364-01	11 JUN01	JR DD

- 1 CONTINUOUS STRIP ON REELS
- 2 WIRE SIZE IS [#20-#16] AWG.
- 3 INSULATION RANGE IS 3.30 [.130] MAX



SECTION X-X



SECTION Y-Y

1217486

1217486-1
PART NO.

THIS DRAWING IS A CONTROLLED DOCUMENT.		DWN JR RUTH 29JAN01	AMP Incorporated Harrisburg, PA 17105-3608	
DIMENSIONS: MM (INCHES)		CHK MS FEHER 29JAN01	NAME D DECKER 29JAN01	
TOLERANCES UNLESS OTHERWISE SPECIFIED:		APVD D DECKER 29JAN01	PRODUCT SPEC -	
0 PLC ±-		APPLICATION SPEC -	SIZE A2	
1 PLC ±-		WEIGHT -	CAGE CODE 00779	DRAWING NO 1217486
2 PLC ±0.25 [.010]		CUSTOMER DRAWING	SCALE 8:1	RESTRICTED TO -
3 PLC ±-			SHEET 1	OF 1
4 PLC ±-			REV A	
ANGLES ±-				
MATERIAL H04 BRASS	FINISH 0.002032 [.000080] MIN TIN			