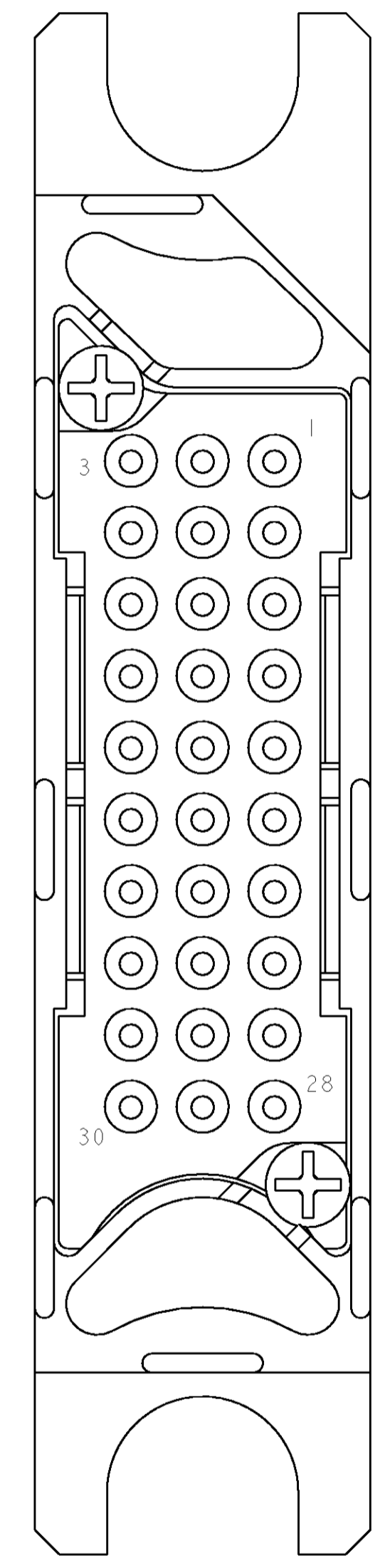
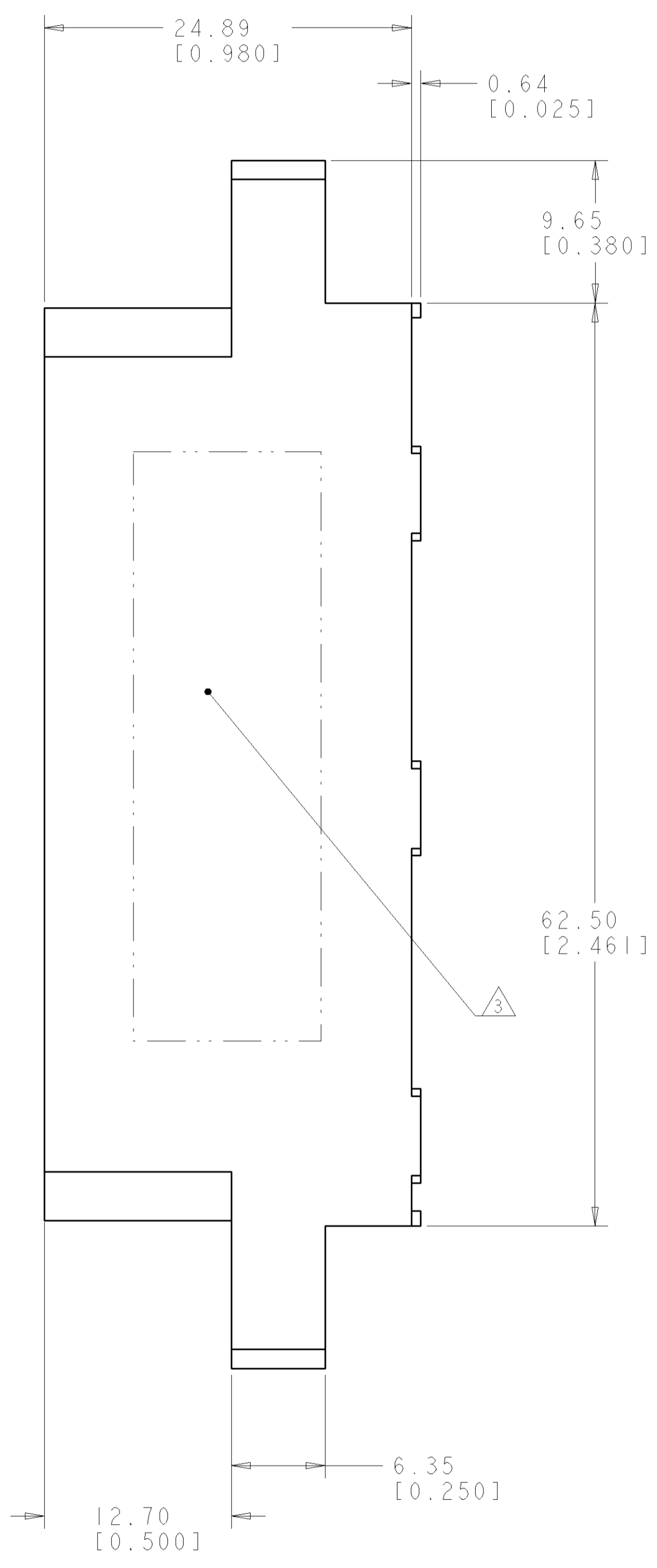
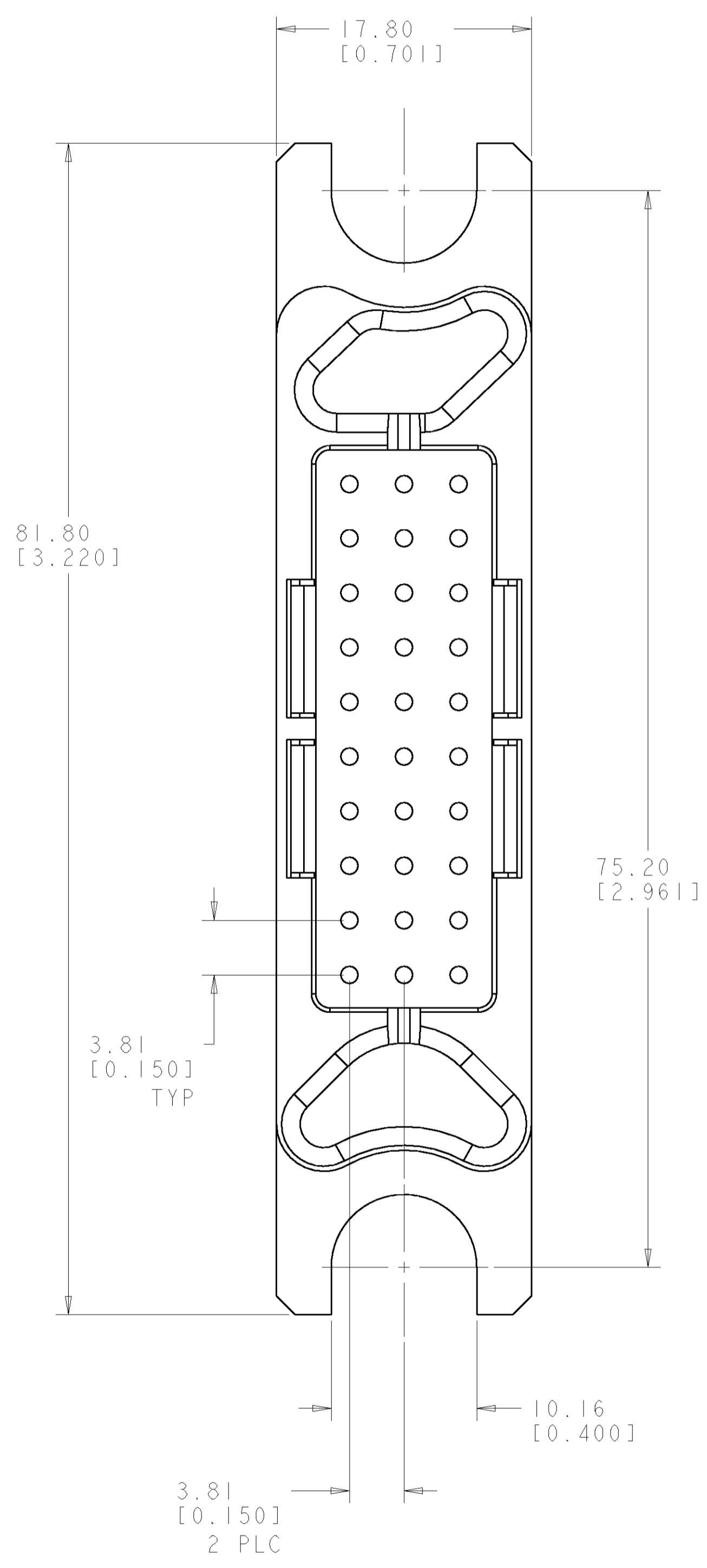


LOC		DIST		REVISIONS			
GP	00	P	LTR	DESCRIPTION	DATE	DWN	APVD
		A		RELEASED	19SEP106	RG	SF



REAR VIEW

- PART NUMBER CHANGES AND OR DESIGN CHANGES AFFECTING THE INTERCHANGEABILITY REQUIRE PRIOR TYCO APPROVAL AND AUTHORIZATION BY REVISION TO THIS DRAWING.
- MATERIAL:  
 INSULATOR: THERMOPLASTIC, GLASS REINFORCED,  
 FLAMMABILITY RATED, COLOR: BLACK  
 RETENTION CLIPS: BERYLLIUM COPPER OR STAINLESS STEEL

△ ITEMS PROVIDED TO THIS SPECIFICATION TO BE PERMANENTLY IDENTIFIED PER THE FOLLWING IDENTIFIER:

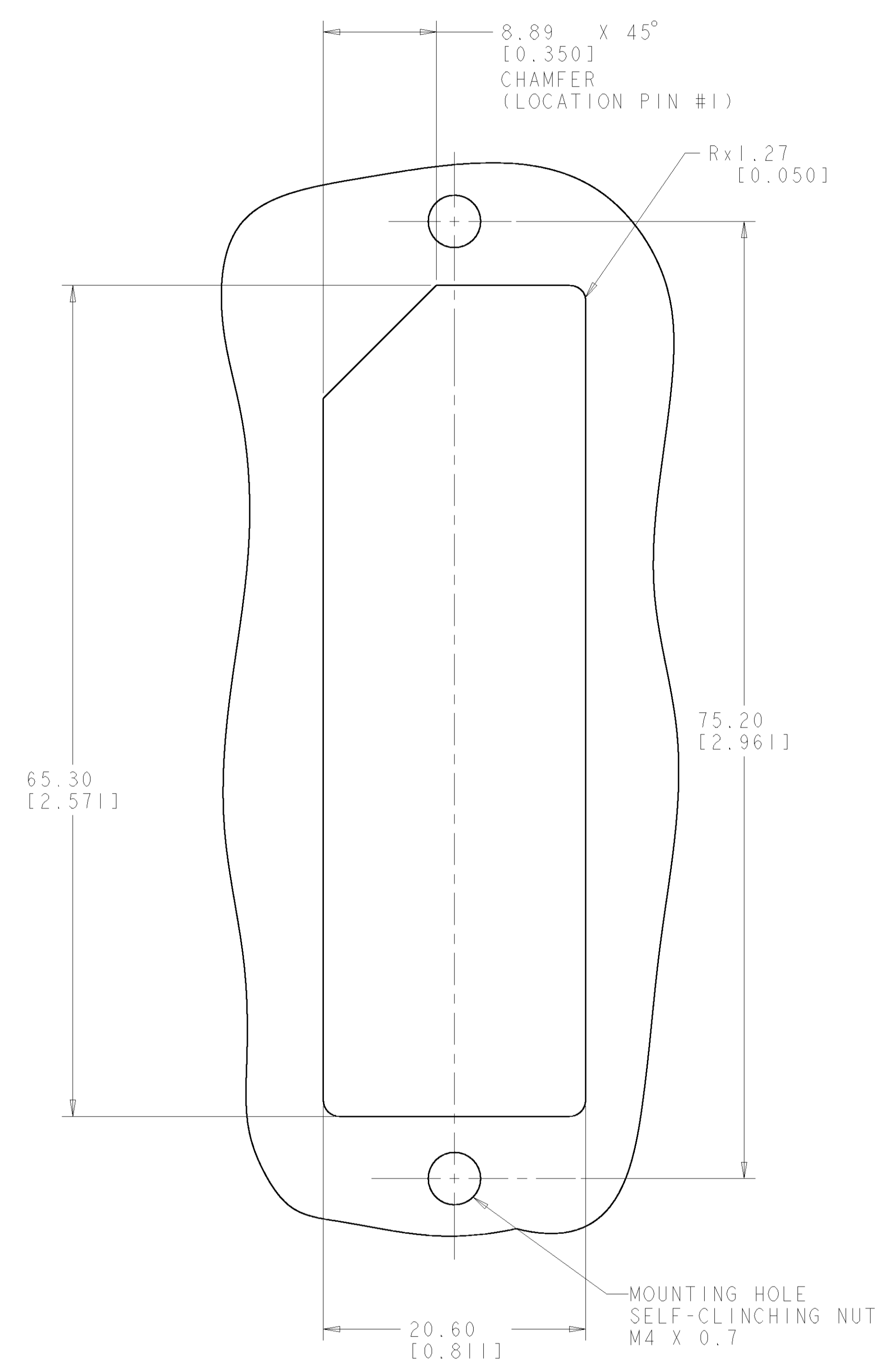
YEAR | WEEK  
 TYCO PART NUMBER | DATE CODE (e.g. 0216)  
 XXXXXXXX-X | XXXX

ELCON MINI DRAWER

DIMENSIONS: mm [ INCHES ]		TOLERANCES UNLESS OTHERWISE SPECIFIED:		DWN R. GRZYBOWSKI 19SEP106		ECHK S. FLICKINGER 19SEP106		APVD S. FLICKINGER 19SEP106		NAME tyco Electronics Tyco Electronics Harrisburg, PA 17105-3608	
0 PLC ±		1 PLC ±.5 (.020)		PRODUCT SPEC		APPLICATION SPEC		SIZE		RESTRICTED TO	
2 PLC ±.25 (.010)		3 PLC ±		WEIGHT		CUSTOMER DRAWING		SCALE 4:1		SHEET 1 OF 2	
4 PLC ±		ANGLES		FINISH		A 00779 C=6648190		REV A			

AS SHOWN	6648190-1
DESCRIPTION	PART NUMBER

LOC	DIST	REVISIONS			
P	LTR	DESCRIPTION	DATE	DWN	APVD
-	-	SEE SHEET 1	-	-	-



**SUGGESTED PANEL CUTOUT**  
 VIEW FROM CONNECTOR MOUNTING SIDE

**ELCON MINI DRAWER**

<small>THIS DRAWING IS UNPUBLISHED. RELEASED FOR PUBLICATION BY TICO ELECTRONICS CORPORATION. ALL RIGHTS RESERVED.</small>		DWN: B. GRZYBOWSKI 19SEPT06 CHK: S. FLICKINGER 19SEPT06 APVD: S. FLICKINGER 19SEPT06	<b>tyco</b> Tyco Electronics Harrisburg, PA 17105-3608
DIMENSIONS: mm [ INCHES ]	TOLERANCES UNLESS OTHERWISE SPECIFIED: 0 PLC ± 1 PLC ±.5 (.020) 2 PLC ±.25 (.010) 3 PLC ± 4 PLC ± ANGLES ±	PRODUCT SPEC APPLICATION SPEC WEIGHT FINISH	NAME: CONNECTOR, PIN 30 POSN. MINI DRAWER SIZE: A   00779   C=6648190 RESTRICTED TO:
MATERIAL: - FINISH: -		WEIGHT: - FINISH: - CUSTOMER DRAWING	SCALE: 4:1 SHEET 2 OF 2 REV A