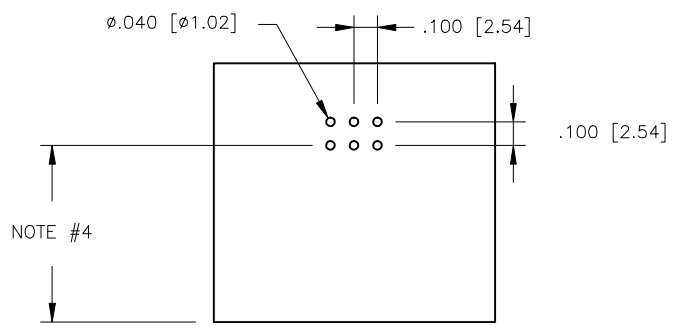
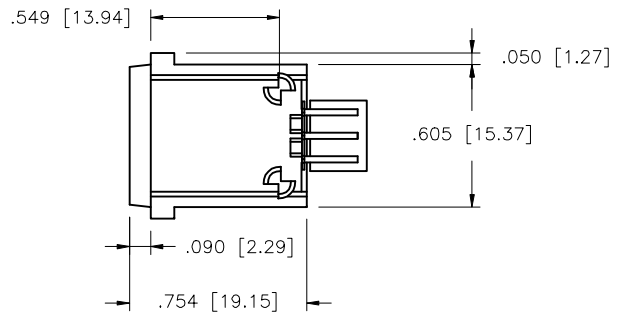
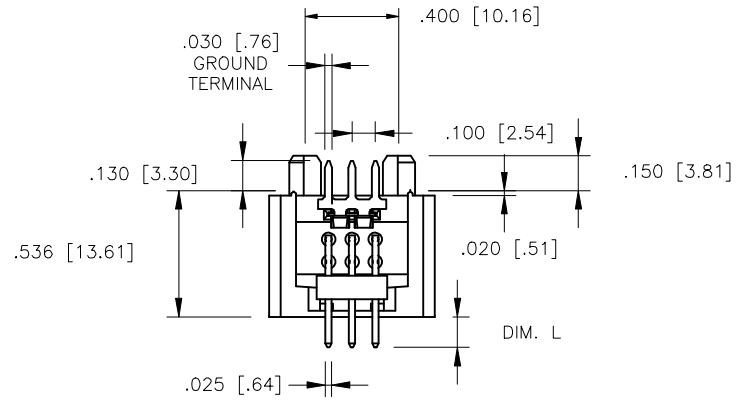
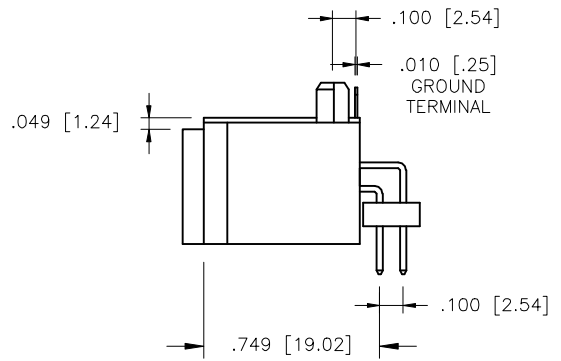


PRODUCT NUMBER
SEE TABLE



RECOMMENDED PCB LAYOUT



Copyright FCJ

mat'l. code				surface	tolerance	projection	product family
				ISO 406	ISO 1101		LATCH-N-LOK
tolerances unless otherwise specified							title
ltr	ecn no	dr	date	angles	linear	INCH/MM	2X3 LNL INVERTED HEADER ASSEMBLY
A	V00651	TFG	3/15/00		.XX±.01/XX±0.3		
B	V01798	TFG	9/14/00		.XXX±.006/XXX±0.13		
C	V10988	TFG	2/15/01	0°±2'	.XXX±.0020/XXX±0.051	scale 1:1	
D	M05-0062	ERE	4/01/05	dr	T. GARLICK	12/14/99	dwg no
E	M06-0285	AGS	7/28/06	engr	T. GARLICK	12/14/99	sheet 1 of 2
F	M07-0301	MHT	6/27/07	chr	T. GARLICK	12/14/99	size
G	M09-0048	MHT	3/12/09	appd	TIM. GARLICK	12/14/99	A3
sheet				revision	F	F	type
index				sheet	1	2	Product Customer Drawing

form A3

98783-XXXLF

LEAD FREE OPTION ⑥ ⑦

	COLOR ④	
1	70343-LT GRAY	OBSOLETE
2	80166 OFF WHITE	
3	70634-DK GRAY	OBSOLETE
4	153 BLACK	
5	70511-SLATE GRAY	OBSOLETE
7	70455 SILVER GRAY	
8	80189-PEARL WHITE	OBSOLETE
9	70419 PEBBLE GRAY	

	PLATING ⑧
0	30u" GXT
3	30u" AU OVER 50u" NI
5	50u" AU OVER 50u" NI

	PIN LENGTH
	DIM L
0	.200/5.08
1	.130/3.30

NOTES:

1. HEADER SHROUD MAT'L: POLYCARBONATE, 94-V0 RATED.
MAT'L FOR 98783-XX4XX (HIGH TEMPERATURE)
20% MIN. GLASS FILLED NYLON UL 94V-0
2. GROUND CONTACT
MAT'L: COPPER ALLOY
PLATING: 200u"/5.08 PURE TIN
3. SIGNAL CONTACT
MAT'L: COPPER ALLOY
PLATING: SEE TABLE

④. NUMBERS SHOWN ARE FOR G.E. LEXAN AND ARE FOR REFERENCE ONLY.

5. THIS ASSEMBLY U.L. APPROVED PER FILE E66906 VOL.1, SEC 84 AND CSA APPROVED PER MASTER FILE LR46923.

⑥. ADD LF SUFFIX AT THE END OF PART NUMBER FOR LEAD FREE OPTION.

⑦. THIS PRODUCT MEETS EUROPEAN UNION DIRECTIVES AND OTHER COUNTRY REGULATION AS DESCRIBED IN GS-22-008.

⑧. PLATING OPTIONS:
MAY BE EITHER GOLD OR GXT PLATED AT MANUFACTURER'S OPTION.



Copyright FCJ

mat'l. code		surface ISO 1302	tolerance ISO 406 ISO 1101	projection 	product family LATCH-N-LOK
ltr	ecn no	dr	date	title 2X3 LNL INVERTED HEADER ASSEMBLY	
F				INCH/MM 	scale 1:1
				dwg no 98783 sheet 2 of 2 size A3	
				type Product Customer Drawing	
dr		T. GARLICK	12/14/99		
engr		T. GARLICK	12/14/99		
chr		T. GARLICK	12/14/99		
		appd	TIM. GARLICK	12/14/99	
sheet	revision				
index	sheet				

form A3