

THIS DRAWING IS UNPUBLISHED.

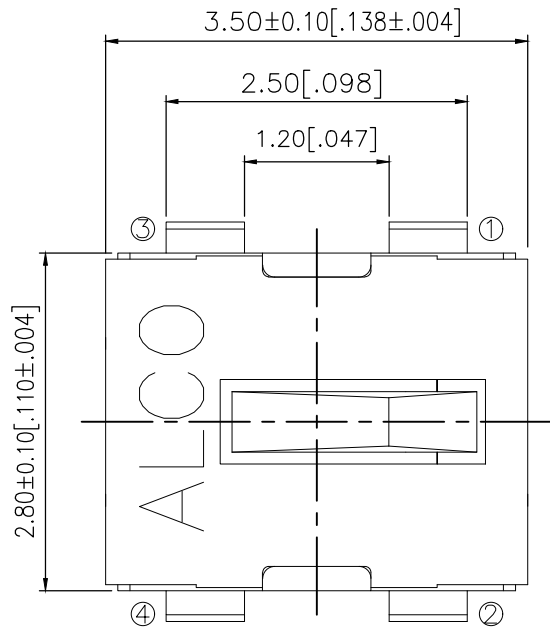
RELEASED FOR PUBLICATION

© COPYRIGHT - TE Connectivity Ltd.

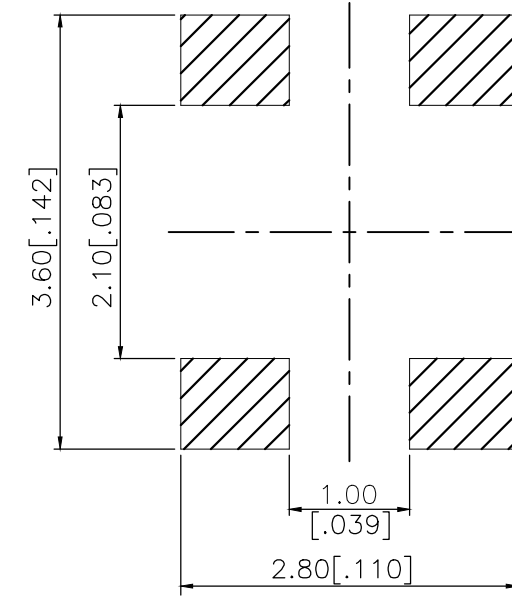
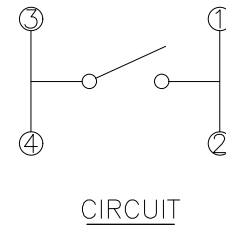
ALL RIGHTS RESERVED.

REVISIONS

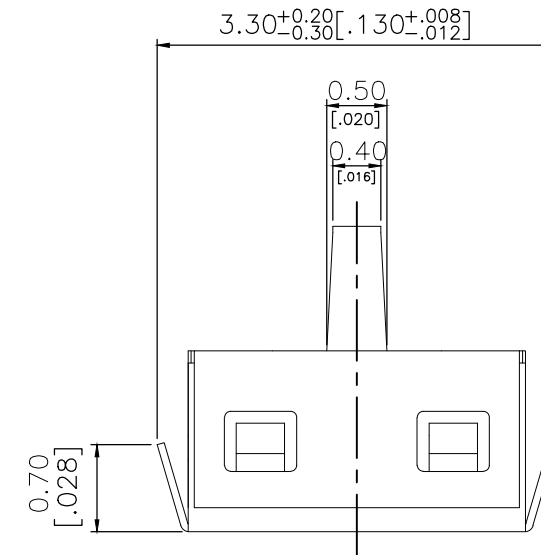
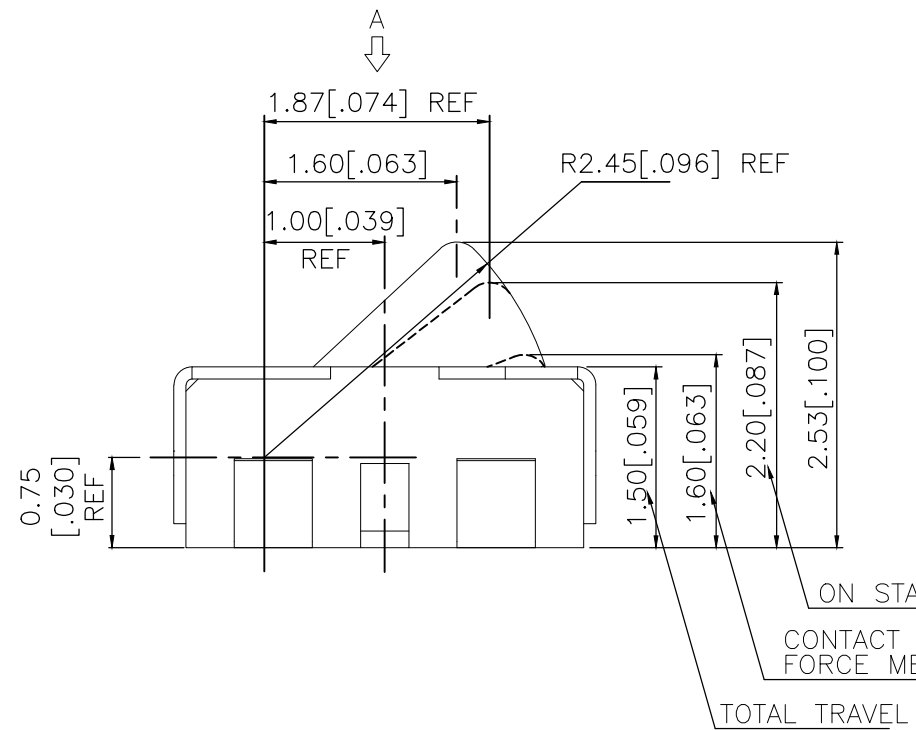
P	LTR	DESCRIPTION	DATE	DWN	APVD
	A	ECR-18-012767	16AUG2018	RSM	AS



2331374-1  
AS SHOWN

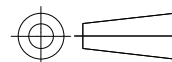


P.C.B. LAYOUT  
(VIEW FROM THE DIRECTION A)



THIS DRAWING IS A CONTROLLED DOCUMENT.

DIMENSIONS:  
mm [INCHES]



TOLERANCES UNLESS OTHERWISE SPECIFIED:

0 PLC	± -
1 PLC	± -
2 PLC	± 0.20 [.008]
3 PLC	± -
4 PLC	± -
ANGLES	± -

MATERIAL

FINISH

DWN 07MAR2018

GANESH C M

CHK 07MAR2018

ALEXANDER SHARPE

APVD 07MAR2018

ALEXANDER SHARPE

PRODUCT SPEC

APPLICATION SPEC

WEIGHT

0

CUSTOMER DRAWING



TE Connectivity Ltd.

NAME  
SWITCH, DETECTOR, JJA SERIES, 3.5X2.8mm,  
VERTICAL, SMT

SIZE CAGE CODE DRAWING NO RESTRICTED TO

A3 00779 C-2331374

SCALE

NTS

SHEET 1 of 3

REV A

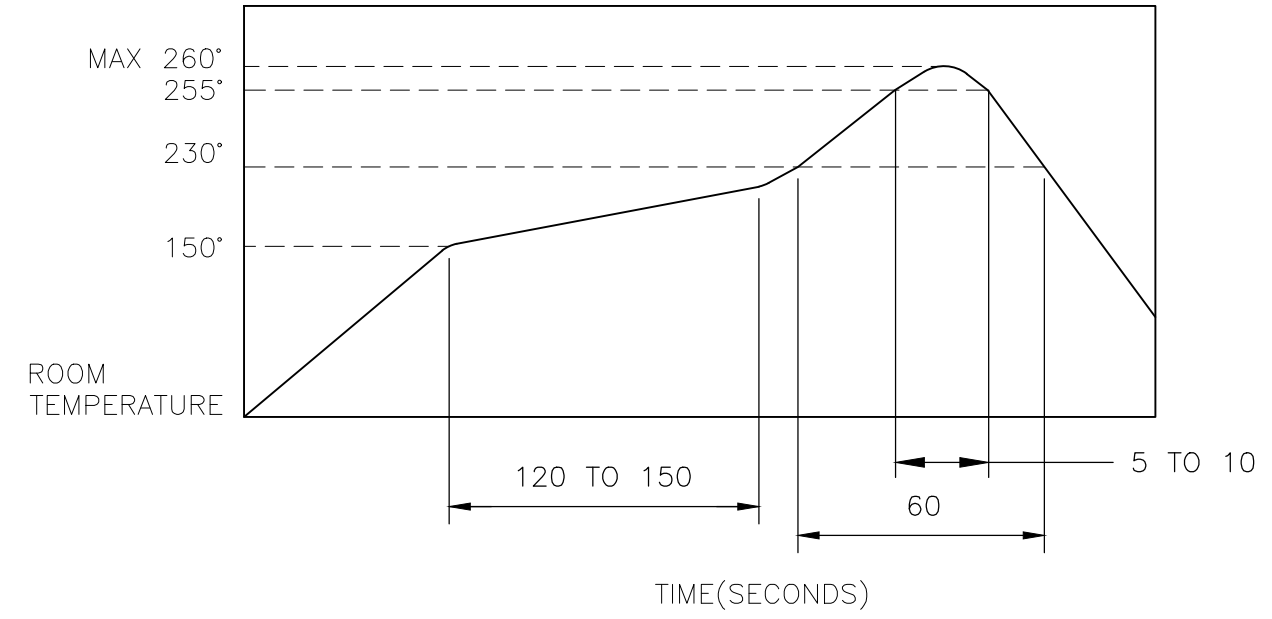
THIS DRAWING IS UNPUBLISHED. RELEASED FOR PUBLICATION  
 © COPYRIGHT - TE Connectivity Ltd. ALL RIGHTS RESERVED.

REVISIONS					
P	LTR	DESCRIPTION	DATE	DWN	APVD
-	-	SEE SHEET 1	-	-	-

NOTES:

- MATERIALS**  
 ACTUATOR: THERMOPLASTIC, BLACK  
 BODY: THERMOPLASTIC, BLACK  
 COVER: STAINLESS STEEL  
 TERMINAL: COPPER ALLOY, SILVER PLATE  
 SPRING: COPPER ALLOY, SILVER PLATE
- COMPLIANCE:**  
 ALL MATERIALS AND FINISHES SHALL COMPLY WITH EU DIRECTIVE 2002/95/EC OF 27JAN2003(RoHS)
- SPECIFICATIONS:**  
 RATING: 1mA 5V DC  
 CONTACT RESISTANCE: 2Ω MAXIMUM(INITIAL)  
 INSULATION RESISTANCE: 100MΩ MINIMUM AT 100 V DC  
 DIELECTRIC STRENGTH: 100 V AC, 1 MINUTE  
 OPERATING LIFE: 100,000 CYCLES WITH LOAD  
 TOTAL TRAVEL: 1.03 [.041]  
 ACTUATION FORCE: 50gf MAXIMUM  
 OPERATING TEMPERATURE: -10°C TO 60° C  
 STORAGE TEMPERATURE: -20°C TO 70°C

4. SOLDER CONDITIONS:  
SMT



THE CONDITION MENTIONED ABOVE IS THE TEMPERATURE ON THE CU FOIL OF THE PCB SURFACE. THERE ARE CASES WHERE THE BOARD'S TEMPERATURE GREATLY DIFFERS FROM THE SWITCH'S SURFACE. DO NOT ALLOW SWITCH'S SURFACE TEMPERATURE TO EXCEED 260°C

MANUAL SOLDERING

SOLDERING TEMPERATURE	MAX. 350°C.
CONTINUOUS SOLDERING TIME	MAX. 5 SECONDS.

PRECAUTIONS IN HANDLING

- CARE SHOULD BE EXERCISED SO THAT FLUX FROM THE UPPER PART OF THE PRINTED CIRCUIT BOARD DOES NOT ADHERE TO THE SWITCH.

JJAV0UJ253NONMRTR	2331374-1
SMART PART NUMBER	PART NUMBER

THIS DRAWING IS A CONTROLLED DOCUMENT.		DWN	07MAR2018	TE Connectivity Ltd.			
DIMENSIONS: mm [INCHES]		CHK	07MAR2018				
TOLERANCES UNLESS OTHERWISE SPECIFIED:		APVD	07MAR2018				
0 PLC ± - 1 PLC ± - 2 PLC ± 0.20 [.008] 3 PLC ± - 4 PLC ± - ANGLES ± -		NAME					
MATERIAL		FINISH		SWITCH, DETECTOR, JJA SERIES, 3.5X2.8mm, VERTICAL, SMT			
-		-		SIZE	CAGE CODE	DRAWING NO	RESTRICTED TO
-		-		A3	00779	C-2331374	-
CUSTOMER DRAWING				SCALE	NTS	SHEET	2 OF 3
				REV	A		

