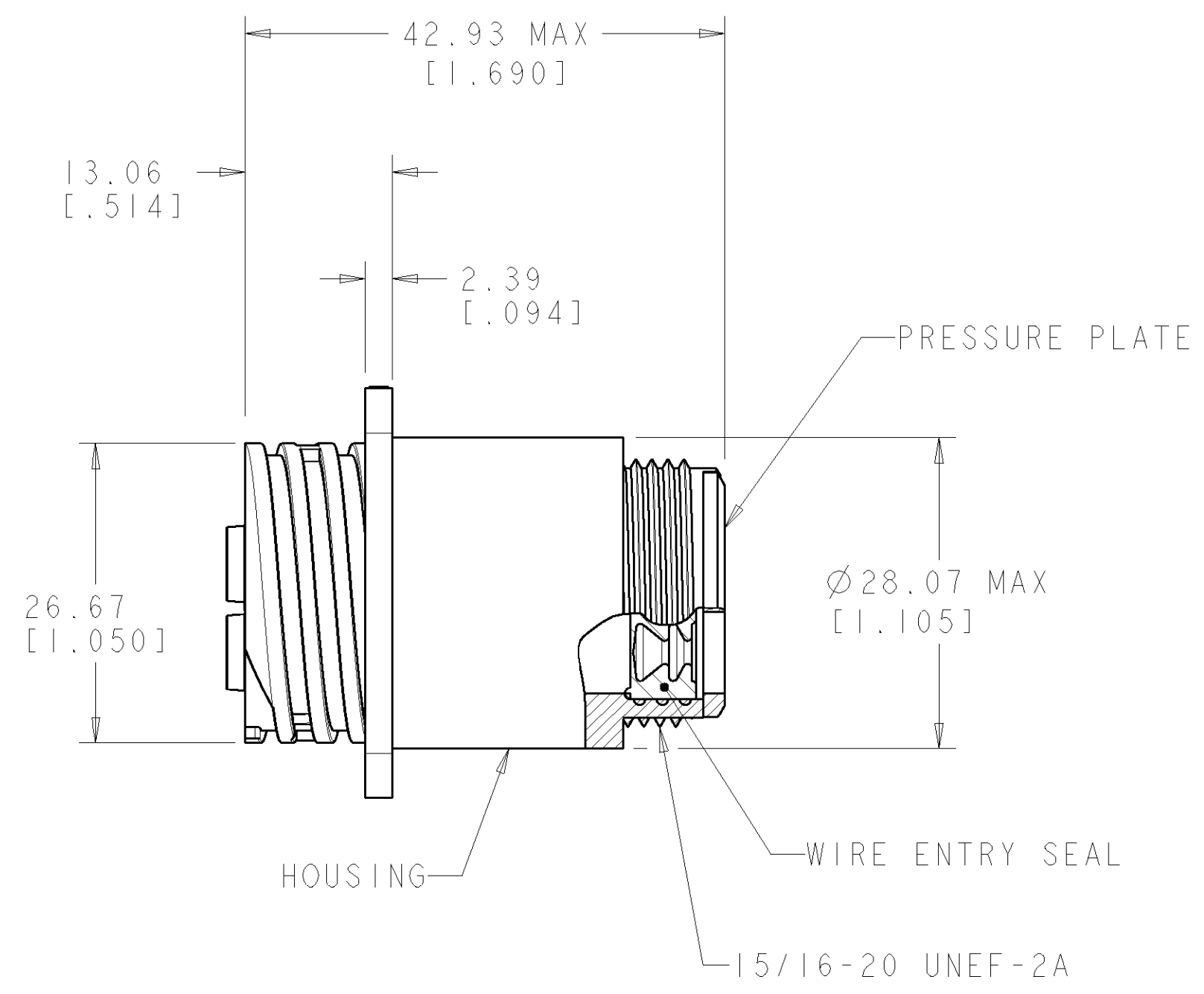
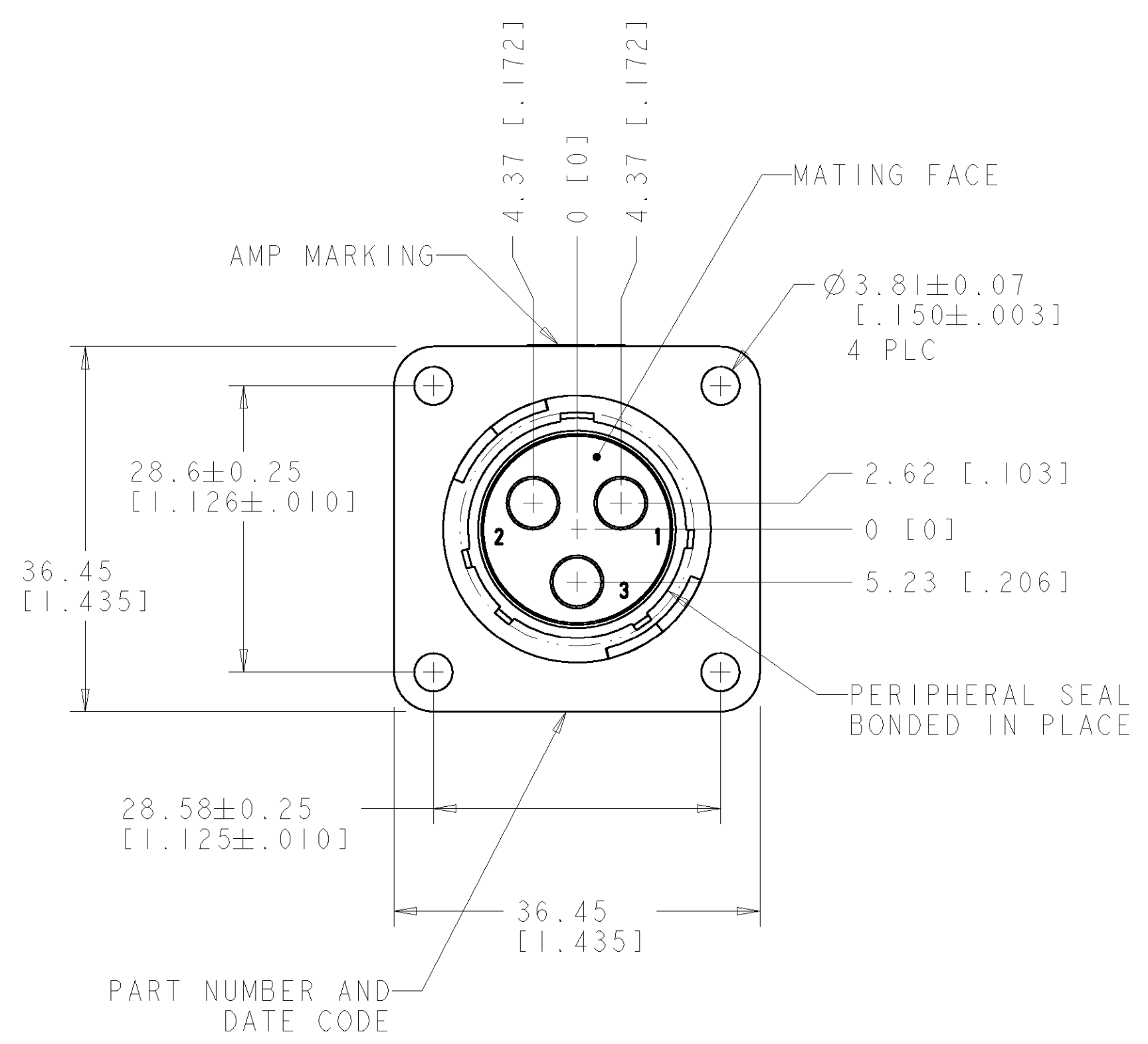
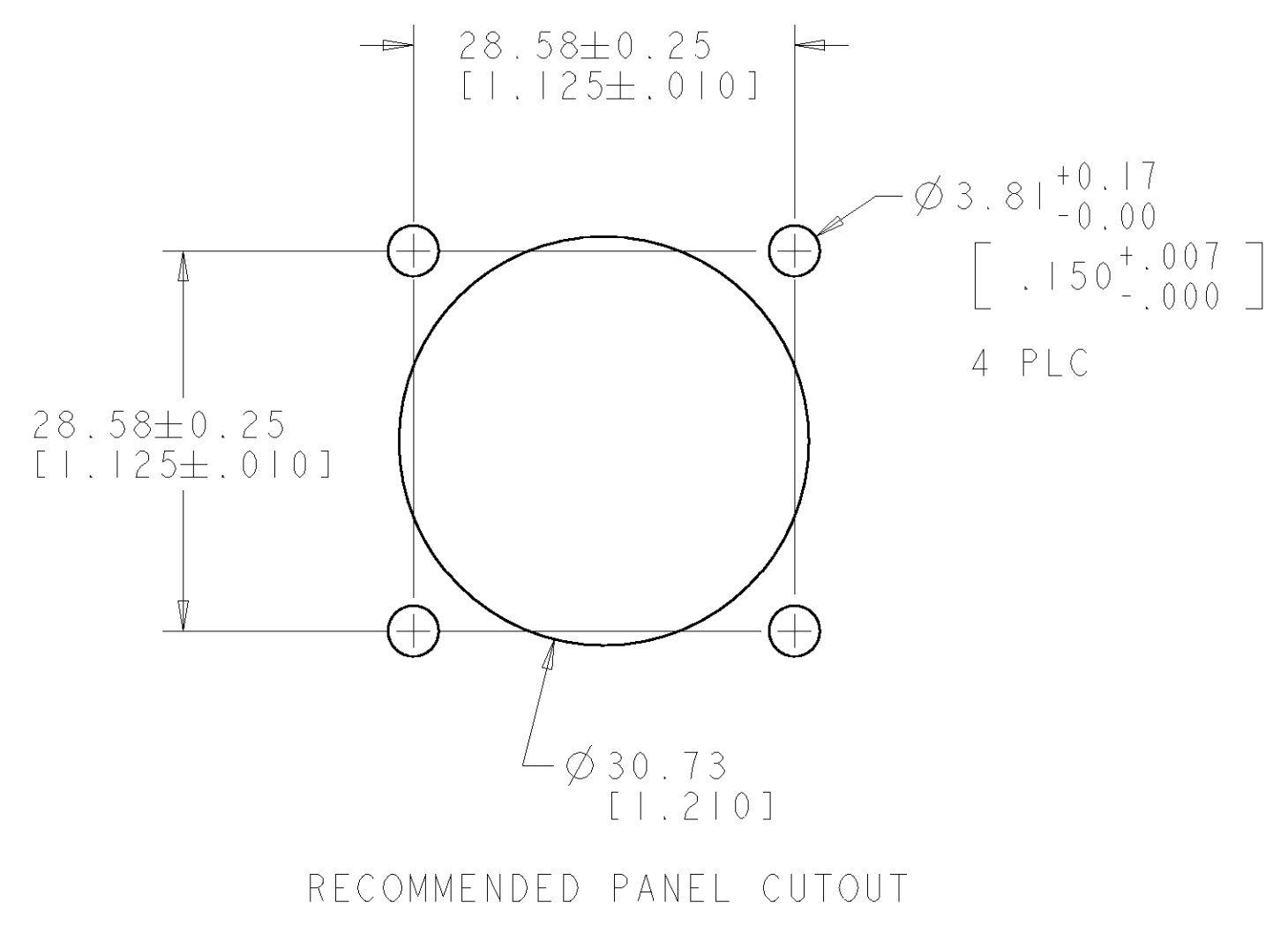


THIS DRAWING IS UNPUBLISHED. RELEASED FOR PUBLICATION  
 © COPYRIGHT BY ALL RIGHTS RESERVED.

LOC		DIST		REVISIONS			
P	LTR	DESCRIPTION	DATE	DWN	APVD		
FT	0						
B1		REVISED PER ECO-11-005294	30APR11	RK	HMR		



⚠ HOUSING & PRESSURE PLATE: NYLON, BLACK.  
 WIRE ENTRY SEAL: ELASTOMER, RED-IRON OXIDE.  
 PERIPHERAL SEAL: POLYESTER, BLACK.  
 2. CONNECTOR WILL ACCEPT (3) POWER SOCKET CONTACTS.



3.81-6.73 [.150-.265]	788189-2
2.41-5.21 [.095-.205]	788189-1
INSULATION RANGE	PART NUMBER

DIMENSIONS: mm [INCHES]		TOLERANCES UNLESS OTHERWISE SPECIFIED:		DWN S. WELDON 07FEB2000	<b>TE Connectivity</b>
		0 PLC ± 1 PLC ± 2 PLC ±0.02 3 PLC ± 4 PLC ±		CHK K. DOWHOWER 07FEB2000	
MATERIAL		FINISH		APVD K. DOWHOWER 07FEB2000	
-		-		PRODUCT SPEC 108-1579 APPLICATION SPEC - WEIGHT -	
CUSTOMER DRAWING				SCALE 2:1	NAME RECEPTACLE ASSY, SERIES 5, REVERSE SEX, SIZE 17-3, CIRCULAR PLASTIC CONNECTOR
SHEET 1 OF 1		REV B1		SIZE A2	RESTRICTED TO
00779		788189		CAGE CODE	DRAWING NO