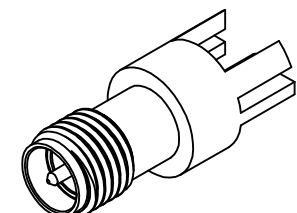
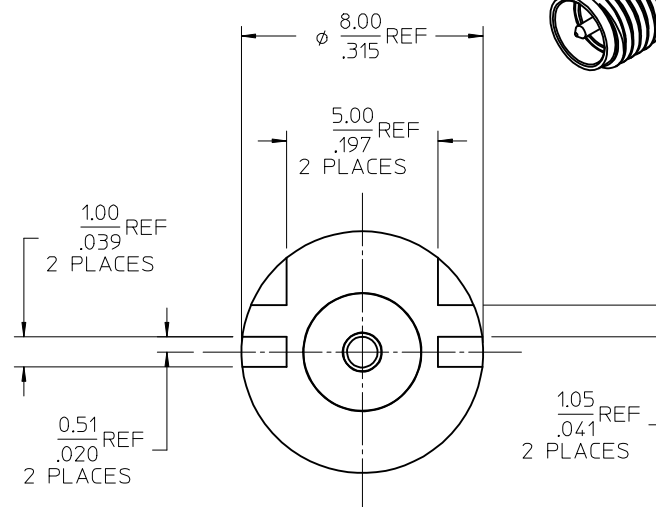
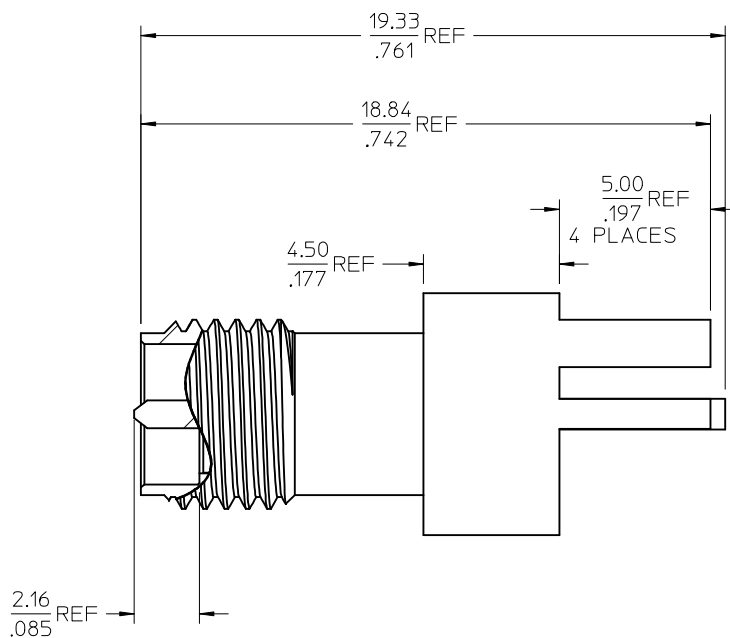


MATERIALS AND FINISHES

BODY BRASS
PLATED GOLD

CENTER CONTACT BRASS
PLATED GOLD

INSULATOR TEFLON



PART # 73251-0680

CHG: REDREW IN SD
CHANGED ALL DIMS
FROM IN/MM TO MM/IN

EC NO: URF2007-0261
DRWN: FLAHERTY 2007/01/04
CHKD: 2007/01/04
APPR: WIENER 2007/01/04

QUALITY SYMBOLS

▽=0
▽=0

GENERAL TOLERANCES (UNLESS SPECIFIED)

	mm	INCH
4 PLACES	± .005	± .0004
3 PLACES	± .003	± .0002
2 PLACES	± .002	± .0001
1 PLACE	± .001	± .00005

ANGULAR ± 2 °

DRAFT WHERE APPLICABLE
MUST REMAIN
WITHIN DIMENSIONS

DIMENSION STYLE
MM/IN

DRAWN BY DATE
GMH 1998/11/17

CHECKED BY DATE
DHG 1998/11/19

APPROVED BY DATE
GMH 1998/11/19

MATERIAL NO.
732510680

SIZE
C

SCALE
METRIC

DESIGN UNITS
METRIC

THIRD ANGLE PROJECTION

TITLE
SMA JACK, EDGE MOUNT
REV POLAR, 50 OHMS,
EWR-3274 SMA-J/PCB

MOLEX INCORPORATED

DOCUMENT NO.
SD-73251-068

SHEET NO.
1 OF 1

THIS DRAWING CONTAINS INFORMATION THAT IS PROPRIETARY TO MOLEX INCORPORATED AND SHOULD NOT BE USED WITHOUT WRITTEN PERMISSION