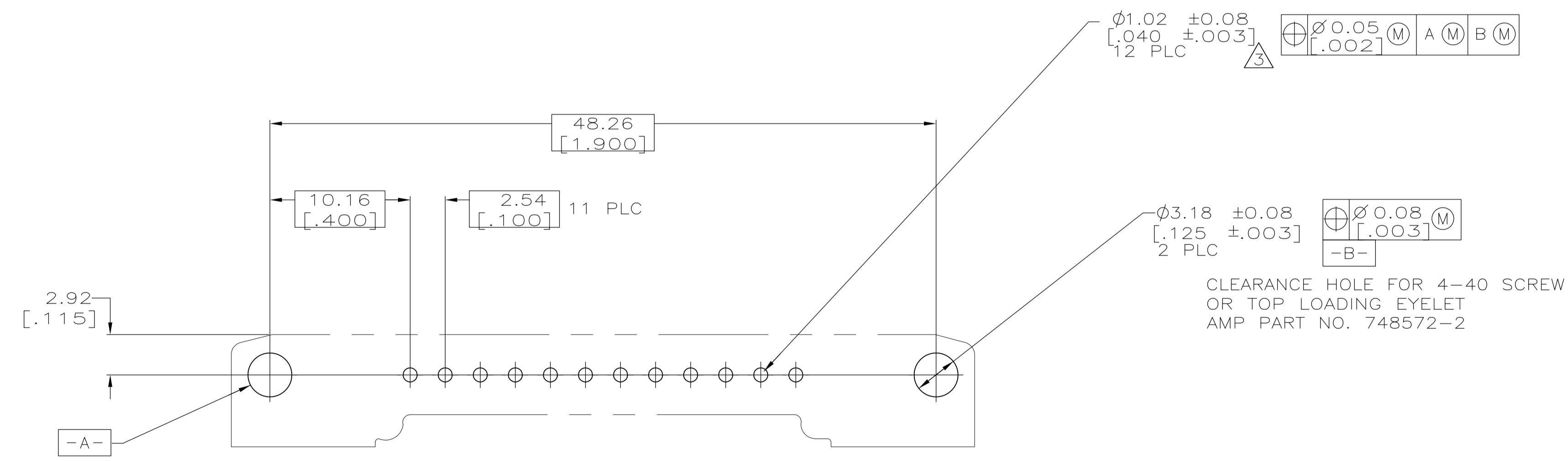
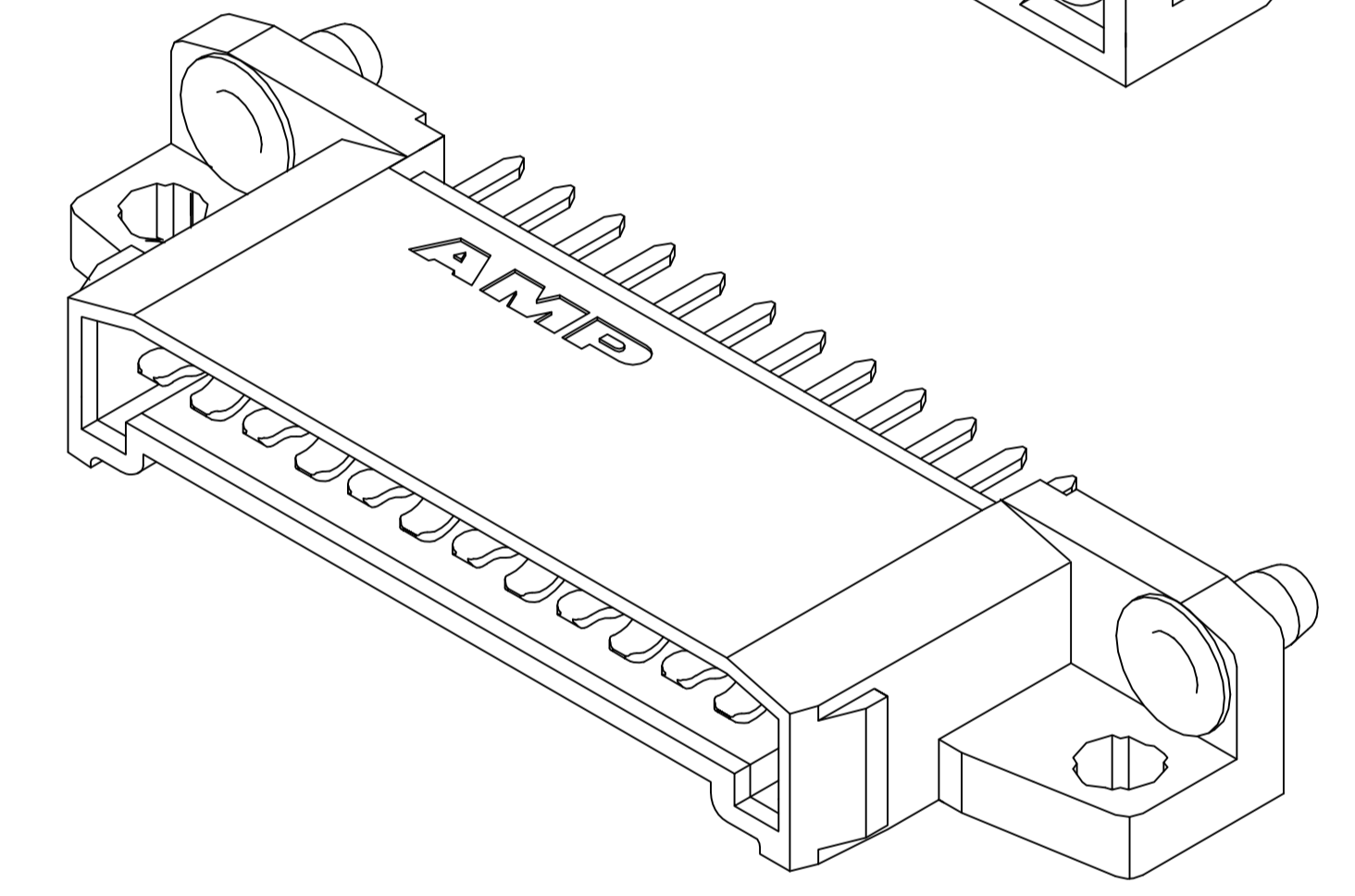
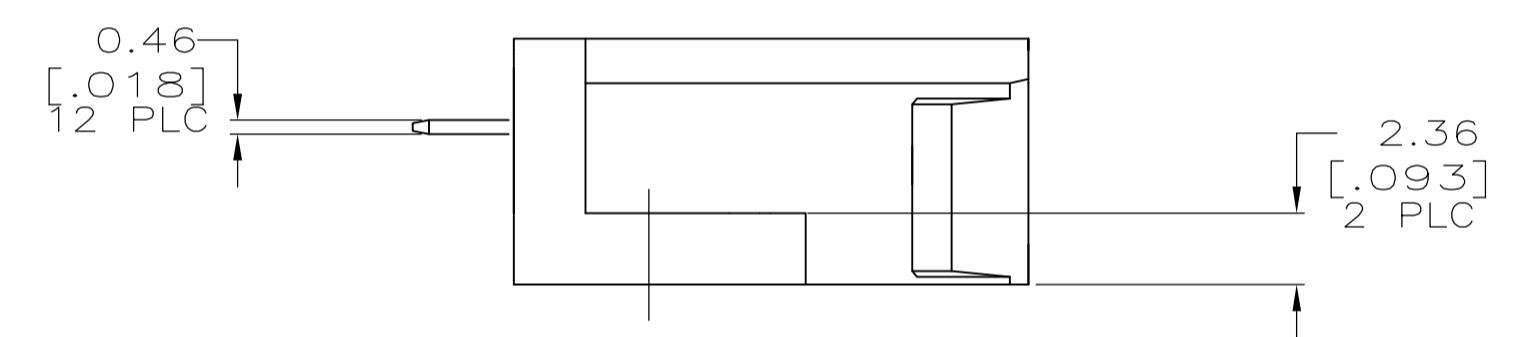
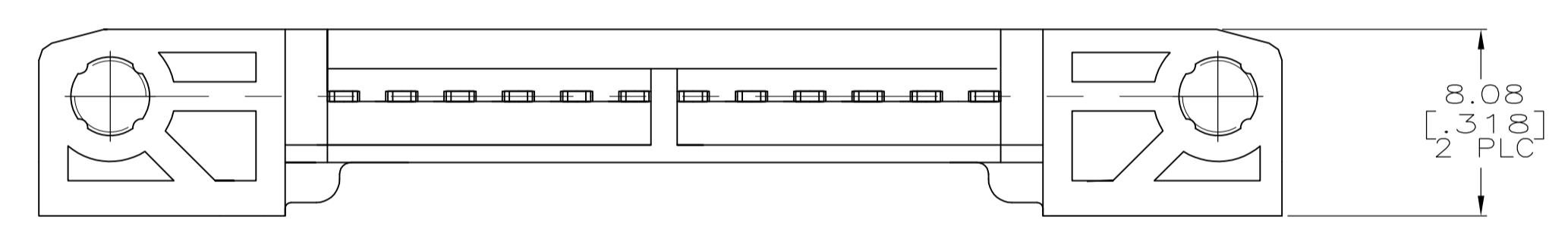
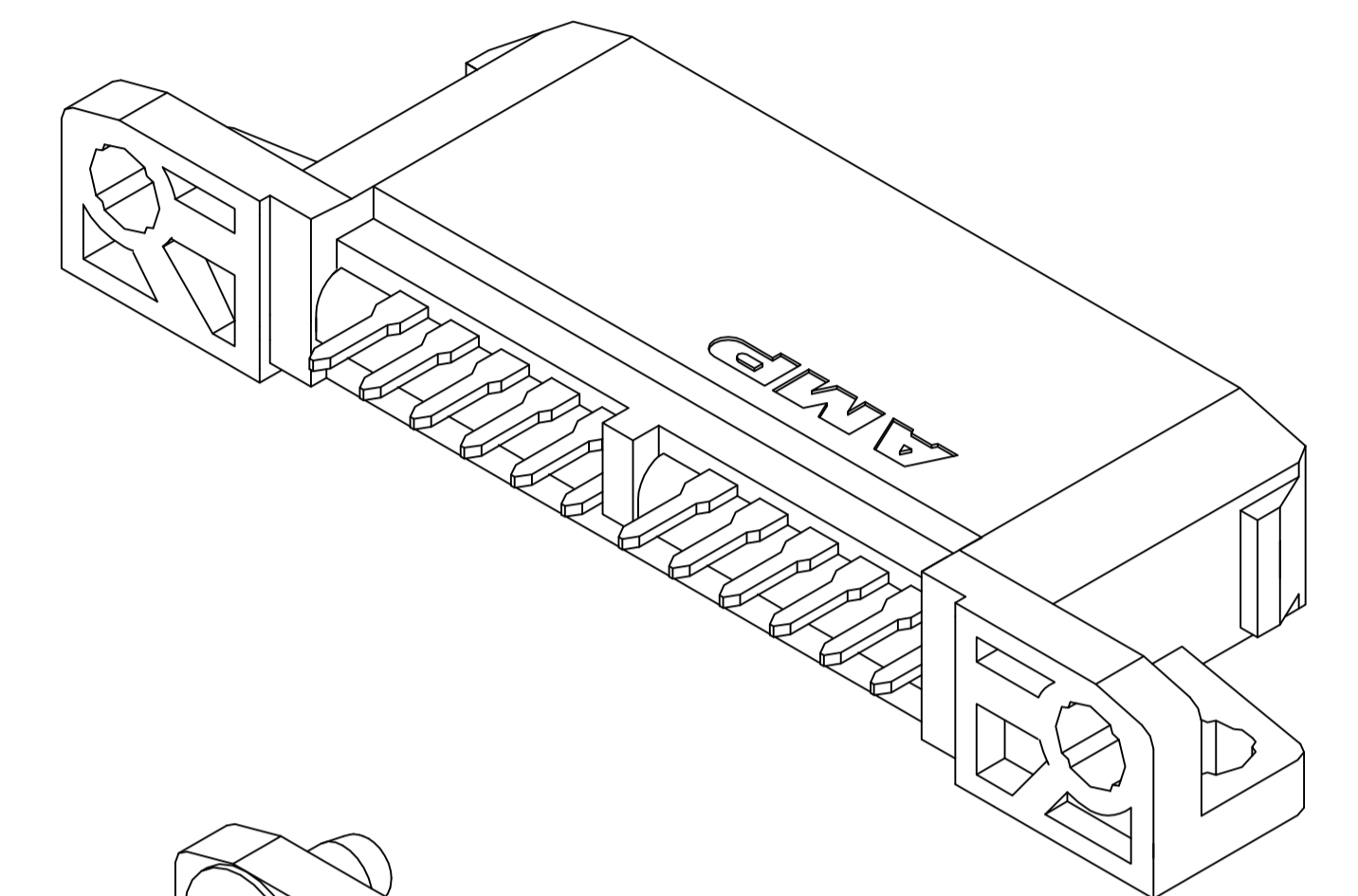
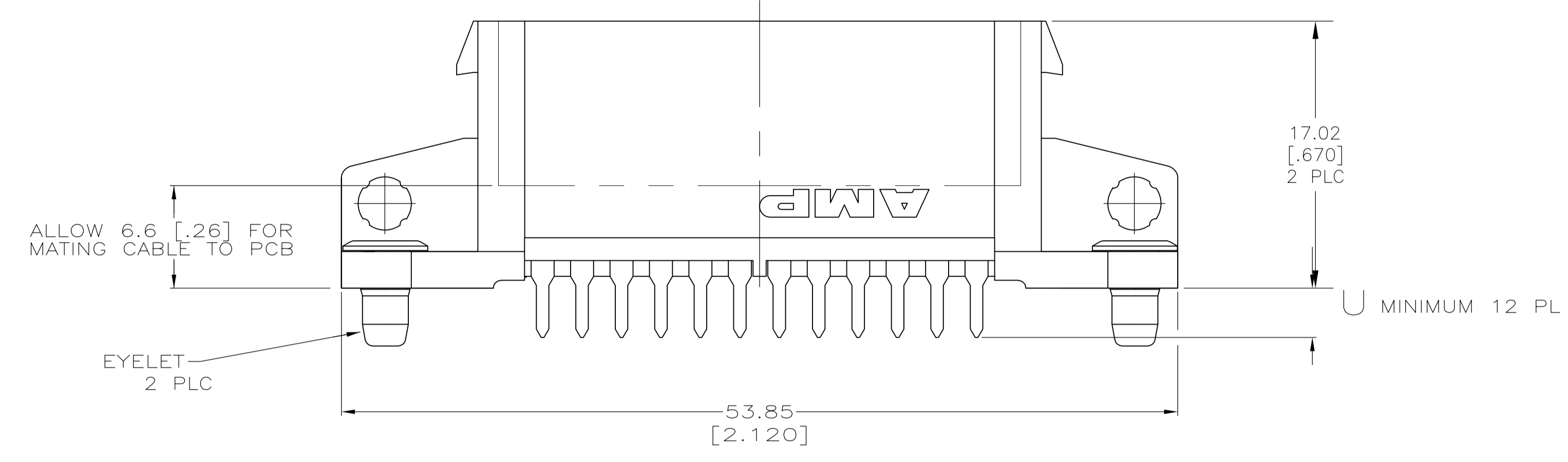


AMPPOWER is a registered trademark of AMP Incorporated.

- 1 HOUSING MAT'L: POLYESTER
- 2 HOUSING MAT'L: POLYESTER HIGH TEMP
- 3 HOLE DIAMETER AFTER PLATING.
- 4 SOLDER TAIL: TIN-LEAD OVER NICKEL
- 5 SOLDER TAIL: SILVER OVER NICKEL
- 6 PRODUCT AND PROCESSING MUST MEET REQUIREMENTS OF TYCO ELECTRONICS STANDARD 230-702.



OBSOLETE	WITH EYELETS	1	5.72 [.225]	1.57 [.062] TO 4.75 [.187]	2-765206-2
OBSOLETE	WITH EYELETS	2	4.19 [.165]	1.57 [.062] TO 3.17 [.125]	2-765206-1
	WITH EYELETS	2/6	3.15 [.124]	1.57 [.062] TO 2.36 [.093]	2-765206-0
	W/O EYELETS	2/6	5.72 [.225]	1.57 [.062] TO 4.75 [.187]	1-765206-9
	W/O EYELETS	2/6	4.19 [.165]	1.57 [.062] TO 3.17 [.125]	1-765206-8
	W/O EYELETS	2/6	3.15 [.124]	1.57 [.062] TO 2.36 [.093]	1-765206-7
OBSOLETE			5.72 [.225]	4.75 [.187]	1-765206-6
OBSOLETE		2	7.49 [.295]	6.35 [.250]	1-765206-5
OBSOLETE	WITH EYELETS	4	4.19 [.165]	3.17 [.125]	1-765206-4
	WITH EYELETS	4	3.15 [.124]	1.57 [.062] TO 2.36 [.093]	1-765206-3
OBSOLETE		1	5.72 [.225]	4.75 [.187]	1-765206-2
OBSOLETE		1	7.49 [.295]	6.35 [.250]	1-765206-1
OBSOLETE		1	4.19 [.165]	3.17 [.125]	1-765206-0
OBSOLETE		1	5.72 [.225]	4.75 [.187]	765206-9
OBSOLETE		1	3.15 [.124]	1.57 [.062] TO 2.36 [.093]	765206-8
OBSOLETE		1	7.49 [.295]	6.35 [.250]	765206-7
OBSOLETE		1	4.19 [.165]	3.17 [.125]	765206-6
OBSOLETE	W/O EYELETS	1	3.15 [.124]	1.57 [.062] TO 2.36 [.093]	765206-5
OBSOLETE	W/O EYELETS	1	5.72 [.225]	4.75 [.187]	765206-4
OBSOLETE		1	7.49 [.295]	6.35 [.250]	765206-3
OBSOLETE		1	4.19 [.165]	3.17 [.125]	765206-2
OBSOLETE		1	3.15 [.124]	1.57 [.062] TO 2.36 [.093]	765206-1

RECOMMENDED PC BOARD LAYOUT  
 2.54 [.100] CENTERLINES

THIS DRAWING IS A CONTROLLED DOCUMENT.

DIMENSIONS: INCHES	TOLERANCES UNLESS OTHERWISE SPECIFIED:	DIN J.K. DALY 12-08-89	TE Connectivity
	0 PLC ± -	CIK CMS 12-14-89	AMPPOWER Wave Crimp System
	1 PLC ± -	APVD -	VERTICAL HEADER ASSEMBLY
	2 PLC ± 0.25 [01]	NAME	2.54 [.100] CENTERLINES
	3 PLC ± 0.13 [005]	PRODUCT SPEC	108-1308
	4 PLC ± -	APPLICATION SPEC	114-49005
	ANGLES ± -	SIZE	A1
MATERIAL CONTACT, COPPER ALLOY	FINISH SILVER ON MATING END, ALL OVER NICKEL.	WEIGHT	C=765206
		CUSTOMER DRAWING	SCALE 4:1 SHEET 1 OF 1 REV S