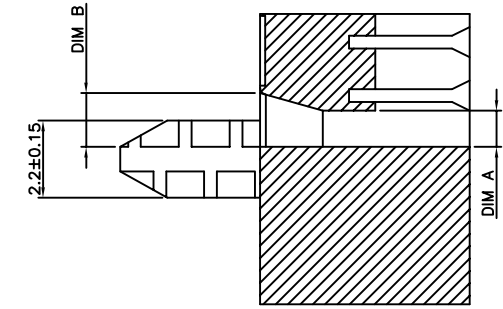
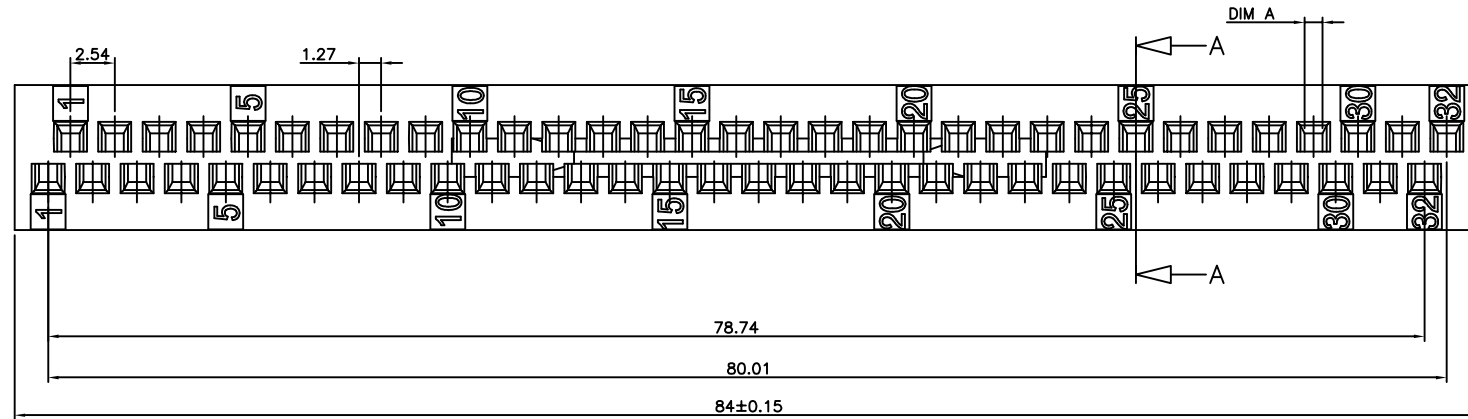
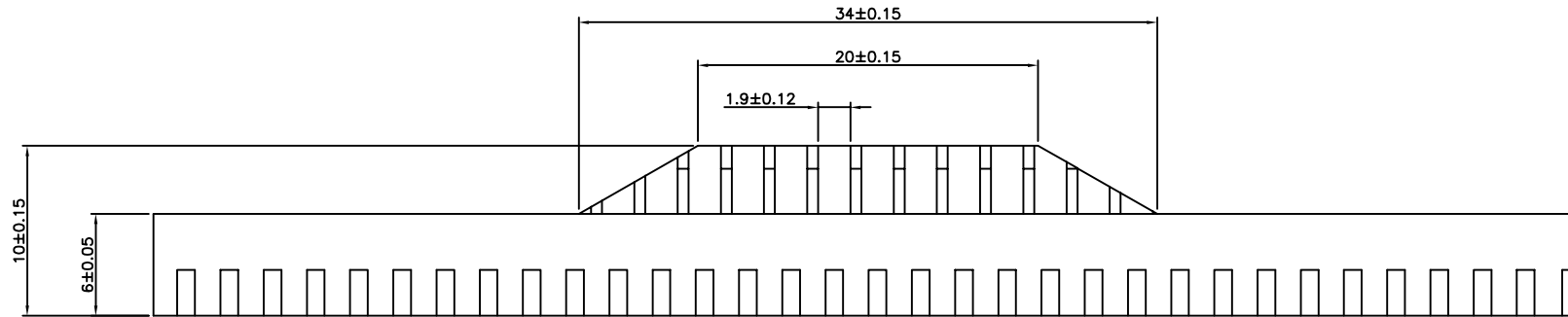


PRODUCT NUMBER	DIM A	DIM B
65153-001	1.04±0.04	1.54±0.12
65153-002	1.04±0.04	1.54±0.12

MATERIAL: THERMOPLASTIC POLYESTER  
GREY, 30% GLASS FILLED  
FLAME RETARDANT UL-94-V0.

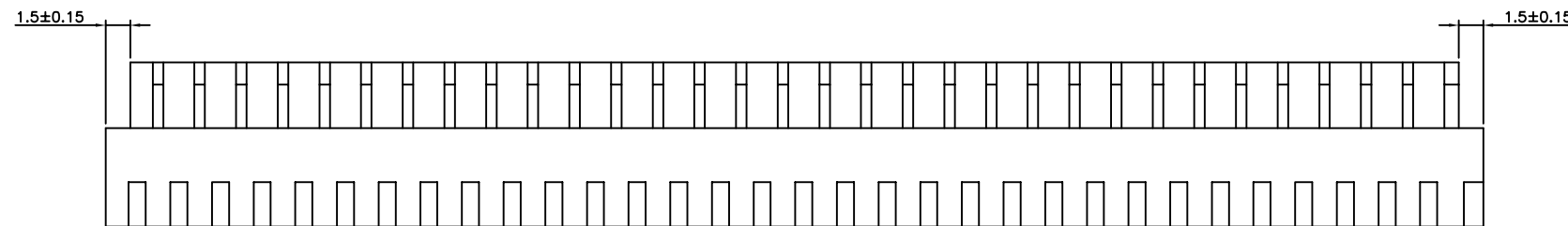


SECTION A-A  
SCALE 10:1



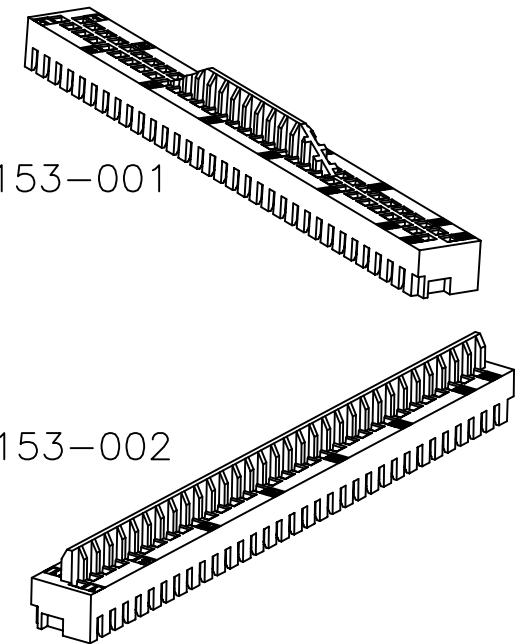
65153-001

65153-001



65153-002

65153-002



NOTES:-

1. THIS PRODUCT MEETS EUROPEAN UNION DIRECTIVES AND OTHER COUNTRY REGULATIONS AS DESCRIBED IN GS-22-008.
2. LEADFREE OR RoHS DIRECTIVE LABELLING TO BE PROVIDED AS PER GS-14-920.
3. " LF " SUFFIX TO PRODUCT NUMBER FOR RoHS COMPATIBLE/ LEADFREE VERSION.
4. PARTS WITH AND WITHOUT "LF " SUFFIX ARE FORM-FIT AND FUNCTIONALLY IDENTICAL. " LF " SUFFIX PROVIDED FOR PART NUMBER STANDARDISATION OF PART THAT MEETS RoHS REQUIREMENTS.

mat'l. code		surface		tolerance		projection		product family	
SEE NOTE 1		ISO 1302		ISO 406 ISO 1101		mm		BACKPANEL	
ltr	ecn no	dr	date	tolerances unless otherwise specified		mm		title	
G	H20773	JVZ	1992-12-02	angles	linear	mm		CABLE CONN.	
H	H00190	VIB	2000-05-01			scale -		PIERCE BLOCK 2x32 POS.	
J	H00404	VIB	2000-10-03						
K	F20125	DLE	2002-01-24	dr	D.LEGRAND	2002-01-24		dwg no	
L	I05-0248	MINI	2005-11-22	enrg	J.F.NOTTEAU	2002-01-24		sheet 1 of 1	
M	I06-0068	MINI	2006-06-01	chr	RAKHEE GEORGE	2006-06-01		size	
				appd	RAKHEE GEORGE	2006-06-01		A3	
sheet index		revision	M					type	
		sheet	1					Product Customer Drawing	