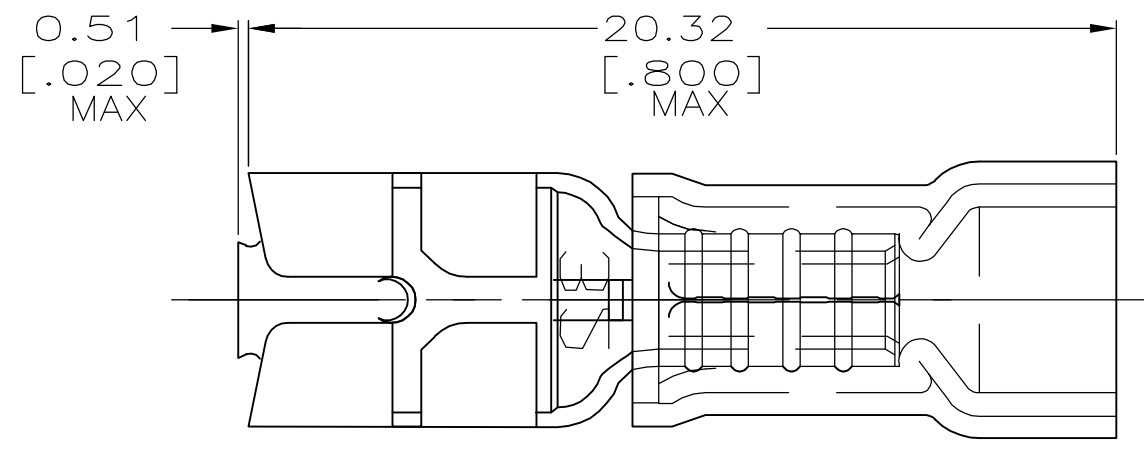


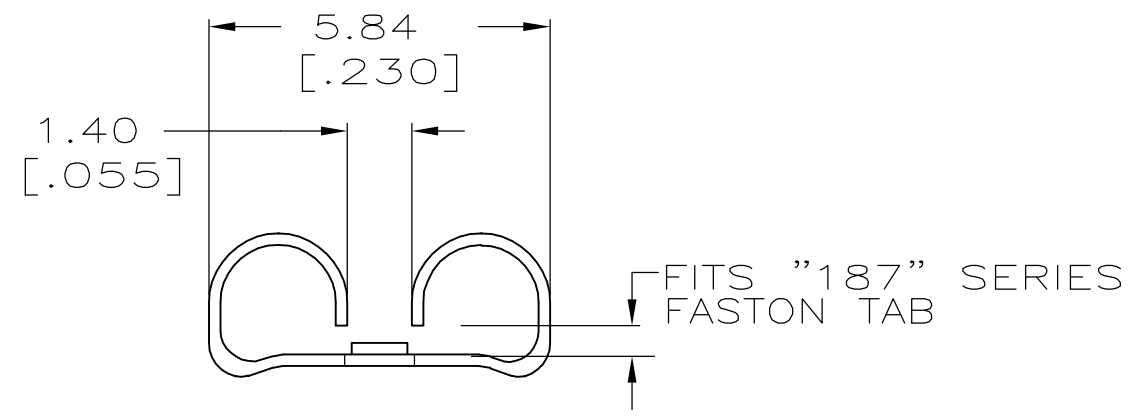
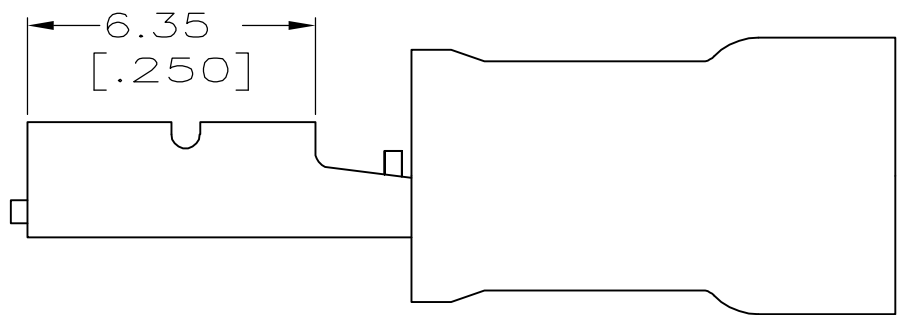
THIS DRAWING IS UNPUBLISHED. RELEASED FOR PUBLICATION  
 © COPYRIGHT BY TYCO ELECTRONICS CORPORATION. ALL RIGHTS RESERVED.

LOC	DIST	REVISIONS					
G	14	P	LTR	DESCRIPTION	DATE	DWN	APVD
			E3	REV PER ECR 07-006476	20MAR07	JR	TM

**AMP**  
 WIRE SIZE  
 22-18 AWG  
 STRANDED



- 1. INSULATION DIA 3.43 [.135] MAX
- 2. FITS TAB 0.81 [.032] THK
- 3 EASIER INSERTION
- 4 PRELIMINARY - NOT FOR PRODUCTION



4000	PVC, BLACK	ON TAPE, REEL	4 2-184268-2
1000	PVC, BLACK	LOOSE PIECE	4 2-184268-1
4000	NYLON, RED	ON TAPE, REEL	4 1-184268-2
1000	NYLON, RED	LOOSE PIECE	4 1-184268-1
4000	NYLON, RED	TAPE MOUNTED	184268-2
1000	NYLON, RED	LOOSE PIECE	184268-1
QTY	SLEEVE MATL./COLOR	PACKAGE TYPE	PART NO

THIS DRAWING IS A CONTROLLED DOCUMENT.		DWN L OLMEDA 29MAY96	Tyco Electronics Corporation Harrisburg, PA 17105-3608	
DIMENSIONS: mm	TOLERANCES UNLESS OTHERWISE SPECIFIED:	CHK M ELLIS 29MAY96	NAME RECEPTACLE, 187 SERIES, LOW INSERTION FORCE, FASTON, PIDG, WIRE SIZE: 22-18 AWG	
	0 PLC ± -	APVD B BARE 29MAY96	SIZE	RESTRICTED TO
	1 PLC ± -	PRODUCT SPEC	CAGE CODE	
	2 PLC ± 0.38 [.015]	APPLICATION SPEC	DRAWING NO	
	3 PLC ± -	WEIGHT -	A3 00779	C-184268
	4 PLC ± -	CUSTOMER DRAWING	SCALE 1:1	SHEET 1 OF 1
	ANGLES ± -		REV E3	
MATERIAL BODY, BRASS .016	FINISH BODY, TIN			