

THIS DRAWING IS UNPUBLISHED.

RELEASED FOR PUBLICATION

ALL RIGHTS RESERVED.

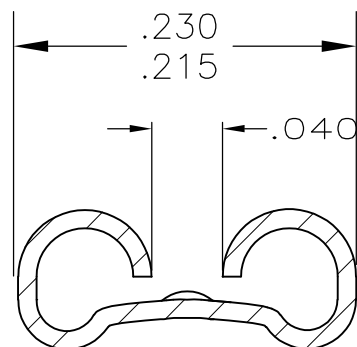
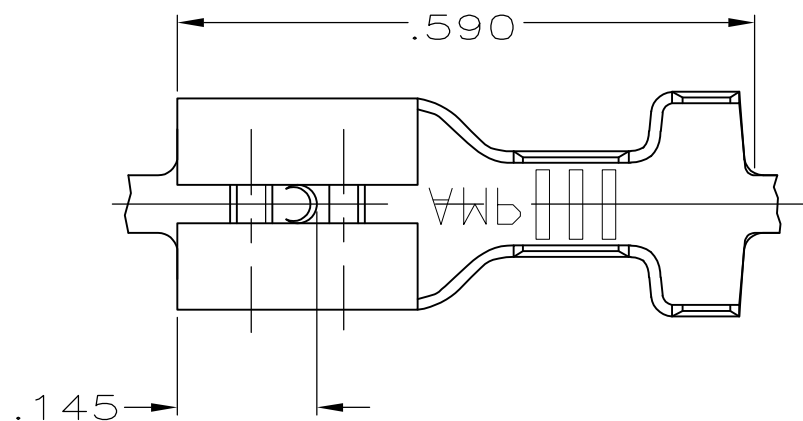
© COPYRIGHT - By -

LOC AF DIST 50

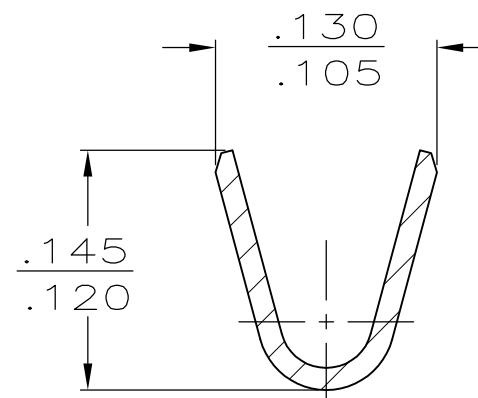
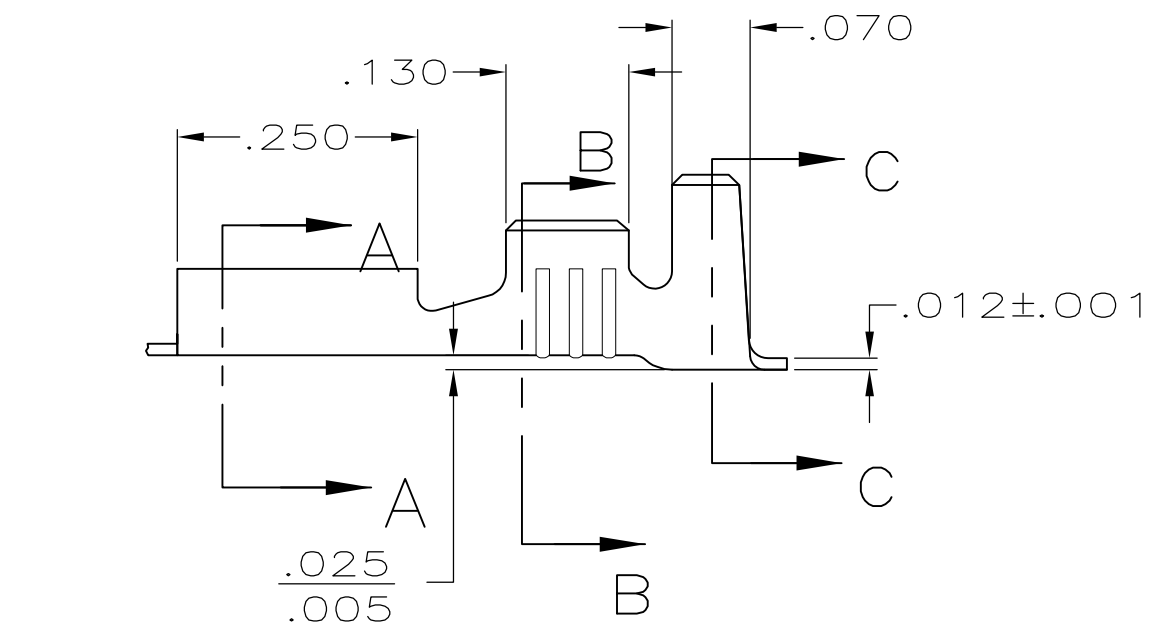
REVISIONS

P	LTR	DESCRIPTION	DATE	DWN	APVD
D		REVISED PER ECR-12-013518	24NOV12	KH	PD

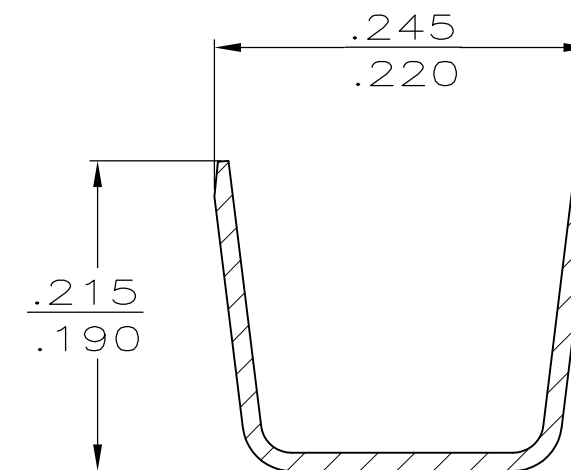
- 1 CONTINUOUS STRIP ON REELS
- 2 MATING TAB THK IS .032±.001
- 3 WIRE SIZE IS 18-16 OR TWO #18'S
- 4 INSULATION RANGE IS TWO AT .105 MAX DIA.



SECTION A-A
SCALE 8:1



SECTION B-B
SCALE 8:1



SECTION C-C
SCALE 8:1

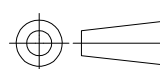
63769-1

PART NO.

F	.210	.188	F	.100	-.055	16
					-.049	18
TYPE	WIDTH	STRIP LENGTH ±.015	TYPE	WIDTH	±.002 HEIGHT	WIRE
INSUL BARREL CRIMP			WIRE BARREL CRIMP			

THIS DRAWING IS A CONTROLLED DOCUMENT.

DIMENSIONS:
INCHES



TOLERANCES UNLESS OTHERWISE SPECIFIED:

0 PLC	± -
1 PLC	± -
2 PLC	± -
3 PLC	± .015
4 PLC	± -
ANGLES	± -

MATERIAL
BRASS

FINISH
-

DWN JR RUTH 1/13/93

CHK MS FEHER 1/13/93

APVD P DESANTIS 1/13/93

PRODUCT SPEC

APPLICATION SPEC

114-2036

WEIGHT -

CUSTOMER DRAWING



NAME

RECEPTACLE, FASTON, .187 SERIES

SIZE CAGE CODE DRAWING NO RESTRICTED TO

A300779 C-63769

SCALE 5:1 SHEET 1 OF 1 REV D