

NOTES

1. APPLICABLE CABLE: MICRO COAXIAL CABLE(AWG#36~AWG#46)
2. THIS CONNECTOR IS NOT HOT PLUGGABLE. MATE AND UNMATE WHILE THE POWER IS OFF.
- 3 THE ASSEMBLY IS COMPLETED BY COMBINING THREE PARTS 'CONNECTOR UNIT, METAL SHIELDING' AND 'LATCH'. REFER TO THE TABLE FOR EACH ITEM No. PART NAME, PART No AND CODE No.
- 4 SOLDER A GROUND BAR WITH AN EXTERNAL CONDUCTOR OF THE CABLE ABOUT STICKING A GROUND BAR TOGETHER.
5. PLEASE CONSULT ABOUT THE USE OF THE POTTING AND KAPTON TAPE SEPARATELY.
6. PLEASE ATTACH A LATCH BEFORE INCORPORATING SHELL. PLEASE REFER TO ASSEMBLY MANUAL FOR DETAILS.
7. THE DIMENSIONS IN PARENTHESSES ARE FOR REFERENCE.
- 8 TOTAL THICKNESS OF ENCLOSED MATERIALS : 0.54mm MAX. THICKNESS EXCEEDING THE DIMENSION DOES NOT ALLOW THE METAL SHIELDING TO BE COMPLETELY FIT IN TO THE CONNECTOR.

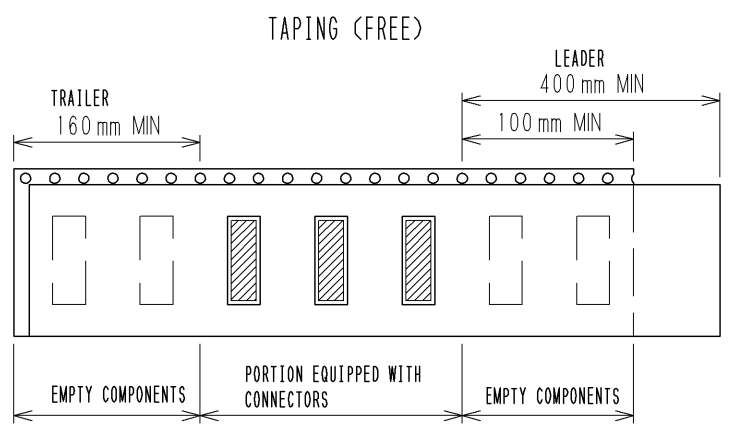
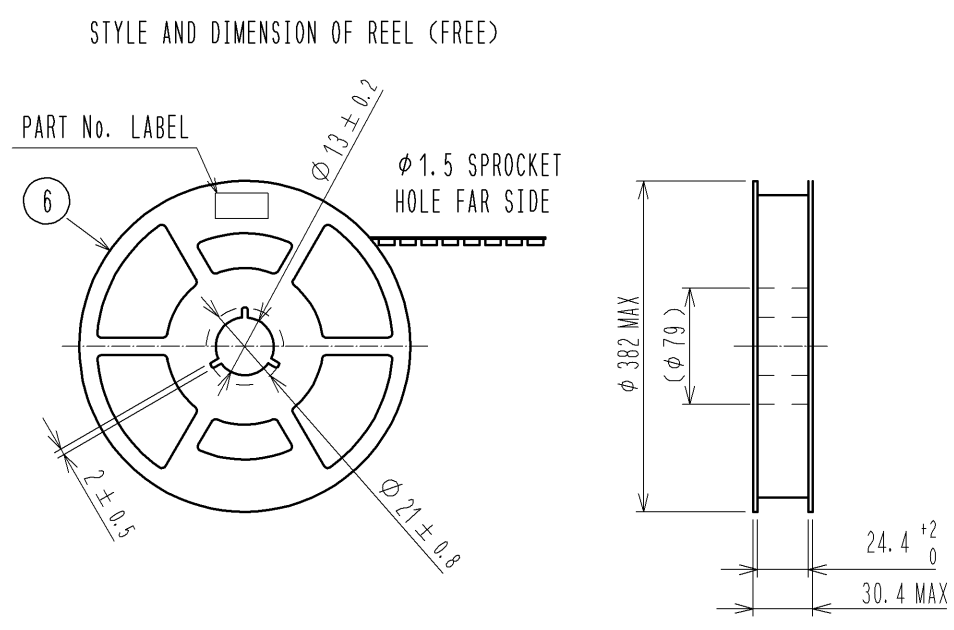
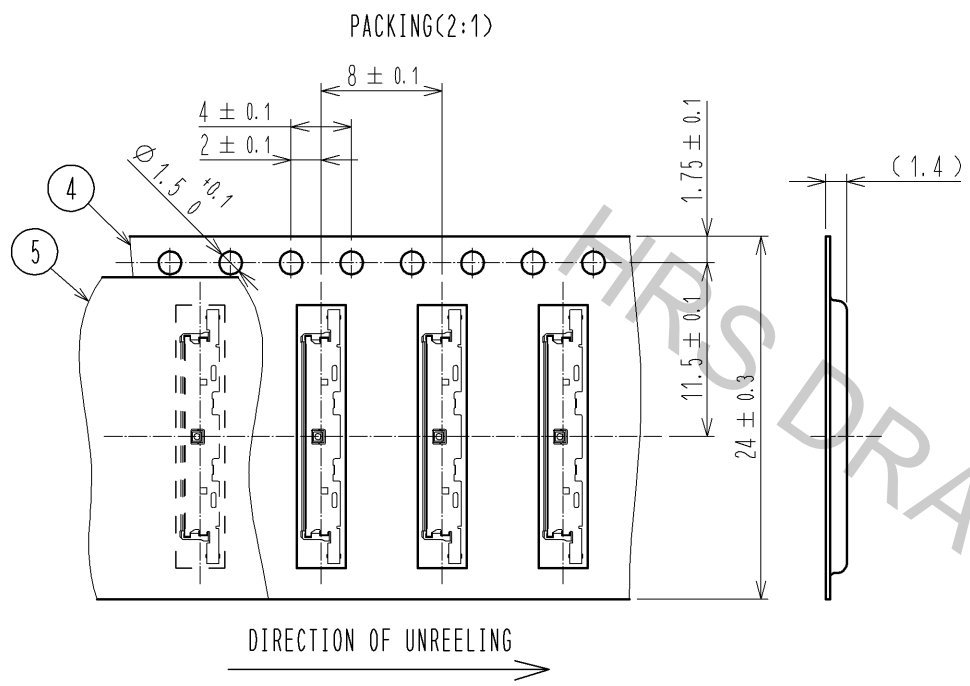
ITEM No.	PART NAME	PART No.	CODE No.
1. 2. 3	CONNECTOR UNIT	DF81D-30P-0.4SD(52)	CL662-8119-2-52
-	METAL SHIELDING	DF81-30P-SHL(52)	CL662-8106-0-52
-	LATCH	DF81-30P-LCH(52)	CL662-8107-3-52

NO.	MATERIAL	FINISH	REMARKS	NO.	MATERIAL	FINISH	REMARKS
2	LCP		UL94V-0, BLACK	6	PS		BLACK
1	PHOSPHOR BRONZE		CONTACT AREA : Au PLATING 0.1μm min TERMINATION AREA : Au PLATING 0.1μm min UNDER PLATING : Ni PLATING 1 μm min	5	POLYESTER		CLEAR
				4	PS		CLEAR
				3	SUS		CONTACT AREA : Au PLATING 0.05μm min SOLDERING AREA : Au PLATING 0.05μm min UNDER PLATING : Ni PLATING 0.2 μm min

UNITS	SCALE	COUNT	DESCRIPTION OF REVISIONS	DESIGNED	CHECKED	DATE
mm	5 : 1	△				

HRS HIROSE ELECTRIC CO., LTD.	APPROVED : MH. YAMANE	13.11.26	DRAWING NO. EDC3-351423-02 PART NO. DF81D-30P-0.4SD(52) CODE NO. CL662-8119-2-52
	CHECED : MH. TSUCHIDA	13.11.25	
	DESIGNED : AH. MIYAZAKI	13.11.12	
	DRAWN : AH. MIYAZAKI	13.11.12	

Apr.1.2017 Copyright 2017 HIROSE ELECTRIC CO., LTD. All Rights Reserved.



DETAIL OF PART No. LABEL (EXAMPLE)

生産月日	年 月 日
図番	CL662-8119-2-52
品名	DF81D-30P-0.4SD(52)
納入数量	500個
納入者	ヒロセ電機株式会社

- SUPPLIER
- QUANTITY
- PART No.
- CODE No.
- DATE OF MANUFACTURED

HRS	DRAWING NO.	EDC3-351423-02
	PART NO.	DF81D-30P-0.4SD(52)
	CODE NO.	CL662-8119-2-52
		△ 2/2