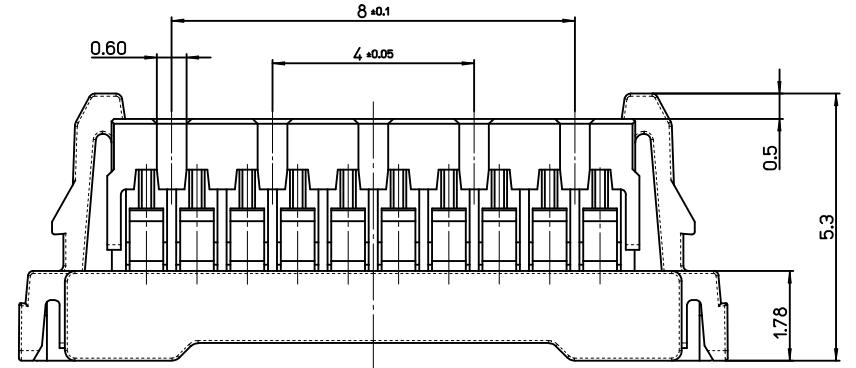
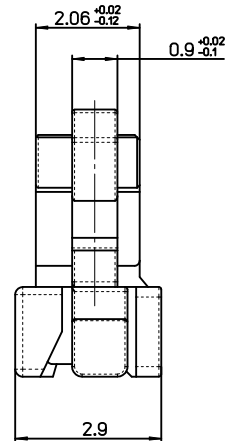
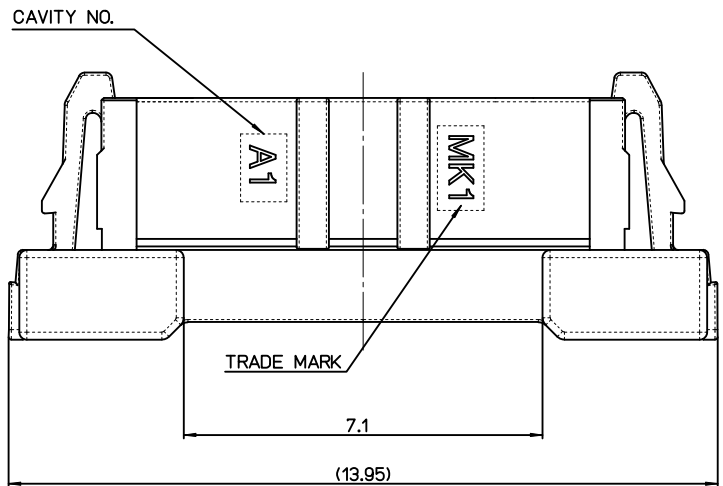
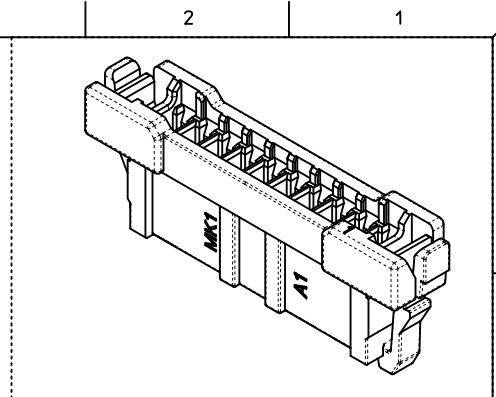
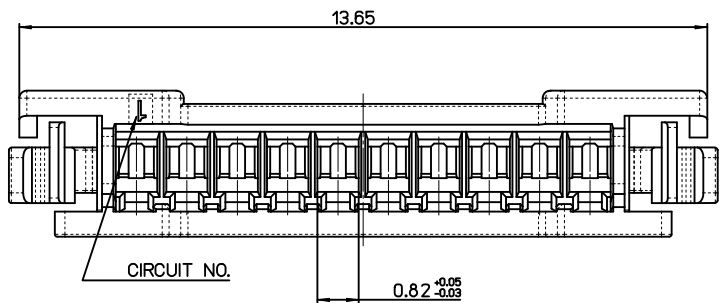


MATED CONDITION
(REFERENCE)



- NOTES.
- MATED WITH : 104141-1010
 - MATERIAL : LCP E130i, GLASS FILLED, UL94V-0
HALOGEN FREE, COLOR OF NATURAL
 - APPLICABLE TERMINAL
- 104539-8002 : AWG#30,AWG#32
* WIRE : UL10368 HALOGEN FREE WIRE
INSULATION DIAMETER 0.85mm MAX.



NEW RELEASED
EC NO: KOR2012-0057
DRWN:CBCHIN 2011/12/19
CHKD:SHCHU 2011/12/19
APPR:YUNSIKKIM 2011/12/22

REV	DESCRIPTION
A	NEW RELEASED

QUALITY SYMBOLS	
	=0
	=0

GENERAL TOLERANCES (UNLESS SPECIFIED)	
mm	INCH
4 PLACES	± --- ± ---
3 PLACES	± --- ± ---
2 PLACES	± 0.15 ± ---
1 PLACE	± 0.20 ± ---
ANGULAR ± 1 °	

DIMENSION STYLE	
MM ONLY	
DRAWN BY	DATE
CBCHIN	2011/12/19
CHECKED BY	DATE
SHCHU	2011/12/19
APPROVED BY	DATE
YUNSIKKIM	2011/12/22
MATERIAL NO.	
1041421000	

ORDER NUMBER		104142-1000
DESIGN UNITS	METRIC	
THIRD ANGLE PROJECTION		
TITLE		
1.0MM W-T-B CONN. HOUSING-10P(S/T)		
MOLEX INCORPORATED		
MATERIAL NO.	1041421000	DOCUMENT NO.
		SD-104142-001
SHEET NO.		1 OF 01