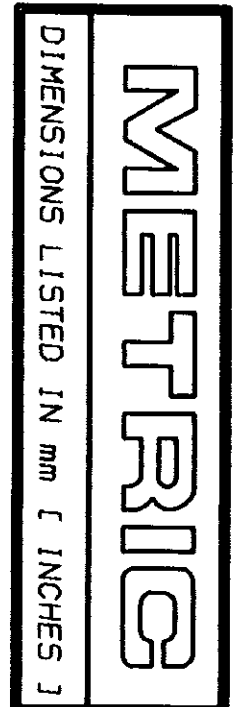
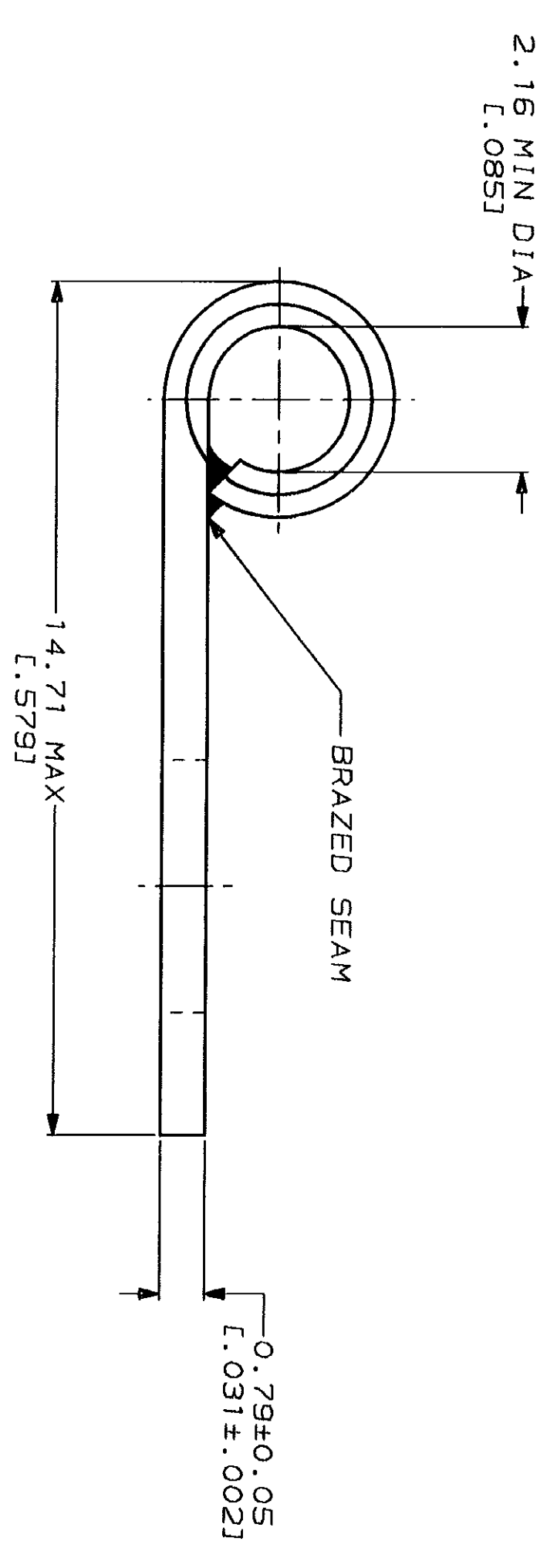
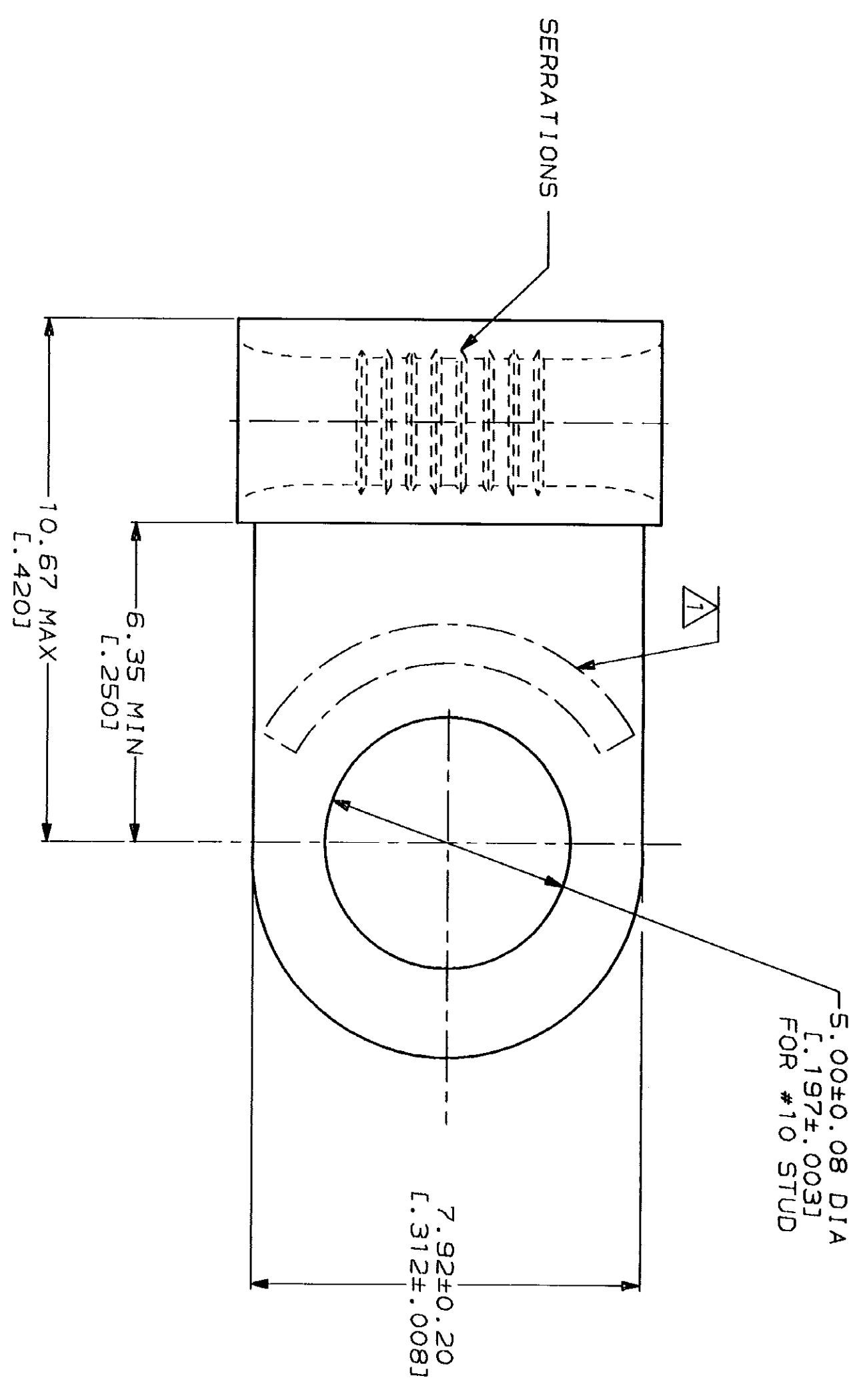


LOC	DIST	P	F	ZONE	LTR	DESCRIPTION	DATE	APPRO
G	14				E	REV & REDRAWN PER 0720-0040-93	3-30-93	AMP



AMP WIRE RANGE	UL E13288 Listed
16-14 AWG SOLID OR STRANDED	16-14 AWG SOLID OR STRANDED
LR7189 Certified	MILITARY P/N AND CLASS
16-14 AWG SOLID OR STRANDED	NOT APPLICABLE

△ STAMP AMP 16-14* APPROX AS SHOWN



AMP INCORPORATED CUSTOMER SERVICE SYSTEMS		MAX RECOMMENDED OPERATING TEMPERATURE: 170°C MAX
FOR ADDITIONAL PRODUCT INFORMATION OR COPIES OF DRAWINGS AND TECHNICAL DOCUMENTS	PRODUCT INFORMATION CENTER 1-800-522-6752	VOLTAGE RATING: NOT APPLICABLE
FOR APPLICATION TOOLING INFORMATION	TOOLING ASSISTANCE CENTER 1-800-722-1111	WIRE CROSS SECTIONAL AREA RANGE: 1.04-2.62mm ² [2,050-5,180] CIR MILS SOLID OR STRANDED
FOR ORDER ENTRY	1-800-526-5142	THIS DRAWING IS A CONTROLLED DOCUMENT FOR AMP INCORPORATED. IT IS SUBJECT TO CHANGE AND THE CONTROLLING ENGINEERING ORGANIZATION SHOULD BE CONTACTED FOR THE LATEST REVISION.

DO NOT SCALE PRINT. UNLESS SPECIFIED DIMENSIONS IN mm [INCHES] TOLERANCES ON: 1. DECIMALS 2. PLC DEC # 3. PLC DEC # ANGLES	DR 3-30-93 TA BRINKMAN CHK 3-30-93 DA PATTERSON APPD 3-30-93 DE MILLER APPD 3-30-93 JL MECKLEY PRODUCT SPEC	NAME AMP AMP Incorporated Harrisburg, PA 17105-3608
MATERIAL COPPER PER ASTM B-152 ANNEALED	FINISH TIN PLATE 0.00254 [L.000100] MIN THK PER MIL-T-10727	TERMINAL, RING TONGUE, FLAG, SOLISTRAND™
DR 3-30-93 TA BRINKMAN CHK 3-30-93 DA PATTERSON APPD 3-30-93 DE MILLER APPD 3-30-93 JL MECKLEY PRODUCT SPEC	APPLICATION SPEC	SIZE CAGE CODE DRAWING NO SCALE 10:1
WEIGHT		00779 ③=322819