

Film Capacitors

Metallized Polypropylene Film Capacitors (MKP)

Series/Type: B32774H ... B32778H

Date: June 2018

© EPCOS AG 2018. Reproduction, publication and dissemination of this publication, enclosures hereto and the information contained therein without EPCOS' prior express consent is prohibited.

EPCOS AG is a TDK Group Company.

MKP DC link – high density THB series**Typical applications**

- Frequency converters
- Industrial and high-end power supplies
- Solar inverters

Climatic

- Max. operating temperature: 105 °C (case)
- Climatic category (IEC 60068-1:2013):
40/105/56

Construction

- Dielectric: Polypropylene (MKP)
- Plastic case (UL 94 V-0)
- Epoxy resin sealing (UL 94 V-0)

Features

- For severe ambient conditions
- High CV product, compact
- Good self-healing properties
- Over-voltage capability
- Low losses with high current capability
- High reliability
- Long useful life
- RoHS-compatible
- AEC-Q200D compliant

Terminals

- Parallel wire leads, lead-free tinned
- 2-pin and 4-pin versions
- Standard lead lengths: 6 – 1 mm

Marking

Manufacturer's logo and lot number, date code, rated capacitance (coded), capacitance tolerance (code letter) and rated DC voltage

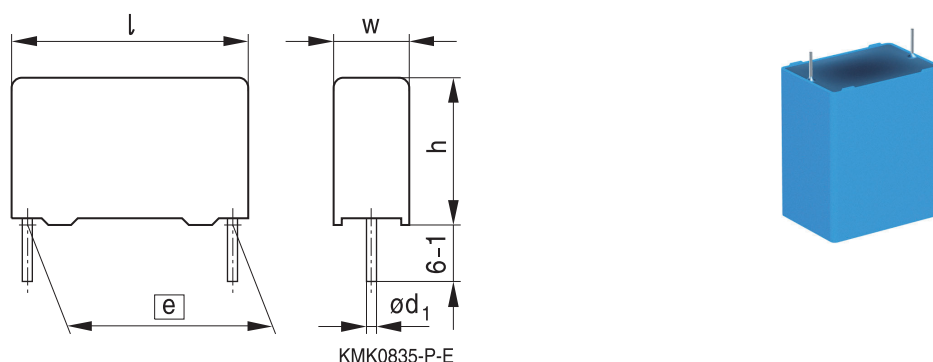
Delivery mode

Bulk (untaped)


Dimensional drawings

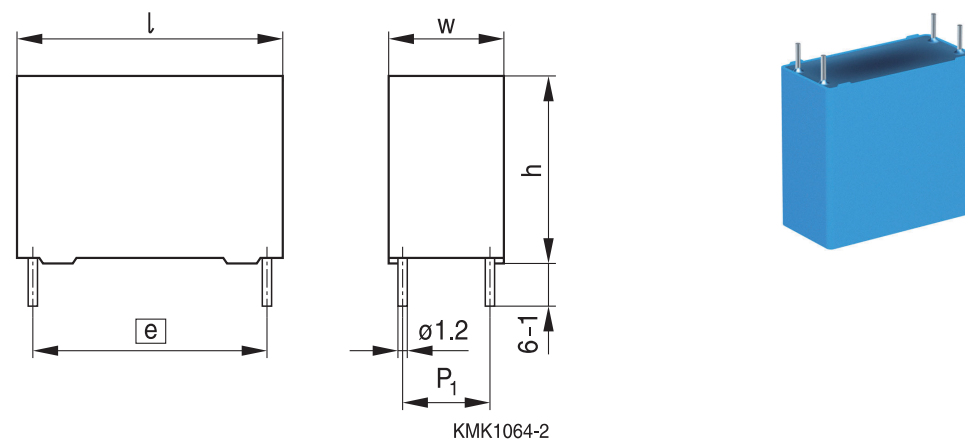
Number of wires	Lead spacing $e \pm 0.4$	Lead diameter $d_1 \pm 0.05$	Type
2-pin	27.5	0.8	B32774H
2-pin	37.5	1.0	B32776H
4-pin	37.5	1.2	B32776H
4-pin	52.5	1.2	B32778H

Dimensions in mm

Dimensional drawings 2-pin versions
B32774H, B32776H


	B32774H	B32776H
Lead spacing $e \pm 0.4$:	27.5	37.5
Lead diameter d_1 :	0.8	1.0

Dimensions in mm

Dimensional drawings 4-pin versions
B32776H, B32778H


	B32776H	B32778H
Lead spacing $e \pm 0.4$:	37.5	52.5
Lead diameter d_1 :	1.2	1.2

Dimensions in mm



B32774H ... B32778H

MKP DC link – high density THB series

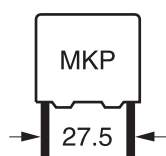
Overview of available types

Lead spacing	27.5 mm						37.5 mm					
Type	B32774H						B32776H					
Page	6						8					
V _R (V DC)	450	500	700	800	920	1100	450	500	700	800	920	1100
C _R (μF)												
1.5												
1.8												
2.2												
2.7												
3.3												
3.9												
4.7												
5.6												
6.8												
8.2												
10												
12												
15												
18												
22												
27												
30												
33												
35												
39												
47												



Overview of available types

Lead spacing	52.5 mm					
Type	B32778H					
Page	11					
V_R (V DC)	450	500	700	800	920	1100
C_R (μ F)						
18						
22						
27						
30						
33						
35						
39						
47						
50						
56						
68						
75						
82						
90						
100						
120						


B32774H
MKP DC link – high density THB series
Ordering codes and packing units (lead spacing 27.5 mm)

$C_R^{1)}$	Max. dimensions w × h × l	Ordering code (composition see below)	$I_{RMS,max}^{2)}$ 70 °C 10 kHz A	ESR_{typ} 70 °C 10 kHz mΩ	$ESL_{typ}^{3)}$ 70 °C 10 kHz nH	$\tan \delta$ max. 1 kHz 10^{-3}	$\tan \delta$ max. 10 kHz 10^{-3}	Un- taped pcs./ MOQ
$V_{R,85\text{ °C}} = 450\text{ V DC}, V_{op,70\text{ °C}} = 450\text{ V DC}$								
3.3	11.0 × 19.0 × 31.5	B32774H4335+000	3.5	30.4	17.0	1.2	10.7	2352
3.9	11.0 × 21.0 × 31.5	B32774H4395+000	4.0	26.0	17.0	1.2	10.7	2352
4.7	11.0 × 21.0 × 31.5	B32774H4475K000	4.5	22.0	20.0	1.3	10.7	2352
5.6	13.5 × 23.0 × 31.5	B32774H4565+000	5.0	18.5	18.0	1.3	10.8	1932
6.8	13.5 × 23.0 × 31.5	B32774H4685K000	6.0	15.3	21.0	1.3	10.9	1932
8.2	15.0 × 24.5 × 31.5	B32774H4825K000	6.5	12.8	22.0	1.3	11.0	1680
10.0	18.0 × 27.5 × 31.5	B32774H4106+000	8.0	10.7	22.0	1.3	11.1	1428
12.0	18.0 × 27.5 × 31.5	B32774H4126K000	9.0	9.0	25.0	1.3	11.3	1428
$V_{R,85\text{ °C}} = 500\text{ V DC}, V_{op,70\text{ °C}} = 575\text{ V DC}$								
3.3	11.0 × 21.0 × 31.5	B32774H5335+000	4.0	25.1	19.0	1.0	8.7	2352
3.9	12.5 × 21.5 × 31.5	B32774H5395K000	4.5	21.3	20.0	1.0	8.7	2100
4.7	13.5 × 23.0 × 31.5	B32774H5475+000	5.5	17.8	20.0	1.0	8.7	1932
5.6	14.0 × 24.5 × 31.5	B32774H5565K000	6.0	15.1	22.0	1.1	8.8	1848
6.8	18.0 × 27.5 × 31.5	B32774H5685+000	7.5	12.5	22.0	1.1	8.9	1428
8.2	18.0 × 27.5 × 31.5	B32774H5825+000	8.0	10.5	25.0	1.1	9.0	1428
10.0	19.0 × 30.0 × 31.5	B32774H5106+000	9.5	10.5	27.0	1.1	9.2	896
$V_{R,85\text{ °C}} = 700\text{ V DC}, V_{op,70\text{ °C}} = 800\text{ V DC}$								
2.2	11.0 × 21.0 × 31.5	B32774H8225+000	3.5	33.7	18.0	1.0	7.7	2352
2.7	12.5 × 21.5 × 31.5	B32774H8275+000	4.0	26.9	18.0	1.0	7.6	2100
3.3	13.5 × 23.0 × 31.5	B32774H8335+000	5.0	22.2	19.0	1.0	7.6	1932
3.9	14.0 × 24.5 × 31.5	B32774H8395+000	5.5	18.8	21.0	1.0	7.7	1848
4.7	15.0 × 24.5 × 31.5	B32774H8475K000	6.2	15.7	23.0	1.0	7.7	1680
5.6	18.0 × 27.5 × 31.5	B32774H8565+000	7.5	13.3	22.0	1.0	7.8	1428
6.8	19.0 × 30.0 × 31.5	B32774H8685+000	8.5	11.1	25.0	1.0	7.9	896
8.2	21.0 × 31.0 × 31.5	B32774H8825+000	9.5	9.4	26.0	1.0	8.0	784

MOQ = Minimum Order Quantity, consisting of 4 packing units.
Intermediate capacitance values are available on request.

Composition of ordering code

+ = Capacitance tolerance code:

J = ±5%

K = ±10%

Packing code:

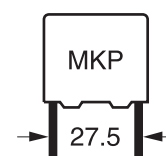
000 = untaped (lead length 6 – 1 mm)

Other lead lengths available upon request

1) Capacitance value measured at 1 kHz

2) Max ripple current I_{RMS} at 70 °C, 10 kHz for $\Delta T \leq 20\text{ °C}$

3) Typical ESL value measured at resonance frequency (see specific graphs of Z versus frequency)


Ordering codes and packing units (lead spacing 27.5 mm)

$C_R^{1)}$ μF	Max. dimensions $w \times h \times l$ mm	Ordering code (composition see below)	$I_{\text{RMS,max}}^{2)}$ 70 °C 10 kHz A	ESR_{typ} 70 °C 10 kHz m Ω	$\text{ESL}_{\text{typ}}^{3)}$ 70 °C 10 kHz nH	$\tan \delta$ max. 1 kHz 10^{-3}	$\tan \delta$ max. 10 kHz 10^{-3}	Un- taped pcs./ MOQ
$V_{\text{R,85}^\circ\text{C}} = 800 \text{ V DC}, V_{\text{op,70}^\circ\text{C}} = 900 \text{ V DC}$								
1.8	11.0 × 21.0 × 31.5	B32774H9185+000	3.5	36.0	18.0	0.8	6.8	2352
2.2	12.5 × 21.5 × 31.5	B32774H9225+000	4.0	29.4	19.0	0.8	6.8	2100
2.7	13.5 × 23.0 × 31.5	B32774H9275+000	4.5	24.1	20.0	0.9	6.8	1932
3.3	14.0 × 24.5 × 31.5	B32774H9335K000	5.5	19.9	22.0	0.9	6.8	1848
3.9	18.0 × 27.5 × 31.5	B32774H9395+000	6.5	16.9	22.0	0.9	6.9	1428
4.7	18.0 × 27.5 × 31.5	B32774H9475+000	7.3	14.1	23.0	0.9	6.9	1428
5.6	19.0 × 30.0 × 31.5	B32774H9565+000	8.2	12.0	25.0	0.9	7.0	896
6.8	21.0 × 31.0 × 31.5	B32774H9685+000	9.3	10.0	27.0	0.9	7.1	784
$V_{\text{R,85}^\circ\text{C}} = 920 \text{ V DC}, V_{\text{op,70}^\circ\text{C}} = 1100 \text{ V DC}$								
1.8	12.5 × 21.5 × 31.5	B32774H0185+000	4.0	32.4	19.0	0.8	6.1	2100
2.2	13.5 × 23.0 × 31.5	B32774H0225+000	4.5	26.6	20.2	0.8	6.1	1932
2.7	15.0 × 24.5 × 31.5	B32774H0275K000	5.5	21.8	21.0	0.8	6.2	1680
3.3	18.0 × 27.5 × 31.5	B32774H0335+000	7.0	18.0	22.0	0.8	6.2	1428
3.9	18.0 × 27.5 × 31.5	B32774H0395+000	7.5	15.4	24.0	0.8	6.2	1428
4.7	19.0 × 30.0 × 31.5	B32774H0475+000	8.0	12.9	26.0	0.8	6.3	896
5.6	21.0 × 31.0 × 31.5	B32774H0565+000	9.0	10.9	27.0	0.8	6.4	784
$V_{\text{R,85}^\circ\text{C}} = 1100 \text{ V DC}, V_{\text{op,70}^\circ\text{C}} = 1300 \text{ V DC}$								
1.5	13.5 × 23.0 × 31.5	B32774H1155+000	4.4	30.6	21.0	0.7	4.8	1932
1.8	14.0 × 24.5 × 31.5	B32774H1185K000	5.0	25.6	21.0	0.7	4.8	1848
2.2	18.0 × 27.5 × 31.5	B32774H1225+000	6.0	21.1	22.0	0.7	4.9	1428
2.7	18.0 × 27.5 × 31.5	B32774H1275+000	6.5	17.3	25.0	0.7	4.9	1428
3.3	19.0 × 30.0 × 31.5	B32774H1335+000	7.5	14.3	27.0	0.7	4.9	896
3.9	21.0 × 31.0 × 31.5	B32774H1395K000	8.0	12.3	29.0	0.7	5.0	784

MOQ = Minimum Order Quantity, consisting of 4 packing units.

Intermediate capacitance values are available on request.

Composition of ordering code

+ = Capacitance tolerance code:

J = $\pm 5\%$

K = $\pm 10\%$

Packing code:

000 = untaped (lead length 6 – 1 mm)

Other lead lengths available upon request

1) Capacitance value measured at 1 kHz

2) Max ripple current I_{RMS} at 70 °C, 10 kHz for $\Delta T \leq 20$ °C

3) Typical ESL value measured at resonance frequency (see specific graphs of Z versus frequency)



B32776H

MKP DC link – high density THB series

Ordering codes and packing units (lead spacing 37.5 mm)

$C_R^{1)}$ μF	Max. dimensions $w \times h \times l$ mm	P_1 mm	Ordering code (composition see below)	$I_{\text{RMS,max}}^{2)}$ 70 °C 10 kHz A	ESR_{typ} 70 °C 10 kHz mΩ	$\text{ESL}_{\text{typ}}^{3)}$ 70 °C 10 kHz nH	$\tan \delta$ max. 1 kHz 10^{-3}	$\tan \delta$ max. 10 kHz 10^{-3}	Un- taped pcs./ MOQ
$V_{\text{R,85 °C}} = 450 \text{ V DC}, V_{\text{op,70 °C}} = 450 \text{ V DC}$									
15.0	16.0 × 28.5 × 42.0	–	B32776H4156+000	8.0	13.7	20.0	2.3	21.5	800
18.0	18.0 × 32.5 × 42.0	–	B32776H4186+000	9.0	11.5	20.0	2.3	21.7	720
22.0	18.0 × 32.5 × 42.0	–	B32776H4226K000	10.0	9.7	23.0	2.4	21.9	720
27.0	20.0 × 39.5 × 42.0	10.2 ^{*)}	B32776H4276+000	13.0	7.6	11.0	2.3	21.5	640
30.0	20.0 × 39.5 × 42.0	10.2 ^{*)}	B32776H4306+000	14.0	7.0	11.0	2.3	21.3	640
33.0	28.0 × 37.0 × 42.0	10.2 ^{*)}	B32776H4336+000	15.5	6.3	10.0	2.3	21.6	440
35.0	28.0 × 37.0 × 42.0	10.2 ^{*)}	B32776H4356+000	16.5	6.0	10.0	2.3	21.4	440
39.0	28.0 × 42.5 × 42.0	10.2 ^{*)}	B32776H4396+000	17.5	5.4	11.0	2.4	21.8	440
47.0	28.0 × 42.5 × 42.0	10.2 ^{*)}	B32776H4476+000	19.5	4.5	13.0	2.4	22.0	440
$V_{\text{R,85 °C}} = 500 \text{ V DC}, V_{\text{op,70 °C}} = 575 \text{ V DC}$									
10.0	16.0 × 28.5 × 42.0	–	B32776H5106+000	7.0	16.9	19.0	1.9	17.3	800
12.0	16.0 × 28.5 × 42.0	–	B32776H5126K000	8.0	14.1	21.0	1.9	17.7	800
15.0	18.0 × 32.5 × 42.0	–	B32776H5156+000	9.0	11.4	22.0	1.9	17.9	720
18.0	20.0 × 39.5 × 42.0	10.2 ^{*)}	B32776H5186+000	11.5	9.3	10.0	1.9	17.2	640
22.0	20.0 × 39.5 × 42.0	10.2 ^{*)}	B32776H5226+000	12.5	7.7	12.0	1.9	17.6	640
27.0	28.0 × 37.0 × 42.0	10.2 ^{*)}	B32776H5276+000	15.0	6.3	11.0	1.9	17.7	440
30.0	28.0 × 42.5 × 42.0	10.2 ^{*)}	B32776H5306+000	16.5	5.7	12.0	1.9	17.8	440
33.0	28.0 × 42.5 × 42.0	10.2 ^{*)}	B32776H5336+000	18.0	5.2	13.0	1.9	17.9	440

MOQ = Minimum Order Quantity, consisting of 4 packing units.

Intermediate capacitance values are available on request.

*) 2-pin version available on request

Composition of ordering code

+ = Capacitance tolerance code:

J = ±5%

K = ±10%

Packing code:

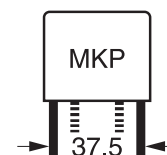
000 = untaped (lead length 6 – 1 mm)

Other lead lengths available upon request

1) Capacitance value measured at 1 kHz

2) Max ripple current I_{RMS} at 70 °C, 10 kHz for $\Delta T \leq 20 \text{ °C}$

3) Typical ESL value measured at resonance frequency (see specific graphs of Z versus frequency)



B32776H

MKP DC link – high density THB series

Ordering codes and packing units (lead spacing 37.5 mm)

$C_R^{4)}$ μF	Max. dimensions $w \times h \times l$ mm	P_1 mm	Ordering code (composition see below)	$I_{\text{RMS,max}}^{5)}$ 70 °C 10 kHz A	ESR_{typ} 70 °C 10 kHz mΩ	$\text{ESL}_{\text{typ}}^{6)}$ 70 °C 10 kHz nH	$\tan \delta$ max. 1 kHz 10^{-3}	$\tan \delta$ max. 10 kHz 10^{-3}	Un- taped pcs./ MOQ
$V_{\text{R,85 °C}} = 700 \text{ V DC}, V_{\text{op,70 °C}} = 800 \text{ V DC}$									
5.6	14.0 × 25.0 × 42.0	–	B32776H8565K000	5.5	26.1	17.0	1.7	15.2	1380
6.8	16.0 × 28.5 × 42.0	–	B32776H8685+000	6.0	21.5	18.0	1.7	15.3	800
8.2	16.0 × 28.5 × 42.0	–	B32776H8825+000	7.0	18.2	20.0	1.7	15.4	800
10.0	18.0 × 32.5 × 42.0	–	B32776H8106+000	8.0	14.6	20.0	1.7	15.5	720
12.0	18.0 × 32.5 × 42.0	–	B32776H8126K000	9.5	12.5	21.0	1.7	15.6	720
15.0	20.0 × 39.5 × 42.0	10.2*)	B32776H8156+000	12.0	9.9	11.0	1.7	15.4	640
18.0	28.0 × 37.0 × 42.0	10.2*)	B32776H8186+000	13.0	8.2	10.0	1.7	15.4	440
22.0	28.0 × 37.0 × 42.0	10.2*)	B32776H8226K000	15.5	6.9	11.0	1.7	15.5	440
27.0	28.0 × 42.5 × 42.0	10.2*)	B32776H8276K000	17.5	5.8	13.0	1.8	16.2	440
$V_{\text{R,85 °C}} = 800 \text{ V DC}, V_{\text{op,70 °C}} = 900 \text{ V DC}$									
3.3	12.0 × 22.0 × 42.0	–	B32776H9335K000	4.2	39.0	16.0	1.5	13.4	1620
3.9	14.0 × 25.0 × 42.0	–	B32776H9395+000	4.7	33.2	15.0	1.5	13.5	1380
4.7	14.0 × 25.0 × 42.0	–	B32776H9475+000	5.5	27.6	18.0	1.5	13.5	1380
5.6	16.0 × 28.5 × 42.0	–	B32776H9565+000	6.0	23.3	18.0	1.5	13.6	800
6.8	16.0 × 28.5 × 42.0	–	B32776H9685K000	6.5	19.3	20.0	1.5	13.7	800
8.2	18.0 × 32.5 × 42.0	–	B32776H9825+000	8.0	16.1	21.0	1.5	13.8	720
10.0	18.0 × 32.5 × 42.0	–	B32776H9106K000	9.0	13.3	24.0	1.5	13.9	720
12.0	20.0 × 39.5 × 42.0	10.2*)	B32776H9126+000	10.5	10.9	11.0	1.5	13.6	640
15.0	28.0 × 37.0 × 42.0	10.2*)	B32776H9156+000	12.5	8.7	10.0	1.5	13.7	440
18.0	28.0 × 42.5 × 42.0	10.2*)	B32776H9186+000	14.5	8.1	12.0	1.5	13.8	440

MOQ = Minimum Order Quantity, consisting of 4 packing units.

Intermediate capacitance values are available on request.

*) 2-pin version available on request

Composition of ordering code

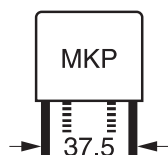
+ = Capacitance tolerance code:
 J = ±5%
 K = ±10%

Packing code:
 000 = untaped (lead length 6 – 1 mm)
 Other lead lengths available upon request

4) Capacitance value measured at 1 kHz

5) Max ripple current I_{RMS} at 70 °C, 10 kHz for $\Delta T \leq 20$ °C

6) Typical ESL value measured at resonance frequency (see specific graphs of Z versus frequency)



B32776H

MKP DC link – high density THB series

Ordering codes and packing units (lead spacing 37.5 mm)

$C_R^{7)}$ μF	Max. dimensions $w \times h \times l$ mm	P_1 mm	Ordering code (composition see below)	$I_{\text{RMS,max}}^{8)}$ 70 °C 10 kHz A	ESR_{typ} 70 °C 10 kHz mΩ	$\text{ESL}_{\text{typ}}^{9)}$ 70 °C 10 kHz nH	$\tan \delta$ max. 1 kHz 10^{-3}	$\tan \delta$ max. 10 kHz 10^{-3}	Un- taped pcs./ MOQ
$V_{\text{R,85 °C}} = 920 \text{ V DC}, V_{\text{op,70 °C}} = 1100 \text{ V DC}$									
2.7	12.0 × 22.0 × 42.0	—	B32776H0275K000	4.0	43.0	15.0	1.3	12.1	1620
3.3	14.0 × 25.0 × 42.0	—	B32776H0335+000	4.5	34.9	16.0	1.4	12.0	1380
3.9	14.0 × 25.0 × 42.0	—	B32776H0395K000	5.0	29.5	18.0	1.4	12.0	1380
4.7	16.0 × 28.5 × 42.0	—	B32776H0475+000	6.0	24.6	18.0	1.4	12.1	800
5.6	16.0 × 28.5 × 42.0	—	B32776H0565K000	6.5	20.8	20.0	1.4	12.1	800
6.8	18.0 × 32.5 × 42.0	—	B32776H0685+000	7.5	17.2	21.0	1.4	12.1	720
8.2	18.0 × 32.5 × 42.0	—	B32776H0825K000	8.5	14.4	24.0	1.4	12.7	720
10.0	20.0 × 39.5 × 42.0	10.2*)	B32776H0106+000	10.0	11.8	11.0	1.4	12.3	640
12.0	28.0 × 37.0 × 42.0	10.2*)	B32776H0126+000	12.0	10.0	10.0	1.4	12.3	440
15.0	28.0 × 42.5 × 42.0	10.2*)	B32776H0156+000	14.5	7.8	12.0	1.4	12.2	440
$V_{\text{R,85 °C}} = 1100 \text{ V DC}, V_{\text{op,70 °C}} = 1300 \text{ V DC}$									
2.2	14.0 × 25.0 × 42.0	—	B32776H1225+000	4.0	42.2	16.0	1.1	9.7	1380
2.7	16.0 × 28.5 × 42.0	—	B32776H1275+000	5.0	34.5	17.0	1.1	9.7	800
3.3	16.0 × 28.5 × 42.0	—	B32776H1335+000	5.5	28.4	19.0	1.1	9.8	800
3.9	16.0 × 28.5 × 42.0	—	B32776H1395K000	6.0	24.0	21.0	1.1	9.8	800
4.7	18.0 × 32.5 × 42.0	—	B32776H1475+000	7.0	20.0	22.0	1.1	9.8	720
5.6	20.0 × 39.5 × 42.0	10.2*)	B32776H1565+000	8.5	16.7	10.0	1.1	9.8	640
6.8	20.0 × 39.5 × 42.0	10.2*)	B32776H1685+000	9.0	13.7	11.0	1.1	9.8	640
8.2	28.0 × 37.0 × 42.0	10.2*)	B32776H1825+000	11.0	11.5	10.0	1.1	9.8	440
10.0	28.0 × 42.5 × 42.0	10.2*)	B32776H1106+000	13.0	9.9	29.0	1.2	10.2	440

MOQ = Minimum Order Quantity, consisting of 4 packing units.

Intermediate capacitance values are available on request.

*) 2-pin version available on request

Composition of ordering code

+ = Capacitance tolerance code:

J = ±5%

K = ±10%

Packing code:

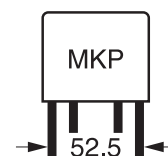
000 = untaped (lead length 6 – 1 mm)

Other lead lengths available upon request

7) Capacitance value measured at 1 kHz

8) Max ripple current I_{RMS} at 70 °C, 10 kHz for $\Delta T \leq 20$ °C

9) Typical ESL value measured at resonance frequency (see specific graphs of Z versus frequency)


Ordering codes and packing units (lead spacing 52.5 mm, P₁ = 20.3 mm)

C _R ¹⁾ μF	Max. dimensions w × h × l mm	Ordering code (composition see below)	I _{RMS,max} ²⁾ 70 °C 10 kHz A	ESR _{typ} 70 °C 10 kHz mΩ	ESL _{typ} ³⁾ 70 °C 10 kHz nH	tan δ max. 1 kHz 10 ⁻³	tan δ max. 10 kHz 10 ⁻³	Un- taped pcs./ MOQ
V_{R,85 °C} = 450 V DC, V_{op,70 °C} = 450 V DC								
75.0	30.0 × 45.0 × 57.5	B32778H4756+000	21.0	5.6	12.0	4.4	42.6	280
82.0	30.0 × 45.0 × 57.5	B32778H4826K000	22.0	5.2	13.0	4.4	42.7	280
90.0	35.0 × 50.0 × 57.5	B32778H4906+000	23.5	4.7	14.0	4.5	43.2	108
100.0	35.0 × 50.0 × 57.5	B32778H4107+000	26.0	4.3	14.0	4.5	43.6	108
120.0	38.0 × 57.5 × 57.5	B32778H4127+000	27.5	3.7	16.0	4.7	45.5	96
V_{R,85 °C} = 500 V DC, V_{op,70 °C} = 575 V DC								
50.0	30.0 × 45.0 × 57.5	B32778H5506+000	17.5	7.0	12.0	3.8	36.3	280
56.0	30.0 × 45.0 × 57.5	B32778H5566+000	18.5	6.3	13.0	3.8	36.5	280
68.0	35.0 × 50.0 × 57.5	B32778H5686+000	22.0	5.2	14.0	3.8	36.8	108
75.0	35.0 × 50.0 × 57.5	B32778H5756+000	24.0	4.8	15.0	3.8	36.9	108
82.0	38.0 × 57.5 × 57.5	B32778H5826+000	25.0	4.4	15.0	3.9	37.0	96
90.0	38.0 × 57.5 × 57.5	B32778H5906+000	27.0	4.0	16.0	3.9	37.3	96
V_{R,85 °C} = 700 V DC, V_{op,70 °C} = 800 V DC								
39.0	30.0 × 45.0 × 57.5	B32778H8396+000	17.5	7.8	13.0	3.3	31.2	280
47.0	30.0 × 45.0 × 57.5	B32778H8476K000	19.5	6.7	14.0	3.3	31.4	280
50.0	35.0 × 50.0 × 57.5	B32778H8506+000	20.5	6.0	14.0	3.3	31.6	108
56.0	35.0 × 50.0 × 57.5	B32778H8566+000	23.5	5.5	15.0	3.4	31.8	108
68.0	38.0 × 57.5 × 57.5	B32778H8686+000	25.0	4.6	16.0	3.4	32.2	96
75.0	38.0 × 57.5 × 57.5	B32778H8756K000	26.0	4.3	17.0	3.4	32.4	96
V_{R,85 °C} = 800 V DC, V_{op,70 °C} = 900 V DC								
35.0	30.0 × 45.0 × 57.5	B32778H9356+000	18.0	7.7	13.0	2.9	27.3	280
39.0	35.0 × 50.0 × 57.5	B32778H9396+000	19.0	7.0	13.0	3.0	28.0	108
47.0	35.0 × 50.0 × 57.5	B32778H9476K000	21.5	5.9	15.0	3.0	28.1	108
50.0	38.0 × 57.5 × 57.5	B32778H9506+000	23.0	5.5	16.0	3.0	28.2	96
56.0	38.0 × 57.5 × 57.5	B32778H9566+000	24.0	4.9	17.0	3.0	28.4	96

MOQ = Minimum Order Quantity, consisting of 4 packing units.

Intermediate capacitance values are available on request.

Composition of ordering code

+ = Capacitance tolerance code:

J = ±5%

K = ±10%

Packing code:

000 = untaped (lead length 6 – 1 mm)

Other lead lengths available upon request

1) Capacitance value measured at 1 kHz

2) Max ripple current I_{RMS} at 70 °C, 10 kHz for ΔT ≤ 20 °C

3) Typical ESL value measured at resonance frequency (see specific graphs of Z versus frequency)



B32778H

MKP DC link – high density THB series

Ordering codes and packing units (lead spacing 52.5 mm, P₁ = 20.3 mm)

C _R ¹⁾	Max. dimensions w × h × l	Ordering code (composition see below)	I _{RMS,max} ²⁾ 70 °C 10 kHz A	ESR _{typ} 70 °C 10 kHz mΩ	ESL _{typ} ³⁾ 70 °C 10 kHz nH	tan δ max. 1 kHz 10 ⁻³	tan δ max. 10 kHz 10 ⁻³	Un- taped pcs./ MOQ
V _{R,85 °C} = 920 V DC, V _{op,70 °C} = 1100 V DC								
27.0	30.0 × 45.0 × 57.5	B32778H0276+000	16.0	8.9	13.0	2.6	24.5	280
30.0	30.0 × 45.0 × 57.5	B32778H0306K000	17.5	8.2	13.0	2.6	24.6	280
33.0	35.0 × 50.0 × 57.5	B32778H0336+000	18.5	7.4	14.0	2.7	25.0	108
35.0	35.0 × 50.0 × 57.5	B32778H0356+000	19.5	6.9	15.0	2.7	25.1	108
39.0	35.0 × 50.0 × 57.5	B32778H0396K000	21.5	6.5	15.0	2.7	25.1	108
47.0	38.0 × 57.5 × 57.5	B32778H0476+000	23.0	5.3	17.0	2.7	25.4	96
V _{R,85 °C} = 1100 V DC, V _{op,70 °C} = 1300 V DC								
18.0	30.0 × 45.0 × 57.5	B32778H1186+000	15.0	10.6	13.0	2.1	19.9	280
22.0	35.0 × 50.0 × 57.5	B32778H1226+000	17.0	8.8	14.0	2.1	20.1	108
27.0	35.0 × 50.0 × 57.5	B32778H1276K000	19.5	7.5	15.0	2.2	20.3	108
30.0	38.0 × 57.5 × 57.5	B32778H1306+000	21.0	6.8	16.0	2.3	20.9	96
33.0	38.0 × 57.5 × 57.5	B32778H1336K000	22.0	6.0	17.0	2.3	21.0	96

MOQ = Minimum Order Quantity, consisting of 4 packing units.

Intermediate capacitance values are available on request.

Composition of ordering code

+ = Capacitance tolerance code:

J = ±5%

K = ±10%

Packing code:

000 = untaped (lead length 6 – 1 mm)

Other lead lengths available upon request

1) Capacitance value measured at 1 kHz

2) Max ripple current I_{RMS} at 70 °C, 10 kHz for ΔT ≤ 20 °C

3) Typical ESL value measured at resonance frequency (see specific graphs of Z versus frequency)



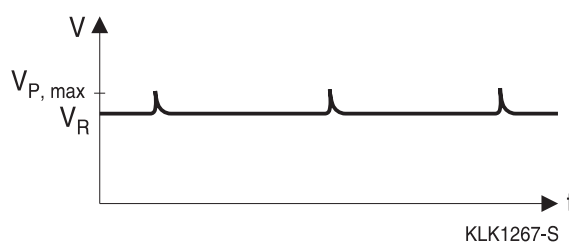
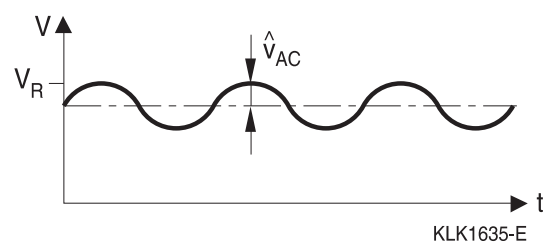
Technical data

Reference standard: IEC 61071:2007 and AEC-Q200D. All data given at T = 20 °C, unless otherwise specified.

Rated temperature T_R	+85 °C					
Operating temperature range (case)	Max. operating temperature, $T_{op,max}$	+105 °C				
	Upper category temperature T_{max}	+105 °C				
	Lower category temperature T_{min}	-40 °C				
Insulation resistance R_{ins} given as time constant $\tau = C_R \cdot R_{ins}$, rel. humidity $\leq 65\%$ (minimum as-delivered values)	$\tau > 10\,000$ s (after 1 min.) For $V_R \geq 500$ V measured at 500 V For $V_R < 500$ V measured at V_R					
DC test voltage between terminals (10 s)	$1.5 \cdot V_R$					
Voltage test terminal to case (10 s)	2110 V AC, 50 Hz					
Pulse Handling Capability (V/ μ s)	I_P (A) / C (μ F)					
Reliability:	Failure rate λ	10 fit ($\leq 1 \cdot 10^{-9}$ /h) at $0.5 \cdot V_R$, 40 °C For conversion to other operating conditions and temperatures, refer to chapter "Quality, 2 Reliability".				
	Service life t_{SL}	50 000 h at V_R and 85 °C				
Advanced biased humidity ¹⁾ Limit values after test	1000 hours / 60 °C / 95% relative humidity with $V_{R,DC}$ Capacitance change $ \Delta C/C \leq 5\%$ Dissipation factor change $\Delta \tan \delta \leq 200\%$ (at 10 kHz) Insulation resistance $R_{ins} \geq 100$ M Ω					
V_R (V DC)	450	500	700	800	920	1100
Continuous operation voltage V_{op} (V DC) at 70 °C	450	575	800	900	1100	1300
Continuous operation voltage V_{op} (V DC) at 85 °C	450	500	700	800	920	1100
For temperatures between 85 °C and 105 °C	1.33%/°C of V_{op} derating compared to V_{op} at 85 °C					

1) 1000 hours / 85 °C / 85 °C relative humidity with V_R available on request, based on special design.

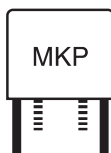
Typical waveforms



Restrictions:

V_R : Maximum operating peak voltage of either polarity but of a non-reversing waveform, for which the capacitor has been designed for continuous operation.

$$\hat{V}_{AC} \leq 0.2 \cdot V_R$$


B32774H ... B32778H
MKP DC link – high density THB series

Overvoltage	Maximum duration within one day	Observation
$1.1 \cdot V_R$	30% of on-load duration	System regulation
$1.15 \cdot V_R$	30 min.	System regulation
$1.2 \cdot V_R$	5 min.	System regulation
$1.3 \cdot V_R$	1 min.	System regulation

NOTE 1 An overvoltage equal to $1.5 \cdot V_R$ for 30 ms is permitted 1000 times during the life of the capacitor.

The amplitudes of the overvoltages that may be tolerated without significant reduction in the life time of the capacitor depend on their duration, the number of application and the capacitor temperature.

In addition these values assume that the overvoltages may appear when the internal temperature of the capacitor is less than 0 °C but within the temperature category.

NOTE 2 The average applied voltage must not be higher than the specified voltage.

Pulse handling capability

"dV/dt" represents the maximum permissible voltage change per unit of time for non-sinusoidal voltages, expressed in V/μs.

Note:

The values of dV/dt provided below must not be exceeded in order to avoid damaging the capacitor.

dV/dt values

Lead spacing	27.5 mm						37.5 mm					
Type	B32774						B32776					
V_R (V DC)	450	500	700	800	920	1100	450	500	700	800	920	1100
dV/dt in V/μs	30	35	40	50	75	100	21	22	22	35	54	73

Lead spacing	52.5 mm					
Type	B32778					
V_R (V DC)	450	500	700	800	920	1100
dV/dt in V/μs	14	14	15	22	35	50

B32774H

MKP DC link – high density THB series



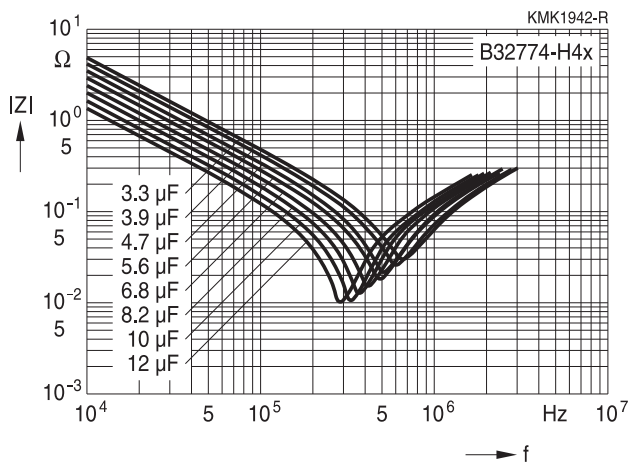
Characteristics curves

Additional technical information can be found under "Design support" on www.epcos.com.

Impedance Z versus frequency f (typical values)

Lead spacing 27.5 mm

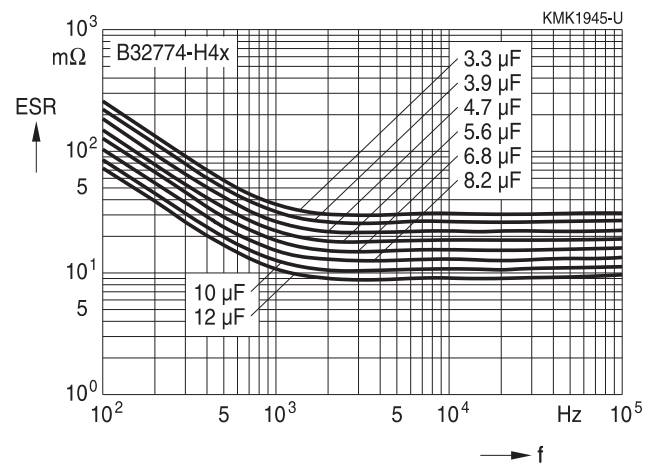
450 V DC



ESR versus frequency f (typical values)

Lead spacing 27.5 mm

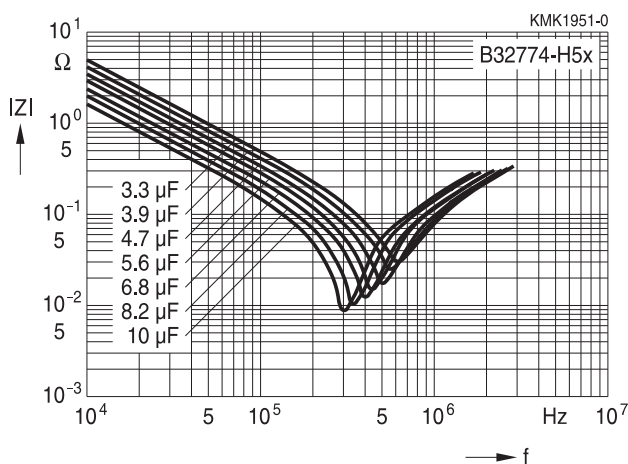
450 V DC



Impedance Z versus frequency f (typical values)

Lead spacing 27.5 mm

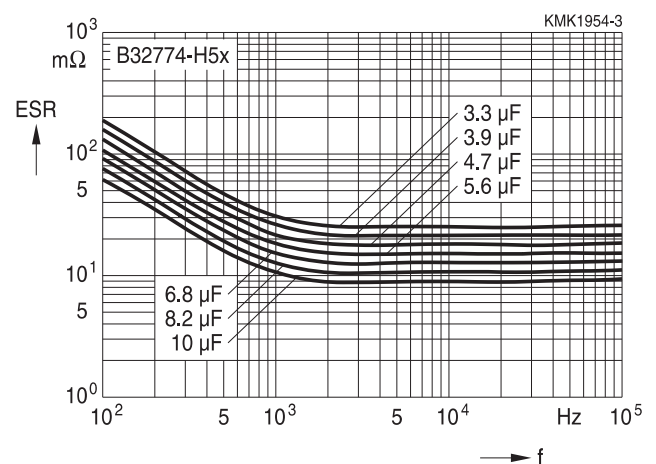
500 V DC



ESR versus frequency f (typical values)

Lead spacing 27.5 mm

500 V DC





B32774H

MKP DC link – high density THB series

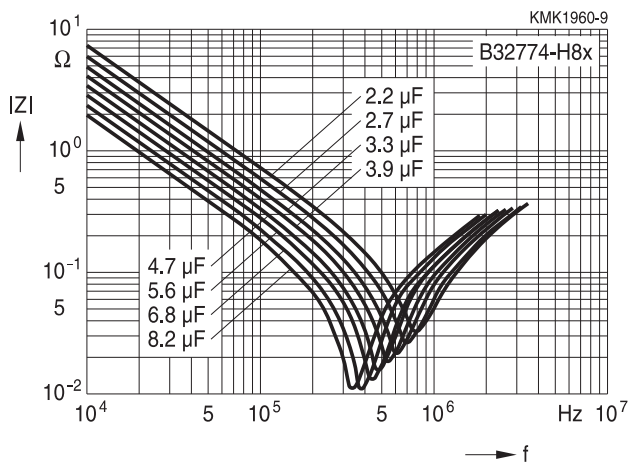
Characteristics curves

Additional technical information can be found under "Design support" on www.epcos.com.

Impedance Z versus frequency f
(typical values)

Lead spacing 27.5 mm

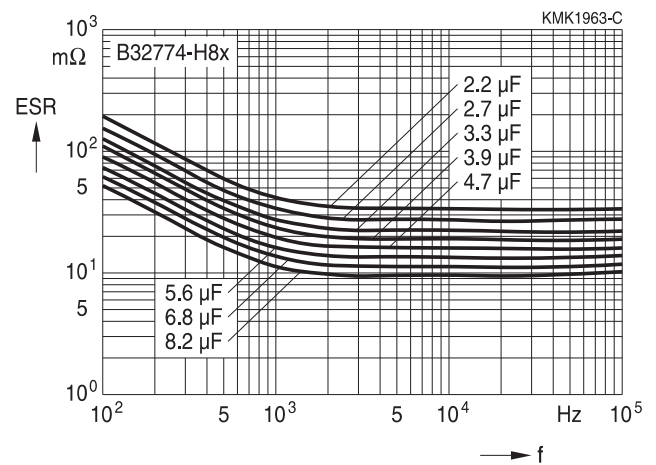
700 V DC



ESR versus frequency f
(typical values)

Lead spacing 27.5 mm

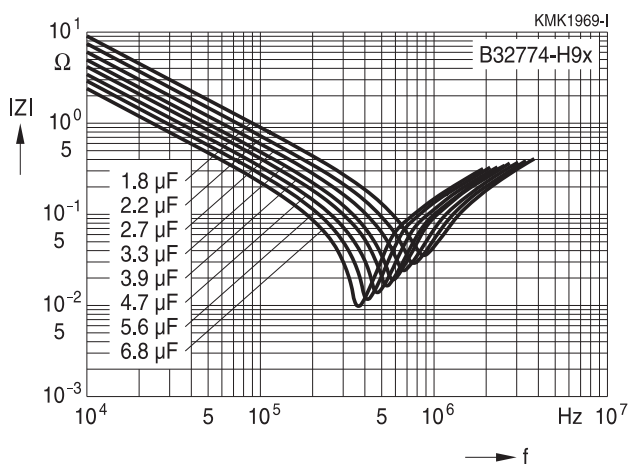
700 V DC



Impedance Z versus frequency f
(typical values)

Lead spacing 27.5 mm

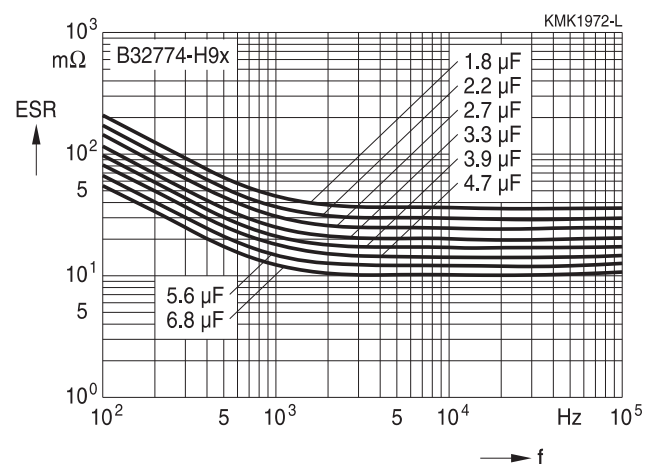
800 V DC



ESR versus frequency f
(typical values)

Lead spacing 27.5 mm

800 V DC



B32774H

MKP DC link – high density THB series



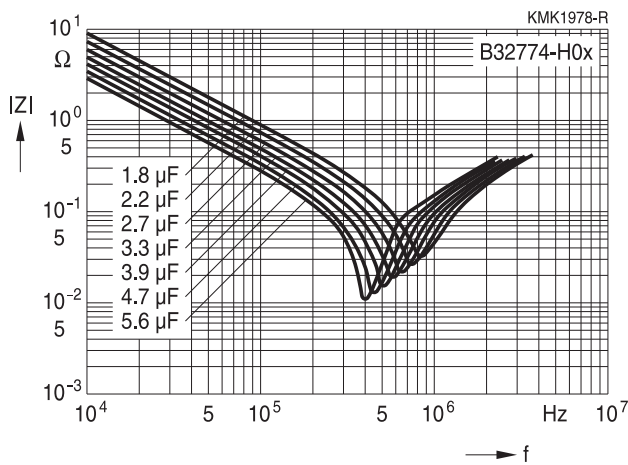
Characteristics curves

Additional technical information can be found under "Design support" on www.epcos.com.

Impedance Z versus frequency f (typical values)

Lead spacing 27.5 mm

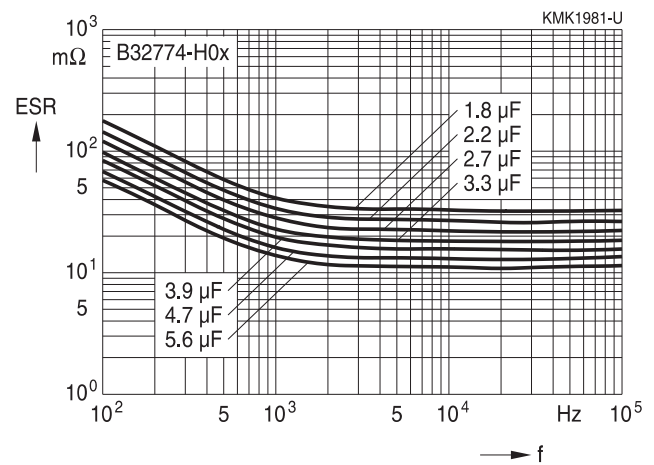
920 V DC



ESR versus frequency f (typical values)

Lead spacing 27.5 mm

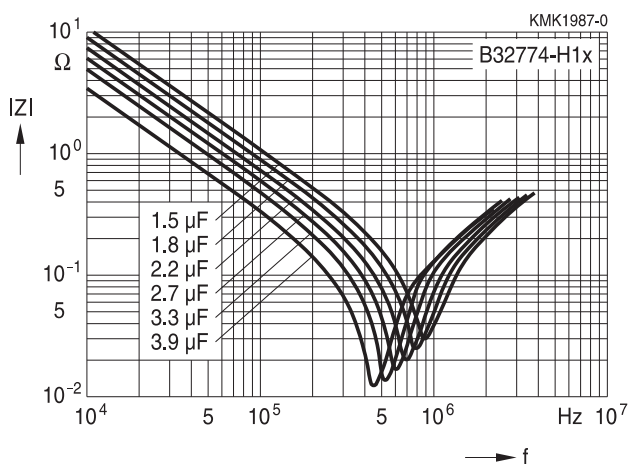
920 V DC



Impedance Z versus frequency f (typical values)

Lead spacing 27.5 mm

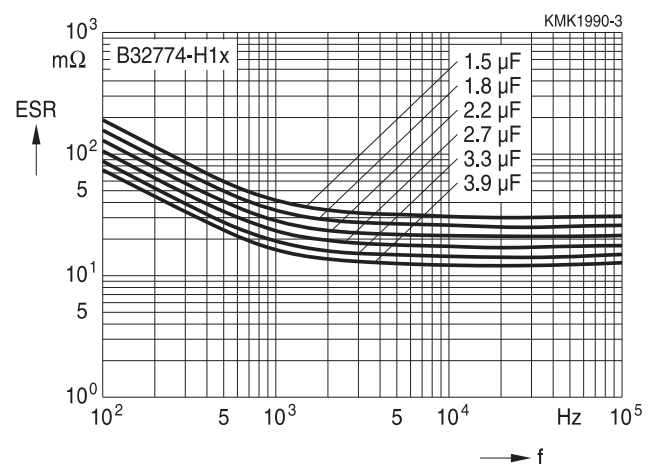
1100 V DC



ESR versus frequency f (typical values)

Lead spacing 27.5 mm

1100 V DC





B32776H

MKP DC link – high density THB series

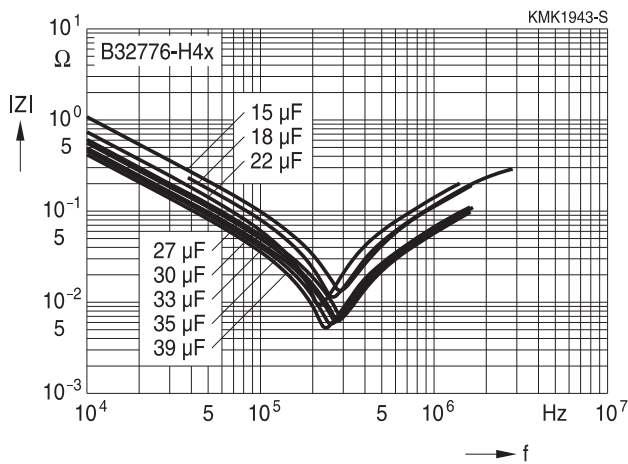
Characteristics curves

Additional technical information can be found under "Design support" on www.epcos.com.

Impedance Z versus frequency f (typical values)

Lead spacing 37.5 mm

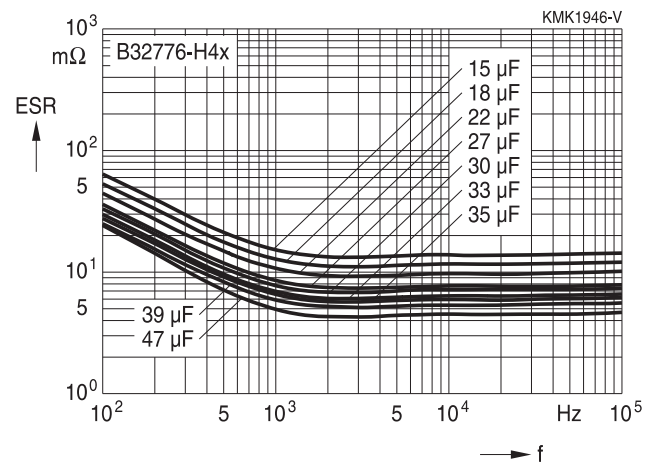
450 V DC



ESR versus frequency f (typical values)

Lead spacing 37.5 mm

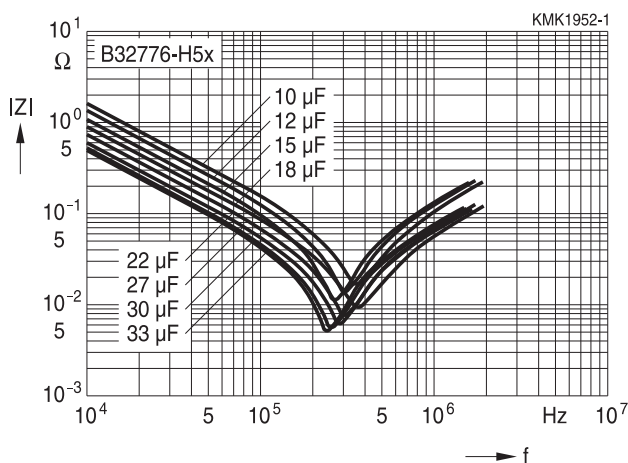
450 V DC



Impedance Z versus frequency f (typical values)

Lead spacing 37.5 mm

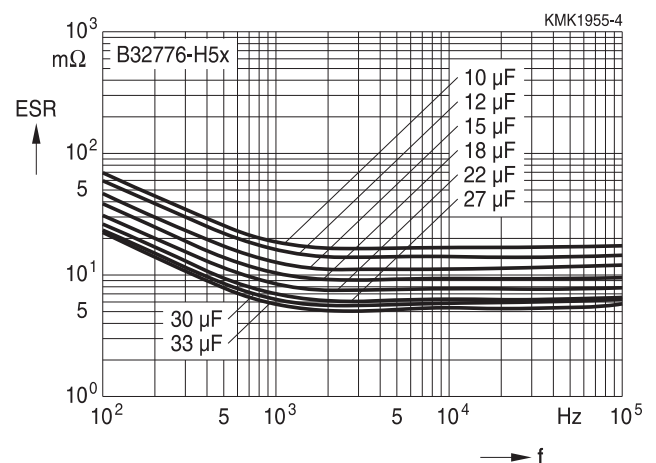
500 V DC



ESR versus frequency f (typical values)

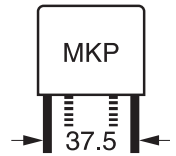
Lead spacing 37.5 mm

500 V DC



B32776H

MKP DC link – high density THB series



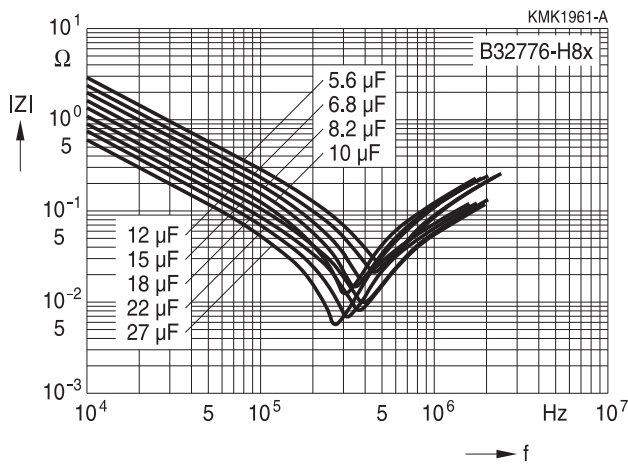
Characteristics curves

Additional technical information can be found under "Design support" on www.epcos.com.

Impedance Z versus frequency f (typical values)

Lead spacing 37.5 mm

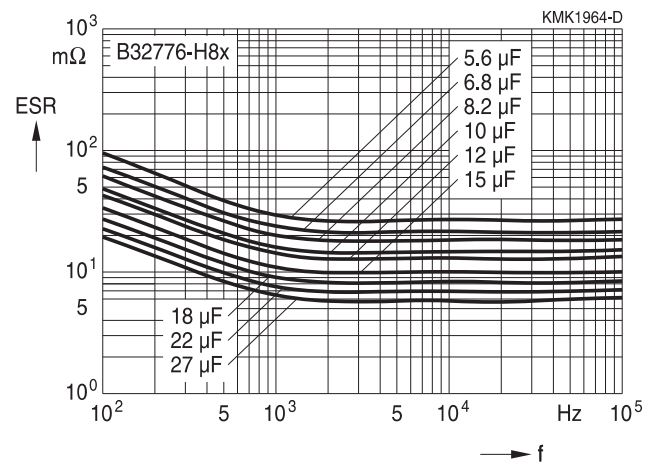
700 V DC



ESR versus frequency f (typical values)

Lead spacing 37.5 mm

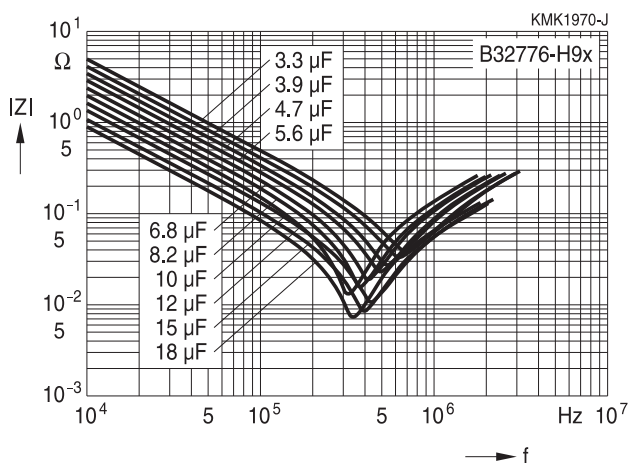
700 V DC



Impedance Z versus frequency f (typical values)

Lead spacing 37.5 mm

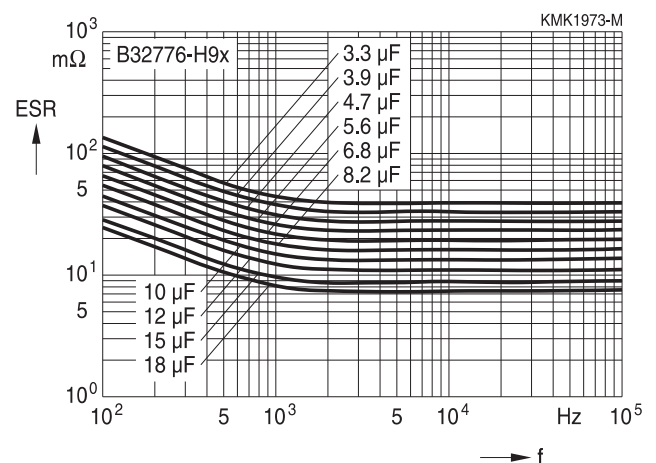
800 V DC



ESR versus frequency f (typical values)

Lead spacing 37.5 mm

800 V DC





B32776H

MKP DC link – high density THB series

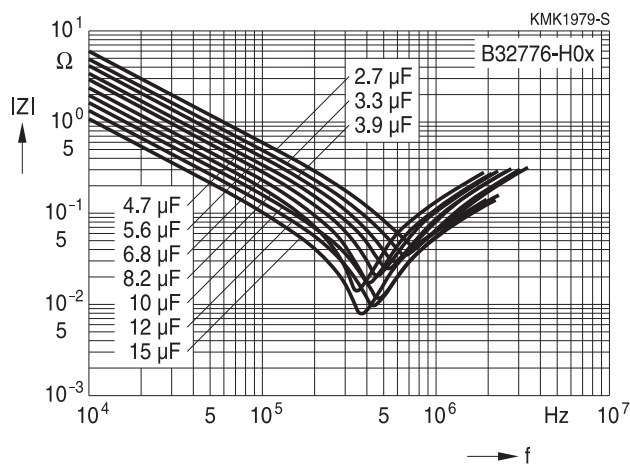
Characteristics curves

Additional technical information can be found under "Design support" on www.epcos.com.

Impedance Z versus frequency f (typical values)

Lead spacing 37.5 mm

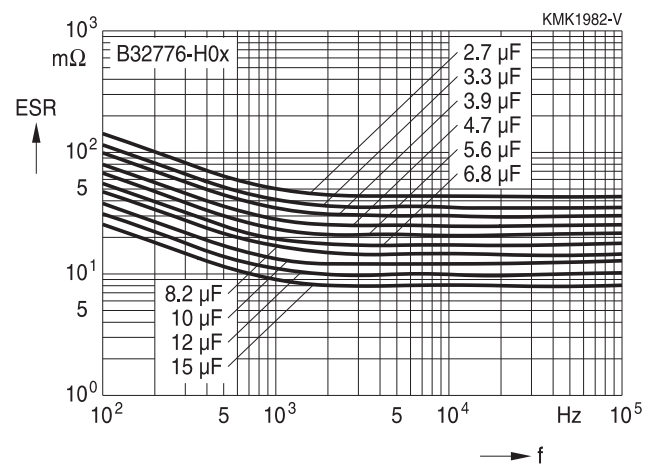
920 V DC



ESR versus frequency f (typical values)

Lead spacing 37.5 mm

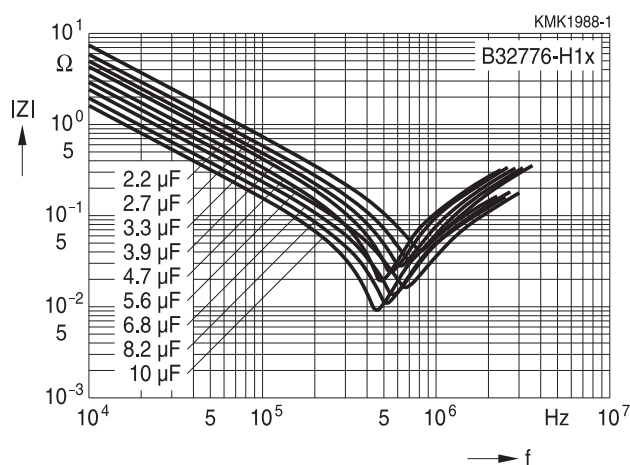
920 V DC



Impedance Z versus frequency f (typical values)

Lead spacing 37.5 mm

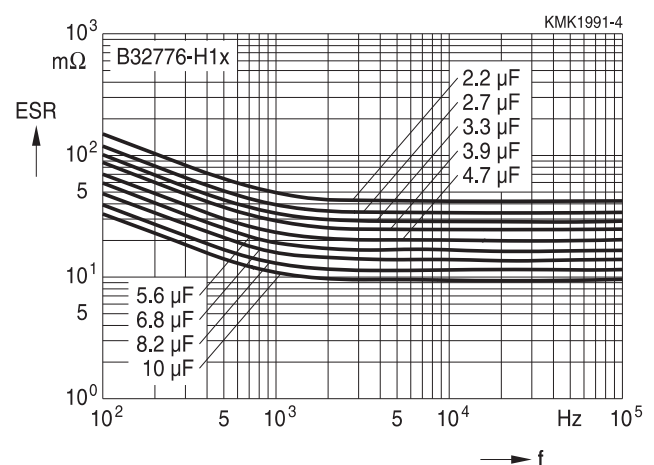
1100 V DC

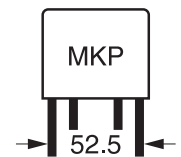


ESR versus frequency f (typical values)

Lead spacing 37.5 mm

1100 V DC





B32778H

MKP DC link – high density THB series

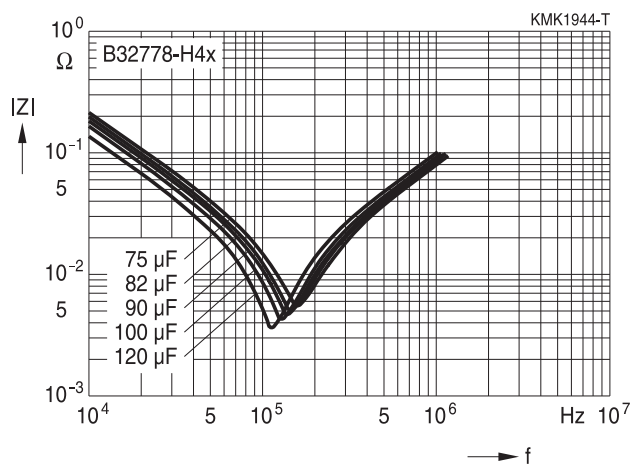
Characteristics curves

Additional technical information can be found under "Design support" on www.epcos.com.

Impedance Z versus frequency f
(typical values)

Lead spacing 52.5 mm

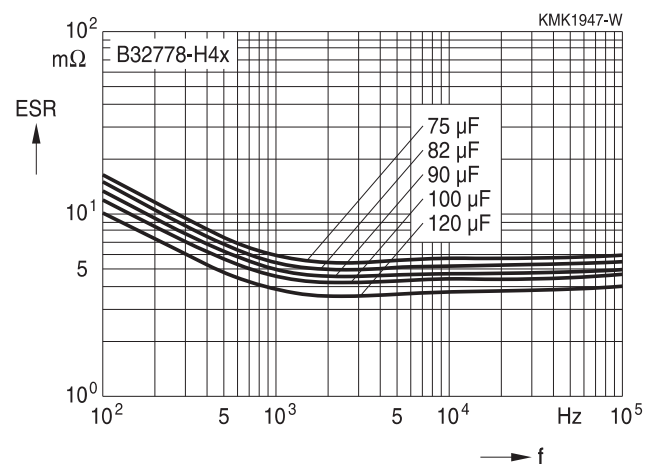
450 V DC



ESR versus frequency f
(typical values)

Lead spacing 52.5 mm

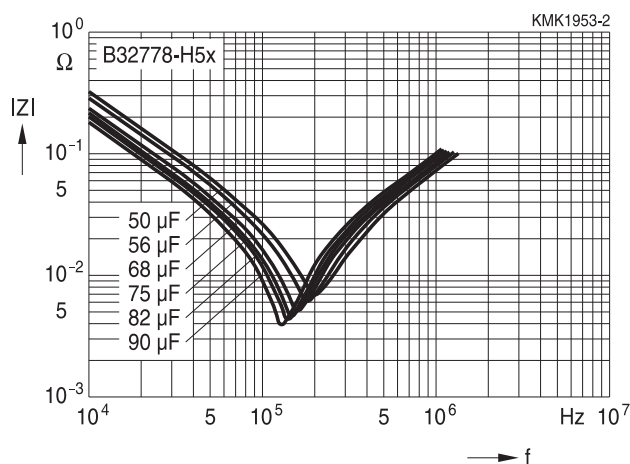
450 V DC



Impedance Z versus frequency f
(typical values)

Lead spacing 52.5 mm

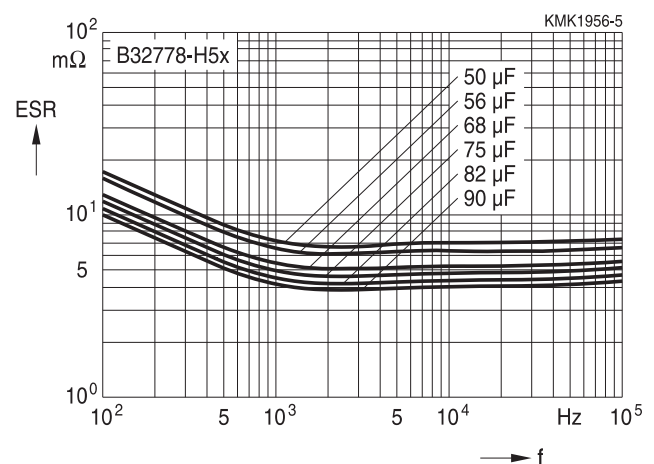
500 V DC

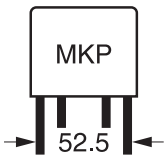


ESR versus frequency f
(typical values)

Lead spacing 52.5 mm

500 V DC





B32778H

MKP DC link – high density THB series

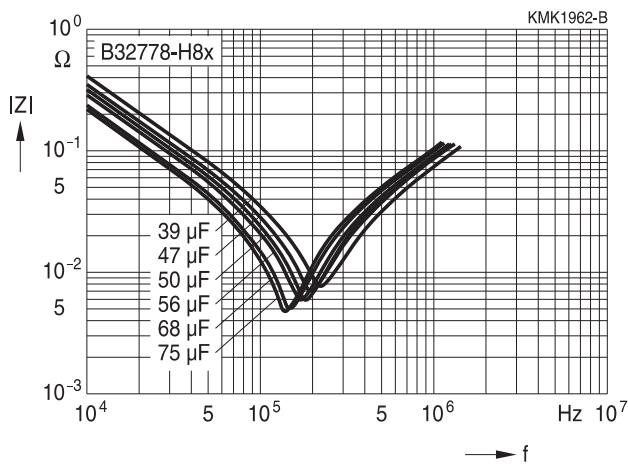
Characteristics curves

Additional technical information can be found under "Design support" on www.epcos.com.

Impedance Z versus frequency f
(typical values)

Lead spacing 52.5 mm

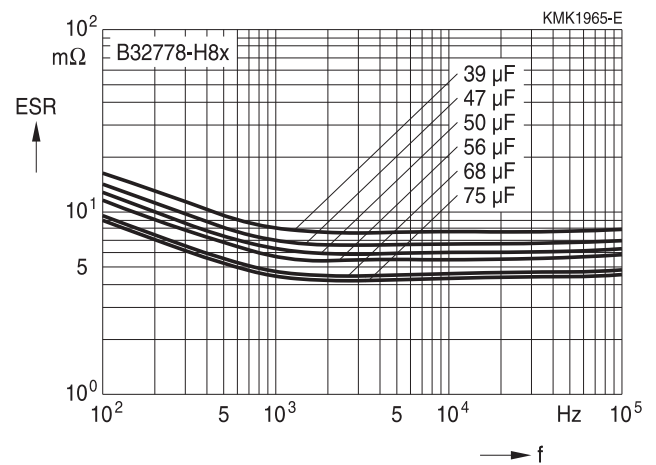
700 V DC



ESR versus frequency f
(typical values)

Lead spacing 52.5 mm

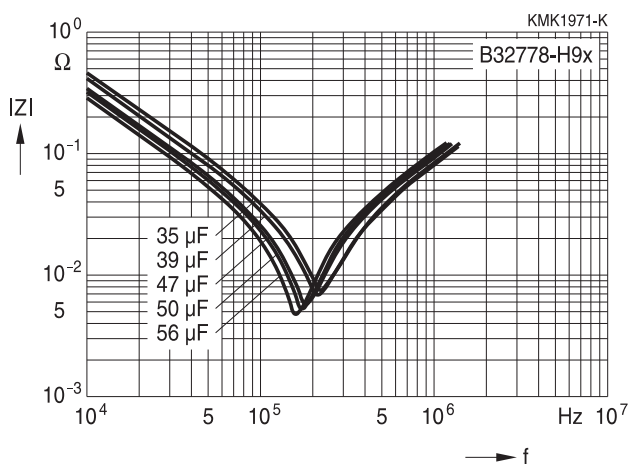
700 V DC



Impedance Z versus frequency f
(typical values)

Lead spacing 52.5 mm

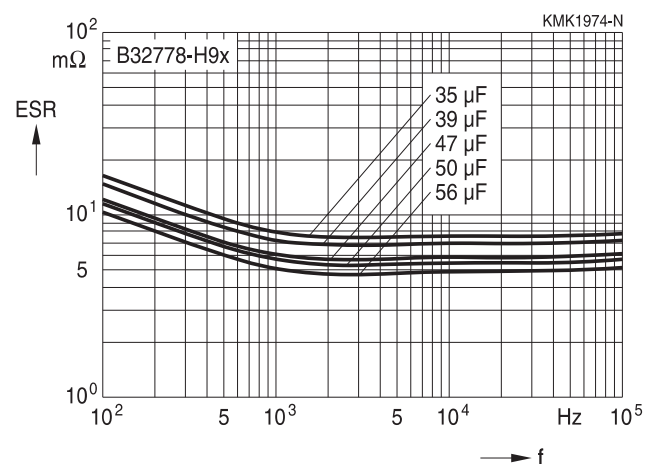
800 V DC

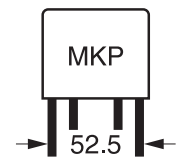


ESR versus frequency f
(typical values)

Lead spacing 52.5 mm

800 V DC





B32778H

MKP DC link – high density THB series

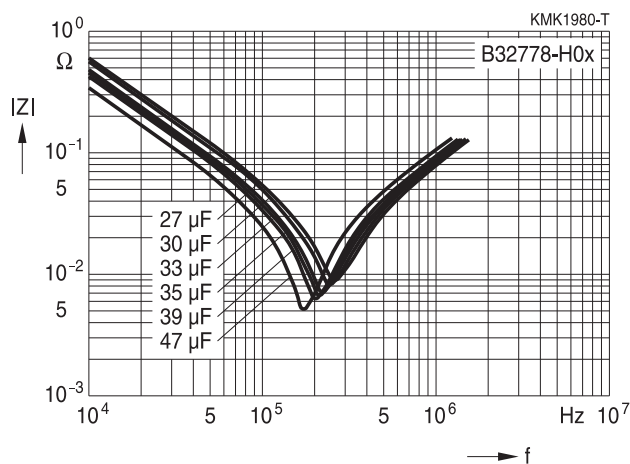
Characteristics curves

Additional technical information can be found under "Design support" on www.epcos.com.

Impedance Z versus frequency f
(typical values)

Lead spacing 52.5 mm

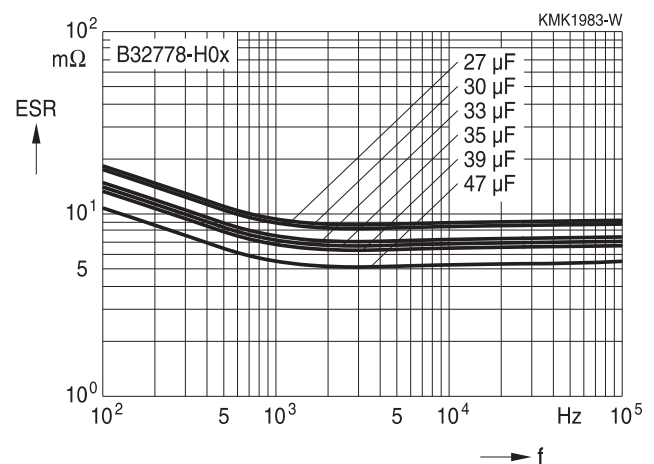
920 V DC



ESR versus frequency f
(typical values)

Lead spacing 52.5 mm

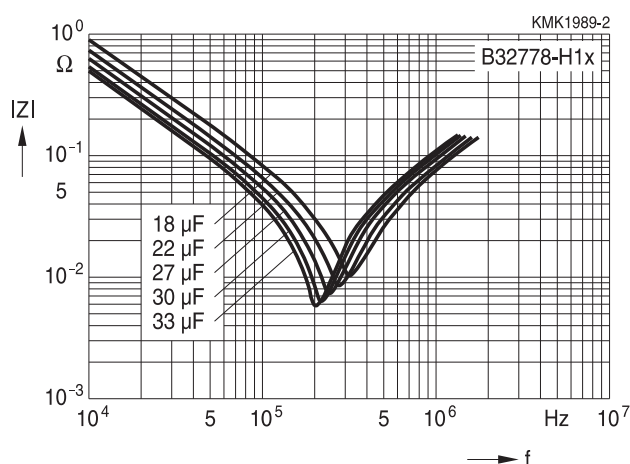
920 V DC



Impedance Z versus frequency f
(typical values)

Lead spacing 27.5 mm

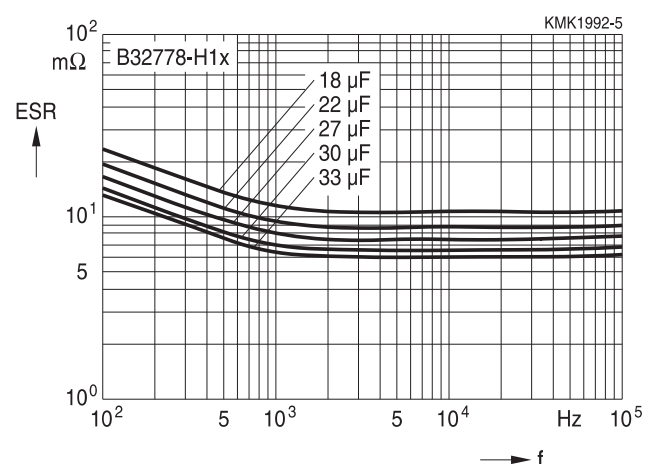
1100 V DC



ESR versus frequency f
(typical values)

Lead spacing 27.5 mm

1100 V DC





B32774H

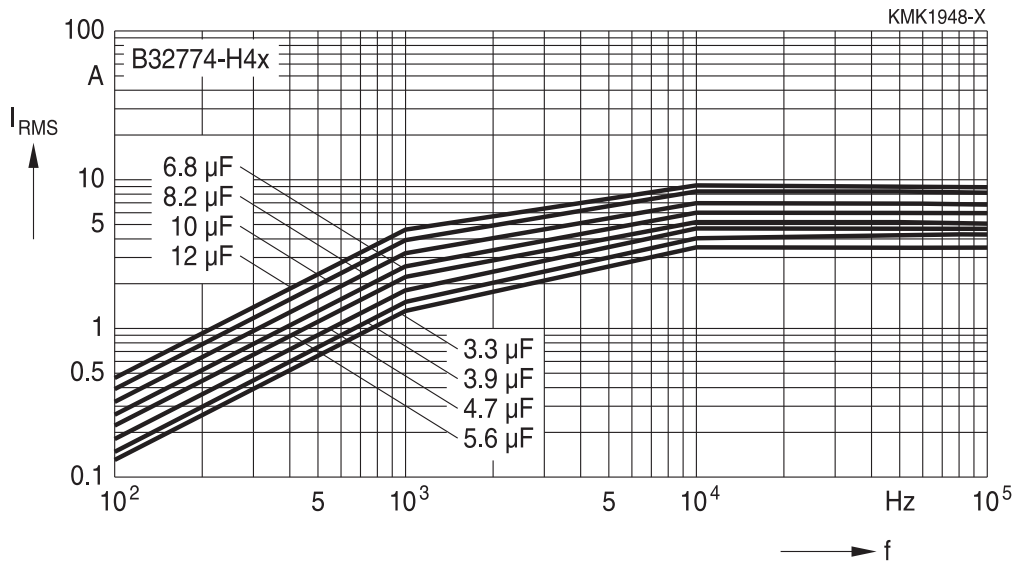
MKP DC link – high density THB series

Characteristics curves

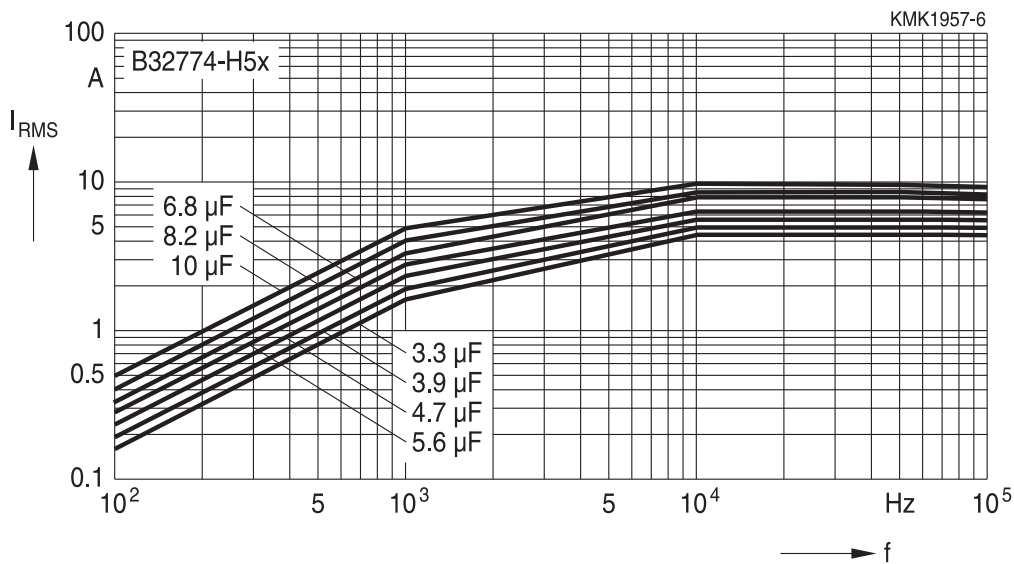
Permissible current I_{RMS} versus frequency f at 70 °C

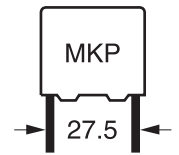
Lead spacing 27.5 mm

450 V DC



500 V DC





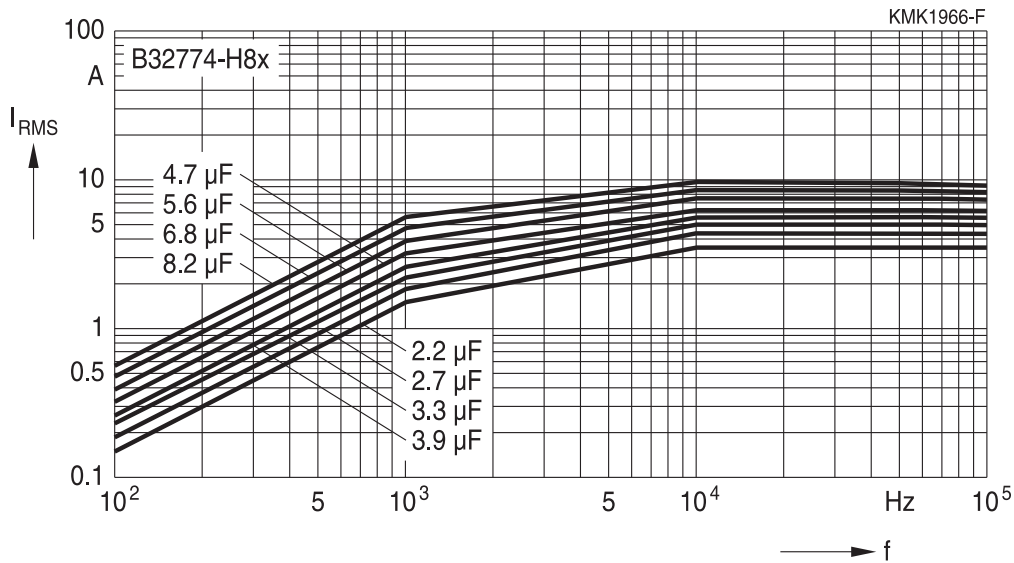
B32774H
MKP DC link – high density THB series

Characteristics curves

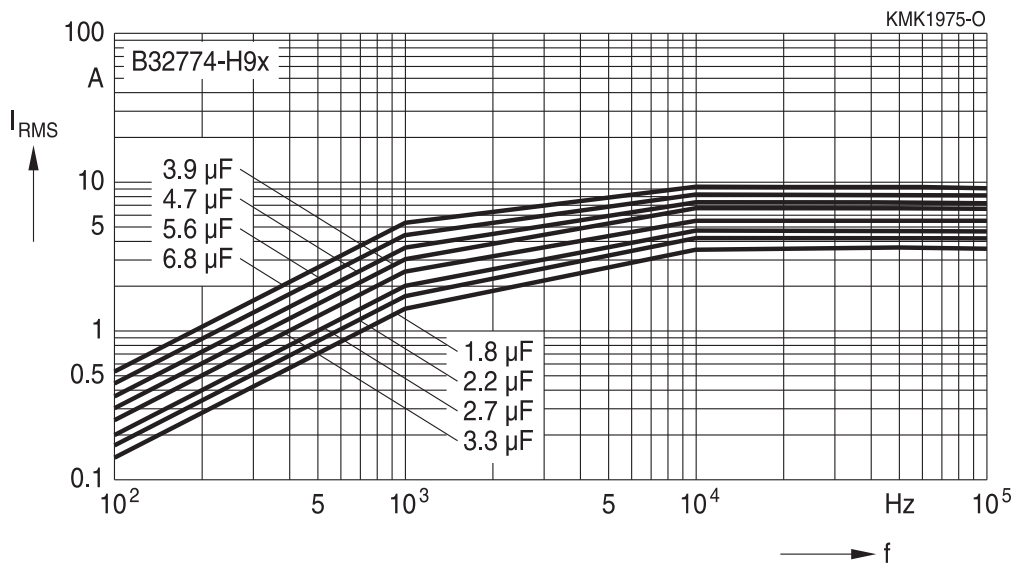
Permissible current I_{RMS} versus frequency f at 70 °C

Lead spacing 27.5 mm

700 V DC



800 V DC





B32774H

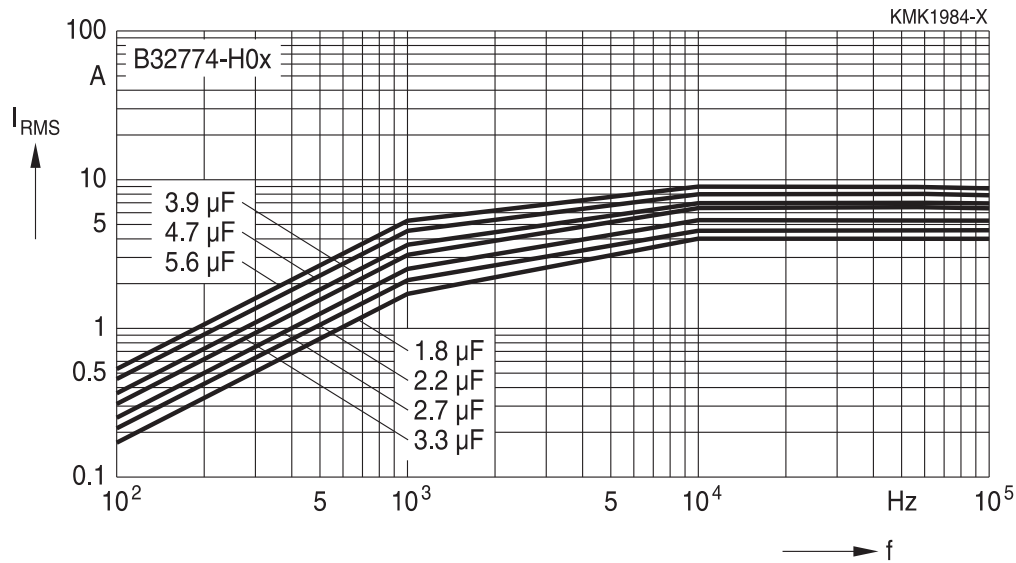
MKP DC link – high density THB series

Characteristics curves

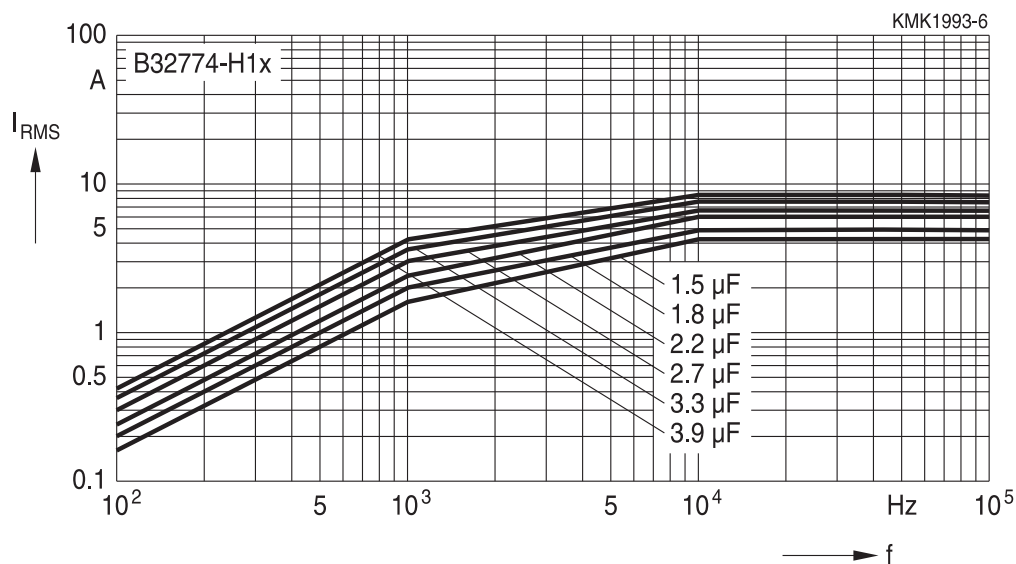
Permissible current I_{RMS} versus frequency f at 70 °C

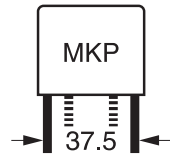
Lead spacing 27.5 mm

920 V DC



1100 V DC





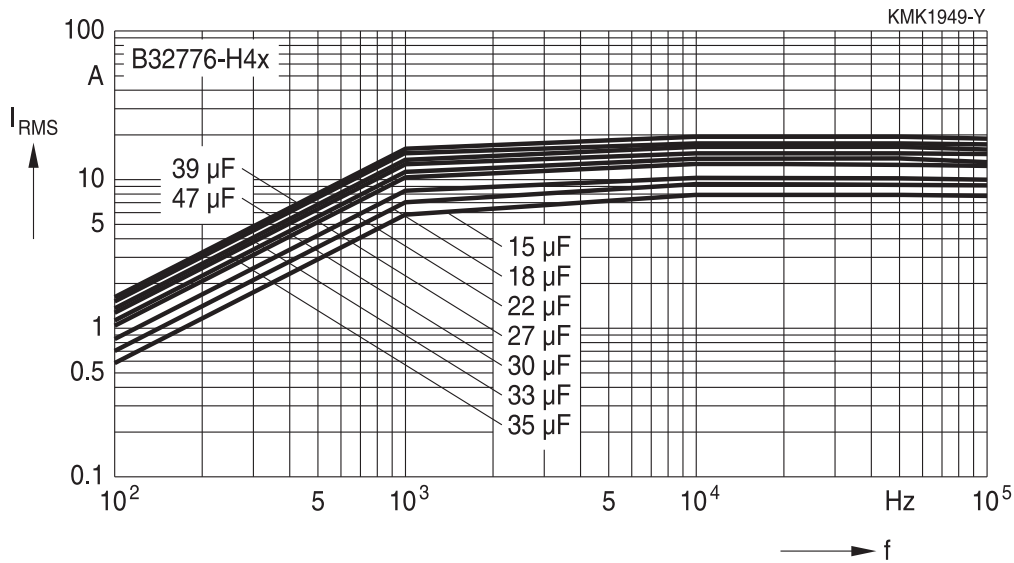
B32776H
MKP DC link – high density THB series

Characteristics curves

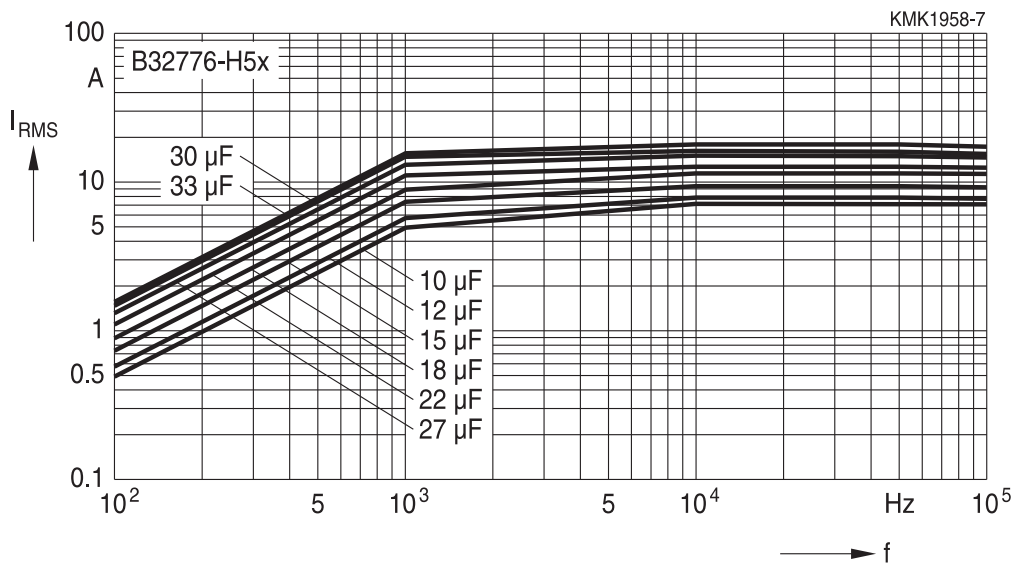
Permissible current I_{RMS} versus frequency f at 70 °C

Lead spacing 37.5 mm

450 V DC



500 V DC





B32776H

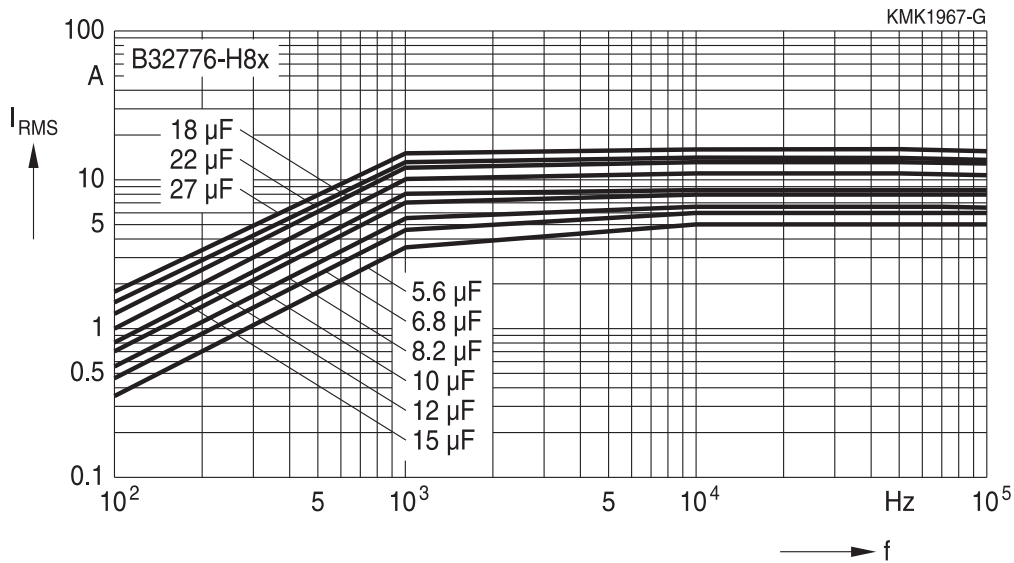
MKP DC link – high density THB series

Characteristics curves

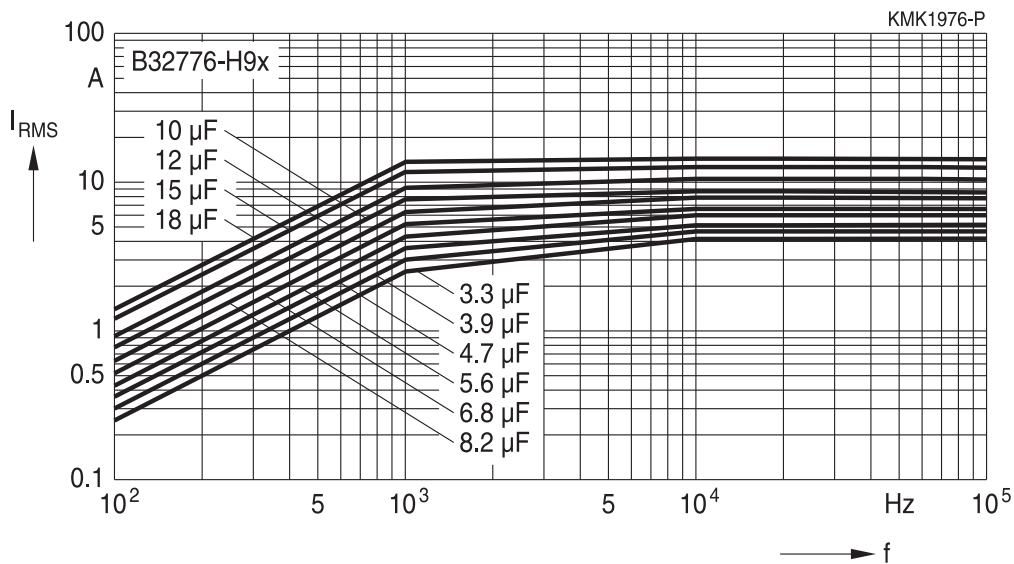
Permissible current I_{RMS} versus frequency f at 70 °C

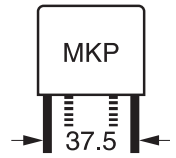
Lead spacing 37.5 mm

700 V DC



800 V DC





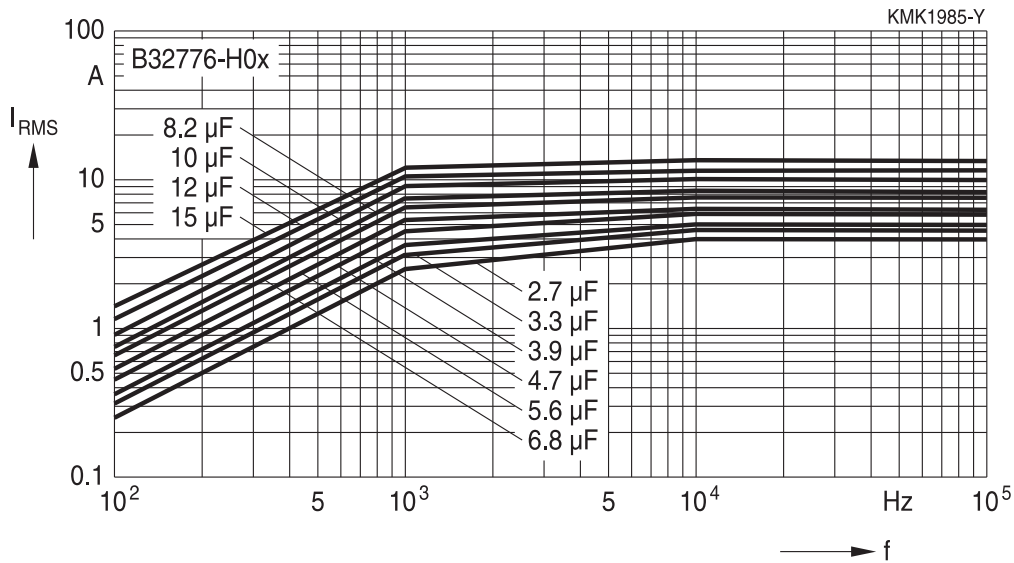
B32776H
MKP DC link – high density THB series

Characteristics curves

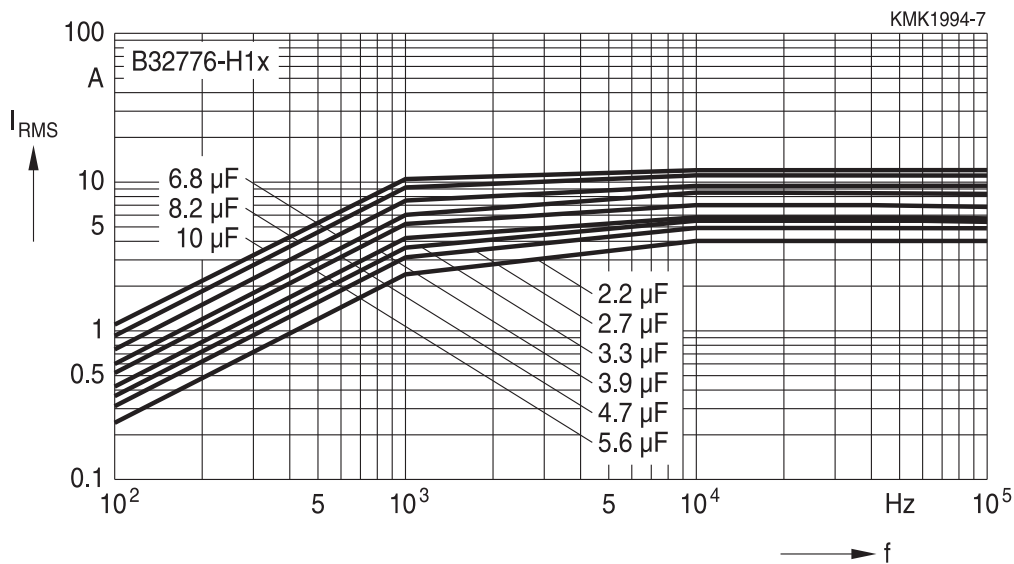
Permissible current I_{RMS} versus frequency f at 70 °C

Lead spacing 37.5 mm

920 V DC



1100 V DC





B32778H

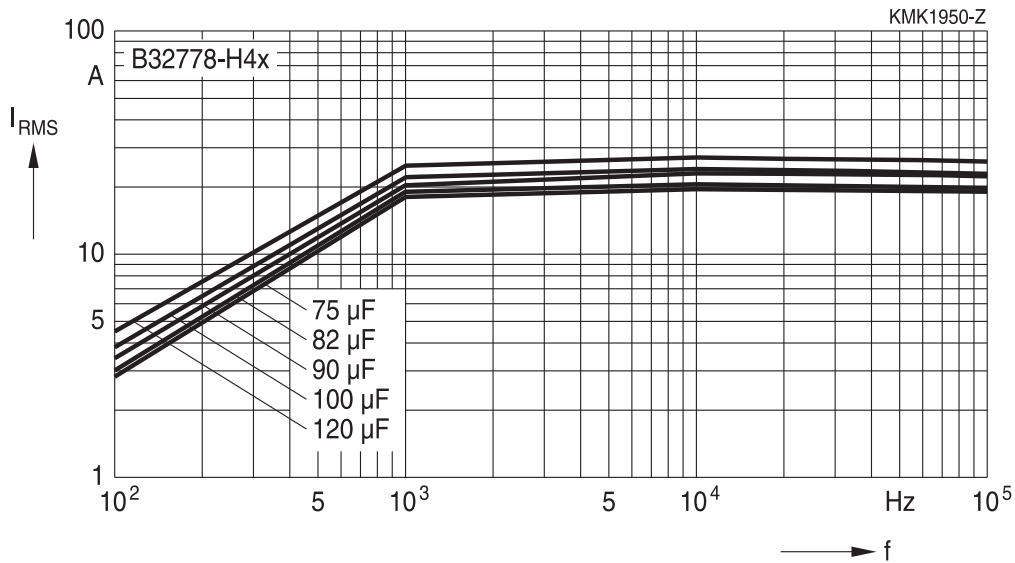
MKP DC link – high density THB series

Characteristics curves

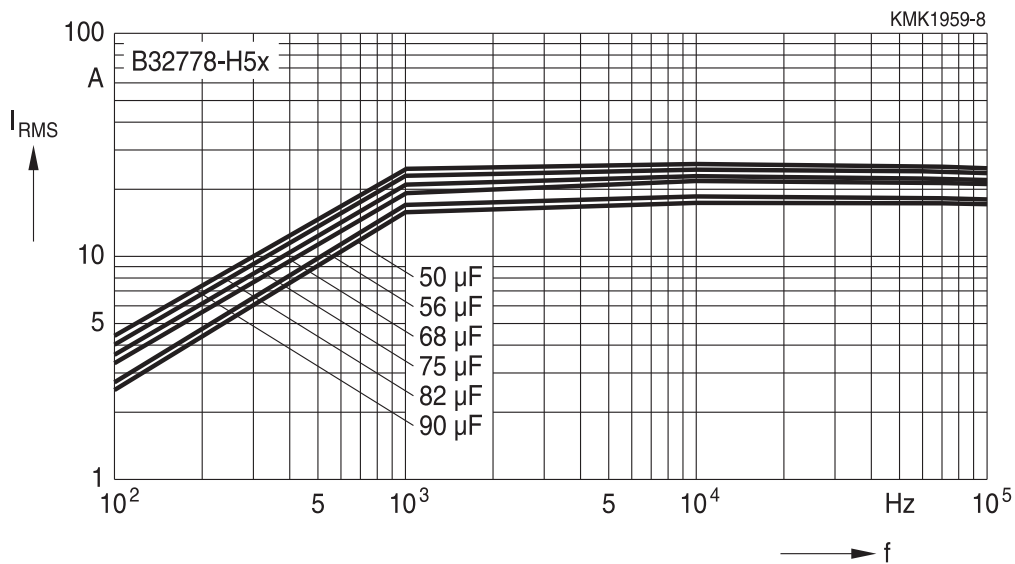
Permissible current I_{RMS} versus frequency f at 70 °C

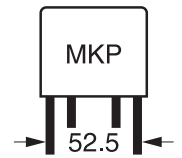
Lead spacing 52.5 mm

450 V DC



500 V DC





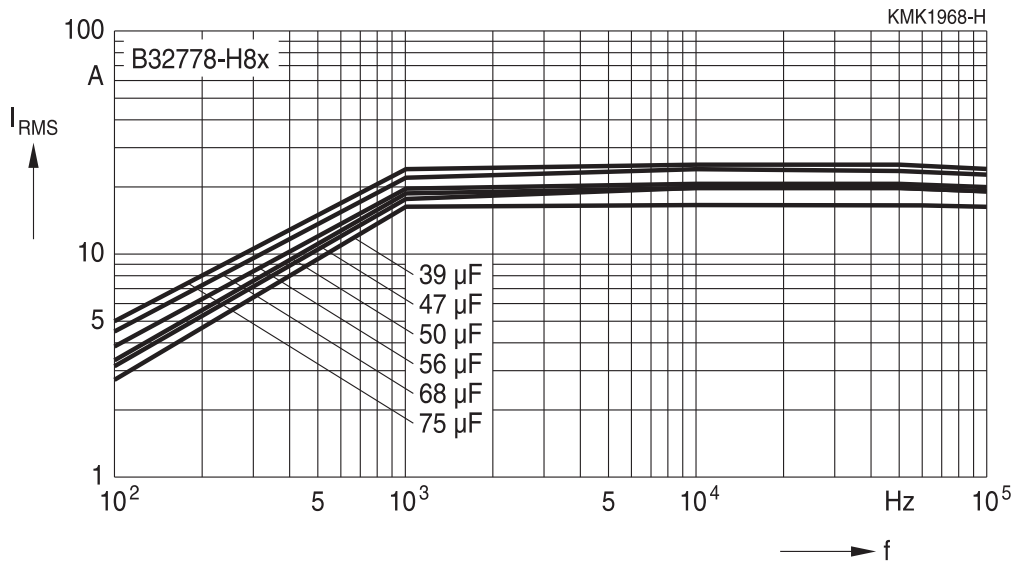
B32778H
MKP DC link – high density THB series

Characteristics curves

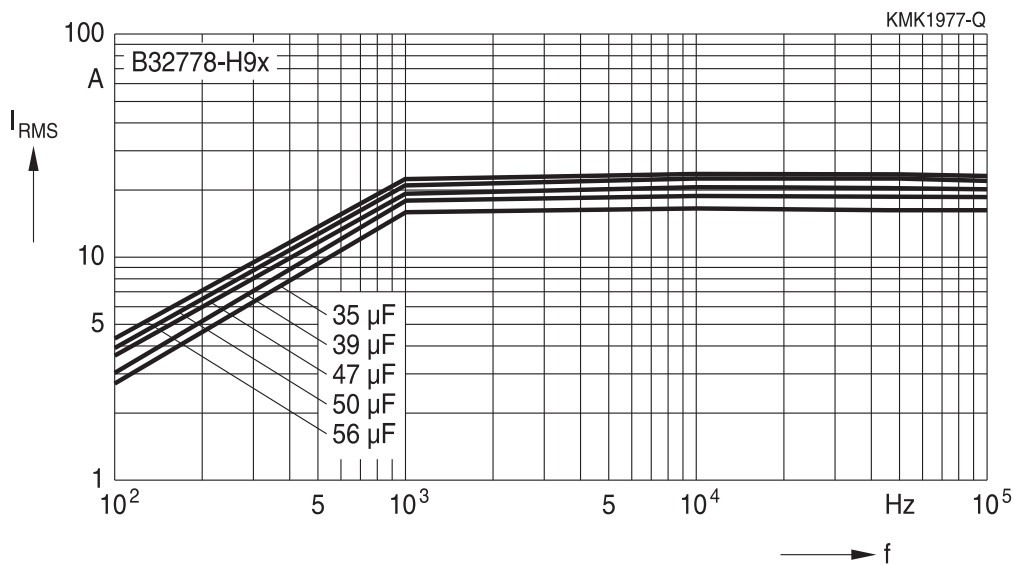
Permissible current I_{RMS} versus frequency f at 70 °C

Lead spacing 52.5 mm

700 V DC



800 V DC





B32778H

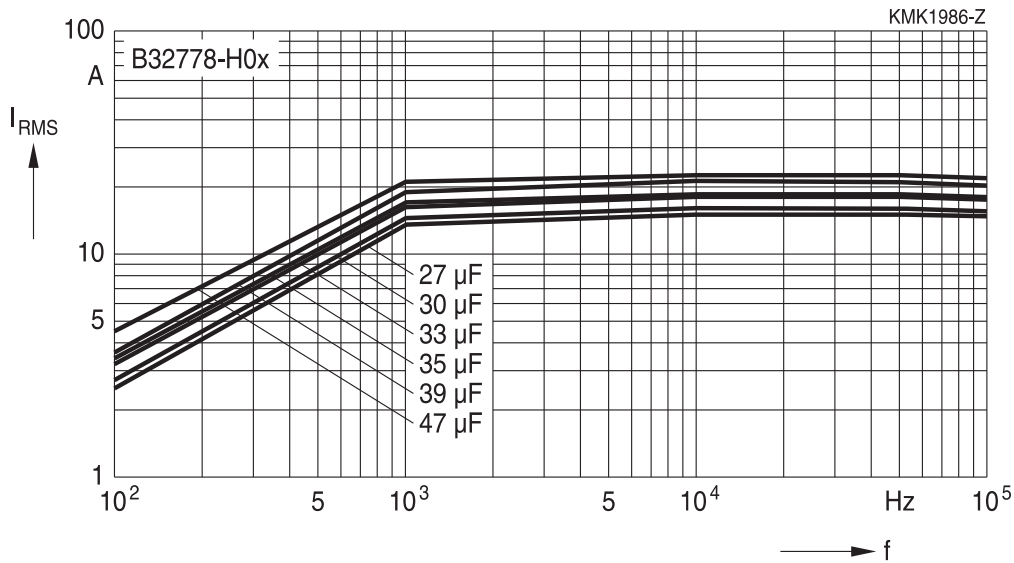
MKP DC link – high density THB series

Characteristics curves

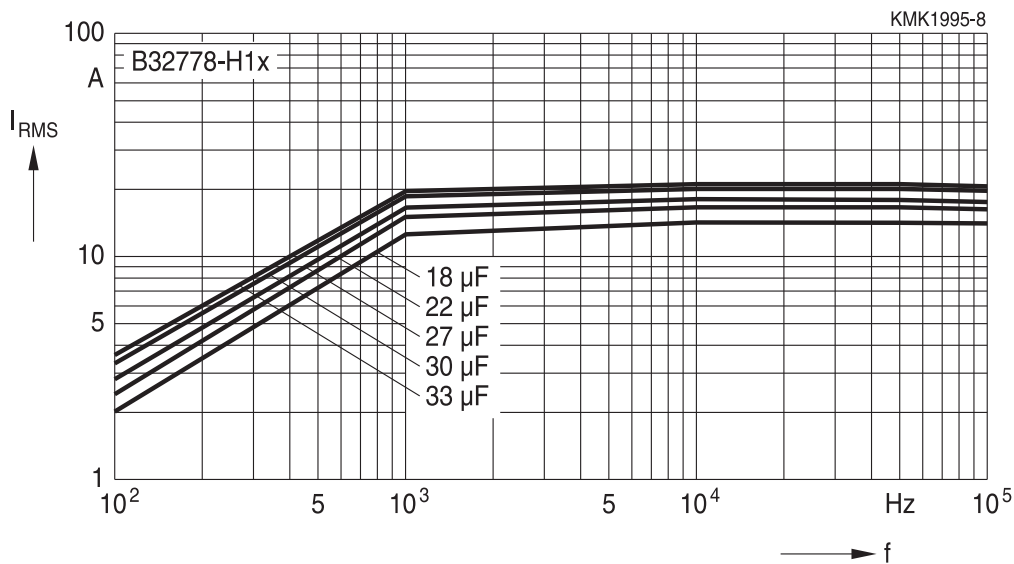
Permissible current I_{RMS} versus frequency f at 70 °C

Lead spacing 52.5 mm

920 V DC

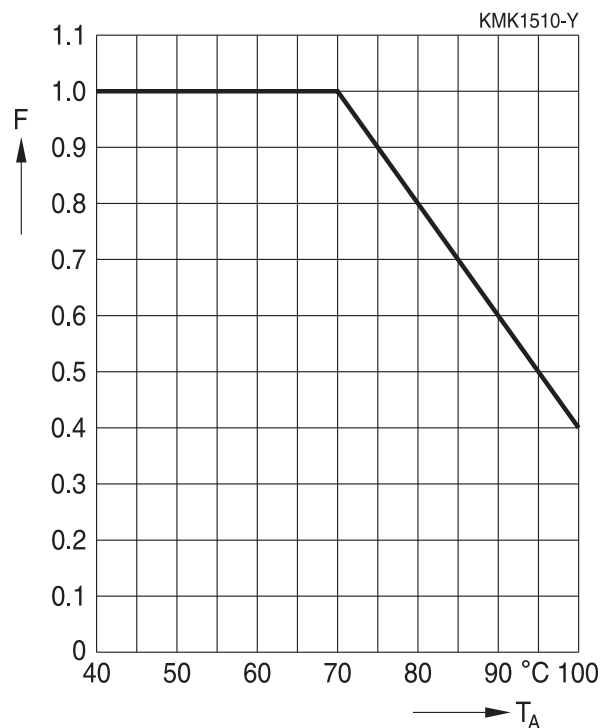


1100 V DC





Curves characteristics (I_{RMS} derating versus temperature)



Maximum I_{RMS} current as function of the ambient temperature: $I_{RMS}(T_A) = \text{Factor} \times I_{RMS}(70\text{ °C})$



B32774H ... B32778H

MKP DC link – high density THB series

Heat transference for self heating calculation



Figure 1

Box dimensions			Equivalent heat coefficient
w (mm)	h (mm)	l (mm)	G (mW/°C)
11.0	19.0	31.5	25
11.0	21.0	31.5	28
12.5	21.5	31.5	30
13.5	23.0	31.5	32
14.0	24.5	31.5	35
15.0	24.5	31.5	36
16.0	32.0	31.5	45
18.0	27.5	31.5	44
18.0	33.0	31.5	48
19.0	30.0	31.5	48
21.0	31.0	31.5	51
22.0	36.5	31.5	58
12.0	22.0	42.0	40
14.0	25.0	42.0	43
16.0	28.5	42.0	50
18.0	32.5	42.0	59
20.0	39.5	42.0	72
24.0	19.0	42.0	50
24.0	15.0	42.0	44
28.0	37.0	42.0	83
28.0	42.5	42.0	90
30.0	45.0	42.0	100
33.0	48.0	42.0	110
30.0	45.0	57.5	125
35.0	50.0	57.5	145
38.0	57.5	57.5	165

The equivalent heat coefficient "**G (mW/°C)**" is given for measuring the temperature on the lateral surface of the plastic box as figure1 shows. By using a thermocouple and avoiding effect of radiation and convection the temperature measured during operation conditions should be a result of the dissipated power divided by the equivalent heat coefficient.



Self Heating by power dissipation & equivalent heat coefficient

The I_{RMS} and consequently the power dissipation must be limited during operation in order to not exceed the maximum limit of ΔT allowed for this series. ΔT_{max} given for this series is equal or lower than 20 °C at rated temperature (70 °C), for higher ambient temperatures $\Delta T_{max}(T)$ will have the same derating factor than I_{RMS} versus temperature and then an equivalent derating as per:

$$\Delta T_{max}(T) = (\text{Factor})^2 \times \Delta T(70\text{ °C}).$$

For any particular I_{RMS} the ΔT may be calculated by:

$$\Delta T(\text{°C}) = P_{dis}(\text{mW}) / G(\text{mW/°C}).$$

Where $\Delta T(\text{°C})$ is the difference between the temperature measured on the box (see figure 1) and the ambient temperature when capacitor is working during normal operation;

$$\Delta T(\text{°C}) = T_{op}(\text{°C}) - T_A(\text{°C}).$$

It represents the increasing of temperature provoked by the I_{RMS} during operation. $G(\text{mW/°C})$ is the equivalent heat coefficient described above and $P_{dis}(\text{mW})$ is the dissipated power defined by:

$$P_{dis}(\text{mW}) = ESR_{typ}(\text{m}\Omega) \times I_{rms}^2(A_{RMS}).$$

Example for thermal calculation:

We will take as reference B32778H0306K (30 μ F/920 V DC) type for thermal calculation.

Considering the following load and capacitor characteristics:

I_{RMS} : 12 A_{RMS} at 20 kHz

T_A : 85 °C

30 × 45 × 57.5 box

$G(\text{mW/°C})$: 125

Then we have to find the ESR_{typ} at 20 kHz what is approx . 8.2 m Ω .

So according to:

$$P_{dis}(\text{mW}) = ESR_{typ}(\text{m}\Omega) \times I_{rms}^2(A_{RMS})$$

we have the following:

$$P_{dis}(\text{mW}) = 8.2\text{ m}\Omega \times 12\text{ }A_{RMS}^2 = 1181\text{ mW}$$

and as per:

$$\Delta T(\text{°C}) = P_{dis}(\text{mW}) / G(\text{mW/°C})$$

we have the following:

$$\Delta T(\text{°C}) = 1181(\text{mW}) / 125(\text{mW/°C}) = 9.5\text{ °C}.$$

What is below of the

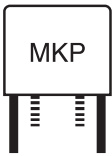
$$\Delta T_{max}(85\text{ °C}) = (\text{Factor})^2 \times \Delta T(70\text{ °C}) = (0.7)^2 \times 20\text{ °C} = 9.8\text{ °C}.$$

On the other hand we may confirm as page 32 that max I_{RMS} at 20 kHz at 70 °C = 17.5 A_{RMS} .

And then max I_{RMS} for 85 °C of ambient temperature is defined as follows:

$$I_{RMS}(85\text{ °C}) = \text{Factor} \times I_{RMS}(70\text{ °C}) = 0.7 \times 17.5\text{ }A_{RMS} = 12.3\text{ }A_{RMS}.$$

What confirms once again that I_{RMS} (12 A_{RMS} at 20 kHz) is below the max specified for such frequency and ambient temperature.

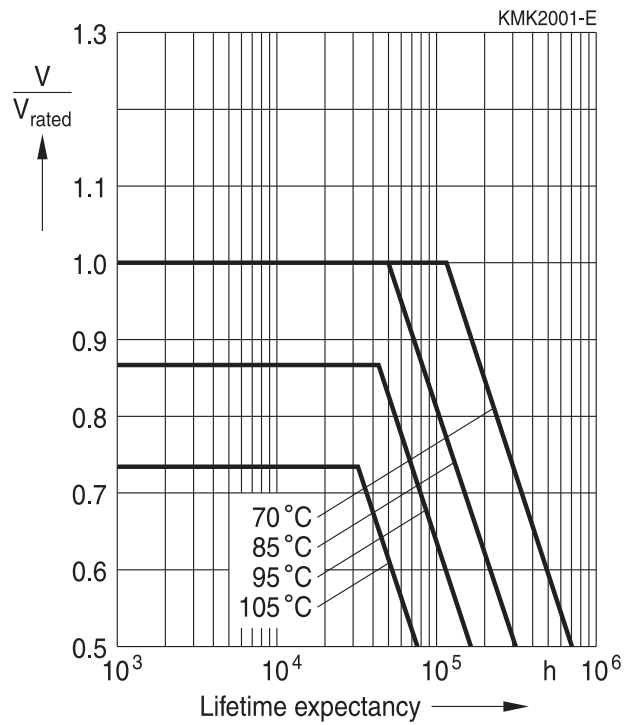


B32774H ... B32778H

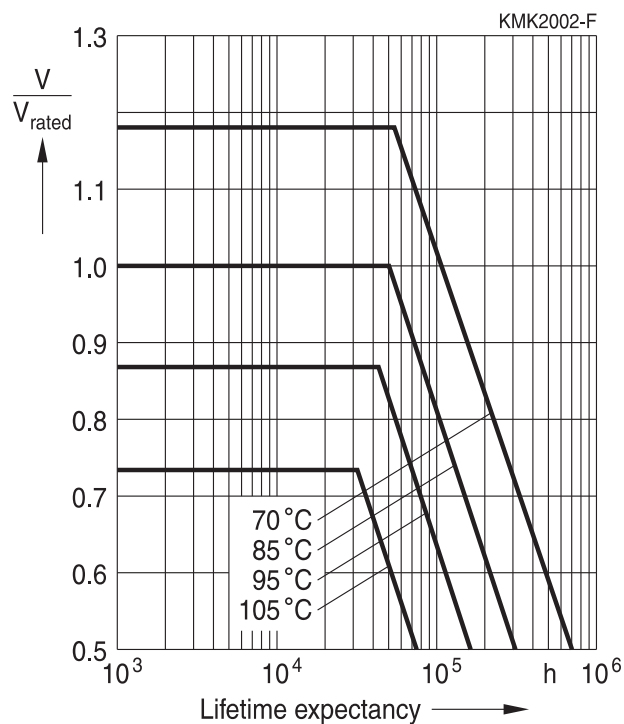
MKP DC link – high density THB series

Life time expectancy - typical curves

B3277*H4 (450 V DC)



B3277*H5/8/9/0/1 (500 V DC / 700 V DC / 800 V DC / 920 V DC / 1100 V DC)



Note: Confidence level of 95%



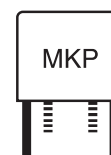
Testing and Standards

Test	Reference	Conditions of test	Performance requirements
Electrical parameters (Routine test)	IEC61071:2007	Voltage between terminals, 1.5 V _R , during 10 s Insulation resistance, R _{ins} at V _R if V _R < 500 V or 500 V if V _R ≥ 500 V Capacitance, C at 1 kHz (room temperature) Dissipation factor, tan δ at 1/10 kHz (room temperature)	Within specified limits
Robustness of terminations (Type test)	IEC 60068-2-21:2006	Tensile strength (test Ua1) Wire diameter Tensile force 0.5 < d ₁ ≤ 0.8 mm 10 N 0.8 < d ₁ ≤ 1.25 mm 20 N	Capacitance and tan δ within specified limits
Change of temperature (Type test)	IEC 61071:2007	T _A = lower category temperature; T _B = upper category temperature; 5 cycles, duration t = 30 min.	Electrical: ΔC/C ₀ ≤ 2% at 1 kHz Δ tan δ ≤ 0.002 R _{ins} ≥ 50% of initial limit Mechanical: No visible damage
Resistance to soldering heat (Type test)	IEC 60068-2-20:2008, test Tb, method 1A	Solder bath temperature at 260 ± 5 °C, immersion for 10 seconds	ΔC/C ₀ ≤ 2% at 1 kHz Δ tan δ ≤ 0.002 R _{ins} ≥ 50% of initial limit Mechanical: No visible damage
Vibration and shocks (Type test)	IEC 61071:2007	In accordance with IEC 60068-2-6 f = 10 Hz to 55 Hz a = ±0.35 mm Test duration per axis = 10 frequency cycles (3 axes offset from each other by 90°), 1 octave/min. Mounting conditions: The capacitor shall be fixed by the leads and the body must be properly clamped.	Electrical: ΔC/C ₀ ≤ 0.5% at 1 kHz Mechanical: No visible damage


B32774H ... B32778H
MKP DC link – high density THB series

Test	Reference	Conditions of test	Performance requirements
Climatic sequence (Type test)	IEC 60384-16:2005	Dry heat Tb / 16 h Damp heat cyclic, 1 st cycle +55 °C / 24 h / 95% ... 100% RH Cold Ta / 2 h Damp heat cyclic, 5 cycles +55 °C / 24 h / 95% ... 100% RH	No visible damage $ \Delta C/C_0 \leq 3\%$ $ \Delta \tan \delta \leq 0.001$ $R_{ins} \geq 50\%$ of initial limit
Endurance (Type test)	IEC 61071:2007	+85 °C / 1.4 V _R / 250 hours and 1000 discharges at 1.4 I _R and +85 °C / 1.4 V _R / 250 hours or +85 °C / 1.3 V _R / 500 hours and 1000 discharges at 1.4 I _R and +85 °C / 1.3 V _R / 500 hours	Electrical: $ \Delta C/C_0 \pm 3\%$ $ \Delta \tan \delta \leq 0.015$ $R_{ins} \geq 50\%$ of initial limit Mechanical: No visible damage
Biased humidity test (Type test)	AEC-Q200D	V _R / 40 °C / 93% RH / 1000 hours	Electrical: $ \Delta C/C_0 \leq 5\%$ $ \Delta \tan \delta / \Delta \tan \delta \leq 200\%$ (10 kHz) $R_{ins} \geq 50\%$ of initial limit Mechanical: No visible damage
		V _R / 60 °C / 95% RH / 1000 hours ¹⁾	Electrical: $ \Delta C/C_0 \leq 5\%$ $ \Delta \tan \delta / \Delta \tan \delta \leq 200\%$ (10 kHz) $R_{ins} \geq 100 M\Omega$ Mechanical: No visible damage

1) 1000 hours / 85 °C / 85 °C relative humidity with V_R available on request, based on special design.



Mounting guidelines

1 Soldering

1.1 Solderability of leads

The solderability of terminal leads is tested to IEC 60068-2-20:2008, test Ta, method 1.

Before a solderability test is carried out, terminals are subjected to accelerated ageing (to IEC 60068-2-2:2007, test Ba: 4 h exposure to dry heat at 155 °C). Since the ageing temperature is far higher than the upper category temperature of the capacitors, the terminal wires should be cut off from the capacitor before the ageing procedure to prevent the solderability being impaired by the products of any capacitor decomposition that might occur.

Solder bath temperature	235 ±5 °C
Soldering time	2.0 ±0.5 s
Immersion depth	2.0 +0/–0.5 mm from capacitor body or seating plane
Evaluation criteria: Visual inspection	Wetting of wire surface by new solder ≥90%, free-flowing solder

1.2 Resistance to soldering heat

Resistance to soldering heat is tested to IEC 60068-2-20:2008, test Tb, method 1.

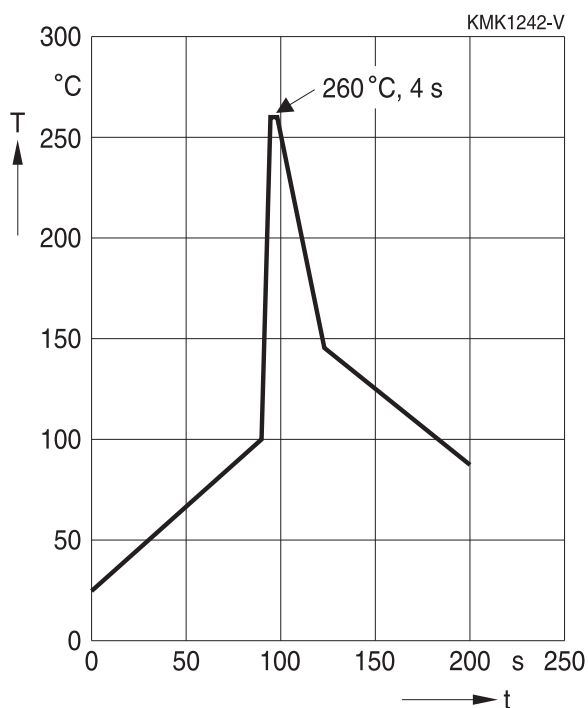
Conditions:

Series	Solder bath temperature	Soldering time
MKT boxed (except 2.5 × 6.5 × 7.2 mm) coated uncoated (lead spacing >10 mm)	260 ±5 °C	10 ±1 s
MFP MKP (lead spacing >7.5 mm)		
MKT boxed (case 2.5 × 6.5 × 7.2 mm)		5 ±1 s
MKP (lead spacing ≤7.5 mm)		<4 s
MKT uncoated (lead spacing ≤10 mm) insulated (B32559)		recommended soldering profile for MKT uncoated (lead spacing ≤ 10 mm) and insulated (B32559)



B32774H ... B32778H

MKP DC link – high density THB series

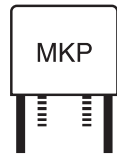


Immersion depth	2.0 +0/−0.5 mm from capacitor body or seating plane
Shield	Heat-absorbing board, (1.5 ±0.5) mm thick, between capacitor body and liquid solder
Evaluation criteria:	
Visual inspection	No visible damage
$\Delta C/C_0$	2% for MKT/MKP/MFP 5% for EMI suppression capacitors
$\tan \delta$	As specified in sectional specification

1.3 General notes on soldering

Permissible heat exposure loads on film capacitors are primarily characterized by the upper category temperature T_{max} . Long exposure to temperatures above this type-related temperature limit can lead to changes in the plastic dielectric and thus change irreversibly a capacitor's electrical characteristics. For short exposures (as in practical soldering processes) the heat load (and thus the possible effects on a capacitor) will also depend on other factors like:

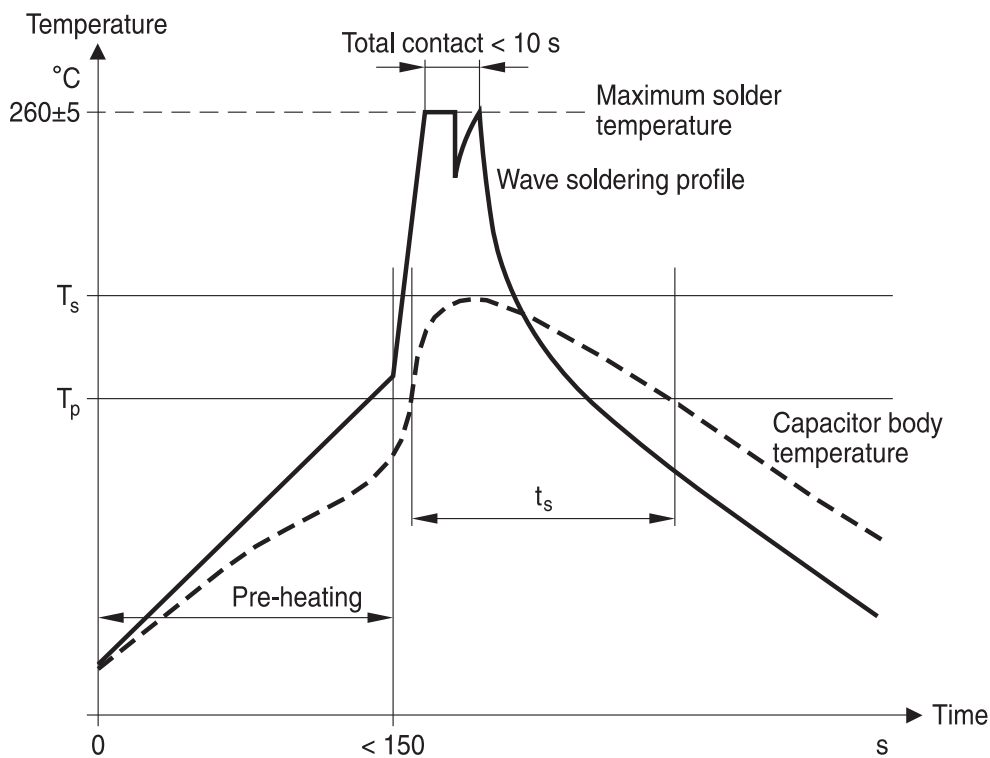
- Pre-heating temperature and time
- Forced cooling immediately after soldering
- Terminal characteristics:
diameter, length, thermal resistance, special configurations (e.g. crimping)
- Height of capacitor above solder bath
- Shadowing by neighboring components
- Additional heating due to heat dissipation by neighboring components
- Use of solder-resist coatings



The overheating associated with some of these factors can usually be reduced by suitable countermeasures. For example, if a pre-heating step cannot be avoided, an additional or reinforced cooling process may possibly have to be included.

EPCOS recommendations

As a reference, the recommended wave soldering profile for our film capacitors is as follows:



T_s : Capacitor body maximum temperature at wave soldering
 T_p : Capacitor body maximum temperature at pre-heating

KMK1745-A-E



KMK1744-9-E



B32774H ... B32778H

MKP DC link – high density THB series

Body temperature should follow the description below:

- MKP capacitor
 - During pre-heating: $T_p \leq 110 \text{ }^\circ\text{C}$
 - During soldering: $T_s \leq 120 \text{ }^\circ\text{C}$, $t_s \leq 45 \text{ s}$
- MKT capacitor
 - During pre-heating: $T_p \leq 125 \text{ }^\circ\text{C}$
 - During soldering: $T_s \leq 160 \text{ }^\circ\text{C}$, $t_s \leq 45 \text{ s}$

When SMD components are used together with leaded ones, the film capacitors should not pass into the SMD adhesive curing oven. The leaded components should be assembled after the SMD curing step.

Leaded film capacitors are not suitable for reflow soldering.

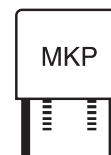
In order to ensure proper conditions for manual or selective soldering, the body temperature of the capacitor (T_s) must be $\leq 120 \text{ }^\circ\text{C}$.

One recommended condition for manual soldering is that the tip of the soldering iron should be $< 360 \text{ }^\circ\text{C}$ and the soldering contact time should be no longer than 3 seconds.

For uncoated MKT capacitors with lead spacings $\leq 10 \text{ mm}$ (B32560/B32561) the following measures are recommended:

- pre-heating to not more than $110 \text{ }^\circ\text{C}$ in the preheater phase
- rapid cooling after soldering

Please refer to EPCOS Film Capacitor Data Book in case more details are needed.



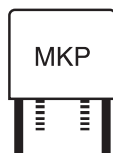
Cautions and warnings

- Do not exceed the upper category temperature (UCT).
- Do not apply any mechanical stress to the capacitor terminals.
- Avoid any compressive, tensile or flexural stress.
- Do not move the capacitor after it has been soldered to the PC board.
- Do not pick up the PC board by the soldered capacitor.
- Do not place the capacitor on a PC board whose PTH hole spacing differs from the specified lead spacing.
- Do not exceed the specified time or temperature limits during soldering.
- Avoid external energy inputs, such as fire or electricity.
- Avoid overload of the capacitors.
- Consult us if application is with severe temperature and humidity condition.
- There are no serviceable or repairable parts inside the capacitor. Opening the capacitor or any attempts to open or repair the capacitor will void the warranty and liability of EPCOS.
- Please note that the standards referred to in this publication may have been revised in the meantime.

The table below summarizes the safety instructions that must always be observed. A detailed description can be found in the relevant sections of the chapters "General technical information" and "Mounting guidelines".

Topic	Safety information	Reference chapter "General technical information"
Storage conditions	Make sure that capacitors are stored within the specified range of time, temperature and humidity conditions.	4.5 "Storage conditions"
Flammability	Avoid external energy, such as fire or electricity (passive flammability), avoid overload of the capacitors (active flammability) and consider the flammability of materials.	5.3 "Flammability"
Resistance to vibration	Do not exceed the tested ability to withstand vibration. The capacitors are tested to IEC 60068-2-6:2007. EPCOS offers film capacitors specially designed for operation under more severe vibration regimes such as those found in automotive applications. Consult our catalog "Film Capacitors for Automotive Electronics".	5.2 "Resistance to vibration"

Topic	Safety information	Reference chapter "Mounting guidelines"
Soldering	Do not exceed the specified time or temperature limits during soldering.	1 "Soldering"
Cleaning	Use only suitable solvents for cleaning capacitors.	2 "Cleaning"



B32774H ... B32778H

MKP DC link – high density THB series

Topic	Safety information	Reference chapter "Mounting guidelines"
Embedding of capacitors in finished assemblies	When embedding finished circuit assemblies in plastic resins, chemical and thermal influences must be taken into account. Caution: Consult us first, if you also wish to embed other uncoated component types!	3 "Embedding of capacitors in finished assemblies"

Display of ordering codes for EPCOS products

The ordering code for one and the same product can be represented differently in data sheets, data books, other publications and the website of EPCOS, or in order-related documents such as shipping notes, order confirmations and product labels. **The varying representations of the ordering codes are due to different processes employed and do not affect the specifications of the respective products.** Detailed information can be found on the Internet under www.epcos.com/orderingcodes.



Symbols and terms

Symbol	English	German
α	Heat transfer coefficient	Wärmeübergangszahl
α_C	Temperature coefficient of capacitance	Temperaturkoeffizient der Kapazität
A	Capacitor surface area	Kondensatoroberfläche
β_C	Humidity coefficient of capacitance	Feuchtekoeffizient der Kapazität
C	Capacitance	Kapazität
C_R	Rated capacitance	Nennkapazität
ΔC	Absolute capacitance change	Absolute Kapazitätsänderung
$\Delta C/C$	Relative capacitance change (relative deviation of actual value)	Relative Kapazitätsänderung (relative Abweichung vom Ist-Wert)
$\Delta C/C_R$	Capacitance tolerance (relative deviation from rated capacitance)	Kapazitätstoleranz (relative Abweichung vom Nennwert)
dt	Time differential	Differentielle Zeit
Δt	Time interval	Zeitintervall
ΔT	Absolute temperature change (self-heating)	Absolute Temperaturänderung (Selbsterwärmung)
$\Delta \tan \delta$	Absolute change of dissipation factor	Absolute Änderung des Verlustfaktors
ΔV	Absolute voltage change	Absolute Spannungsänderung
dV/dt	Time differential of voltage function (rate of voltage rise)	Differentielle Spannungsänderung (Spannungsflankensteilheit)
$\Delta V/\Delta t$	Voltage change per time interval	Spannungsänderung pro Zeitintervall
E	Activation energy for diffusion	Aktivierungsenergie zur Diffusion
ESL	Self-inductance	Eigeninduktivität
ESR	Equivalent series resistance	Ersatz-Serienwiderstand
f	Frequency	Frequenz
f_1	Frequency limit for reducing permissible AC voltage due to thermal limits	Grenzfrequenz für thermisch bedingte Reduzierung der zulässigen Wechselspannung
f_2	Frequency limit for reducing permissible AC voltage due to current limit	Grenzfrequenz für strombedingte Reduzierung der zulässigen Wechselspannung
f_r	Resonant frequency	Resonanzfrequenz
F_D	Thermal acceleration factor for diffusion	Therm. Beschleunigungsfaktor zur Diffusion
F_T	Derating factor	Deratingfaktor
i	Current (peak)	Stromspitze
I_C	Category current (max. continuous current)	Kategoriestrom (max. Dauerstrom)



B32774H ... B32778H

MKP DC link – high density THB series

Symbol	English	German
I_{RMS}	(Sinusoidal) alternating current, root-mean-square value	(Sinusförmiger) Wechselstrom
i_z	Capacitance drift	Inkonstanz der Kapazität
k_0	Pulse characteristic	Impulskennwert
L_S	Series inductance	Serieninduktivität
λ	Failure rate	Ausfallrate
λ_0	Constant failure rate during useful service life	Konstante Ausfallrate in der Nutzungsphase
λ_{test}	Failure rate, determined by tests	Experimentell ermittelte Ausfallrate
P_{diss}	Dissipated power	Abgegebene Verlustleistung
P_{gen}	Generated power	Erzeugte Verlustleistung
Q	Heat energy	Wärmeenergie
ρ	Density of water vapor in air	Dichte von Wasserdampf in Luft
R	Universal molar constant for gases	Allg. Molarkonstante für Gas
R	Ohmic resistance of discharge circuit	Ohmscher Widerstand des Entladekreises
R_i	Internal resistance	Innenwiderstand
R_{ins}	Insulation resistance	Isolationswiderstand
R_P	Parallel resistance	Parallelwiderstand
R_S	Series resistance	Serienwiderstand
S	severity (humidity test)	Schärfegrad (Feuchtetest)
t	Time	Zeit
T	Temperature	Temperatur
τ	Time constant	Zeitkonstante
$\tan \delta$	Dissipation factor	Verlustfaktor
$\tan \delta_D$	Dielectric component of dissipation factor	Dielektrischer Anteil des Verlustfaktors
$\tan \delta_P$	Parallel component of dissipation factor	Parallelanteil des Verlustfaktors
$\tan \delta_S$	Series component of dissipation factor	Serienanteil des Verlustfaktors
T_A	Temperature of the air surrounding the component	Temperatur der Luft, die das Bauteil umgibt
T_{max}	Upper category temperature	Obere Kategorietemperatur
T_{min}	Lower category temperature	Untere Kategorietemperatur
t_{OL}	Operating life at operating temperature and voltage	Betriebszeit bei Betriebstemperatur und -spannung
T_{op}	Operating temperature, $T_A + \Delta T$	Betriebstemperatur, $T_A + \Delta T$
T_R	Rated temperature	Nenntemperatur
T_{ref}	Reference temperature	Referenztemperatur
t_{SL}	Reference service life	Referenz-Lebensdauer



Symbol	English	German
V_{AC}	AC voltage	Wechselspannung
V_C	Category voltage	Kategorie spannung
$V_{C,RMS}$	Category AC voltage	(Sinusförmige) Kategorie-Wechselspannung
V_{CD}	Corona-discharge onset voltage	Teilentlade-Einsatzspannung
V_{ch}	Charging voltage	Ladespannung
V_{DC}	DC voltage	Gleichspannung
V_{FB}	Fly-back capacitor voltage	Spannung (Flyback)
V_i	Input voltage	Eingangsspannung
V_o	Output voltage	Ausgangsspannung
V_{op}	Operating voltage	Betriebsspannung
V_p	Peak pulse voltage	Impuls-Spitzen spannung
V_{pp}	Peak-to-peak voltage Impedance	Spannungshub
V_R	Rated voltage	Nennspannung
\hat{V}_R	Amplitude of rated AC voltage	Amplitude der Nenn-Wechselspannung
V_{RMS}	(Sinusoidal) alternating voltage, root-mean-square value	(Sinusförmige) Wechselspannung
V_{SC}	S-correction voltage	Spannung bei Anwendung "S-correction"
V_{sn}	Snubber capacitor voltage	Spannung bei Anwendung "Beschaltung"
Z	Impedance	Scheinwiderstand
e	Lead spacing	Rastermaß

Important notes

The following applies to all products named in this publication:

1. Some parts of this publication contain **statements about the suitability of our products for certain areas of application**. These statements are based on our knowledge of typical requirements that are often placed on our products in the areas of application concerned. We nevertheless expressly point out **that such statements cannot be regarded as binding statements about the suitability of our products for a particular customer application**. As a rule, EPCOS is either unfamiliar with individual customer applications or less familiar with them than the customers themselves. For these reasons, it is always ultimately incumbent on the customer to check and decide whether an EPCOS product with the properties described in the product specification is suitable for use in a particular customer application.
2. We also point out that **in individual cases, a malfunction of electronic components or failure before the end of their usual service life cannot be completely ruled out in the current state of the art, even if they are operated as specified**. In customer applications requiring a very high level of operational safety and especially in customer applications in which the malfunction or failure of an electronic component could endanger human life or health (e.g. in accident prevention or lifesaving systems), it must therefore be ensured by means of suitable design of the customer application or other action taken by the customer (e.g. installation of protective circuitry or redundancy) that no injury or damage is sustained by third parties in the event of malfunction or failure of an electronic component.
3. **The warnings, cautions and product-specific notes must be observed.**
4. In order to satisfy certain technical requirements, **some of the products described in this publication may contain substances subject to restrictions in certain jurisdictions (e.g. because they are classed as hazardous)**. Useful information on this will be found in our Material Data Sheets on the Internet (www.epcos.com/material). Should you have any more detailed questions, please contact our sales offices.
5. We constantly strive to improve our products. Consequently, **the products described in this publication may change from time to time**. The same is true of the corresponding product specifications. Please check therefore to what extent product descriptions and specifications contained in this publication are still applicable before or when you place an order. We also **reserve the right to discontinue production and delivery of products**. Consequently, we cannot guarantee that all products named in this publication will always be available. The aforementioned does not apply in the case of individual agreements deviating from the foregoing for customer-specific products.
6. Unless otherwise agreed in individual contracts, **all orders are subject to the current version of the "General Terms of Delivery for Products and Services in the Electrical Industry" published by the German Electrical and Electronics Industry Association (ZVEI)**.

Important notes

7. **Our manufacturing sites serving the automotive business apply the IATF 16949 standard.** The IATF certifications confirm our compliance with requirements regarding the quality management system in the automotive industry. Referring to customer requirements and customer specific requirements (“CSR”) TDK always has and will continue to have the policy of respecting individual agreements. Even if IATF 16949 may appear to support the acceptance of unilateral requirements, we hereby like to emphasize that **only requirements mutually agreed upon can and will be implemented in our Quality Management System.** For clarification purposes we like to point out that obligations from IATF 16949 shall only become legally binding if individually agreed upon.
8. The trade names EPCOS, CeraCharge, CeraDiode, CeraLink, CeraPad, CeraPlas, CSMP, CTVS, DeltaCap, DigiSiMic, ExoCore, FilterCap, FormFit, LeaXield, MiniBlue, MiniCell, MKD, MKK, MotorCap, PCC, PhaseCap, PhaseCube, PhaseMod, PhiCap, PowerHap, PQSine, PQvar, SIFERRIT, SIFI, SIKOREL, SilverCap, SIMDAD, SiMic, SIMID, SineFormer, SIOV, ThermoFuse, WindCap are **trademarks registered or pending** in Europe and in other countries. Further information will be found on the Internet at www.epcos.com/trademarks.

Release 2018-06