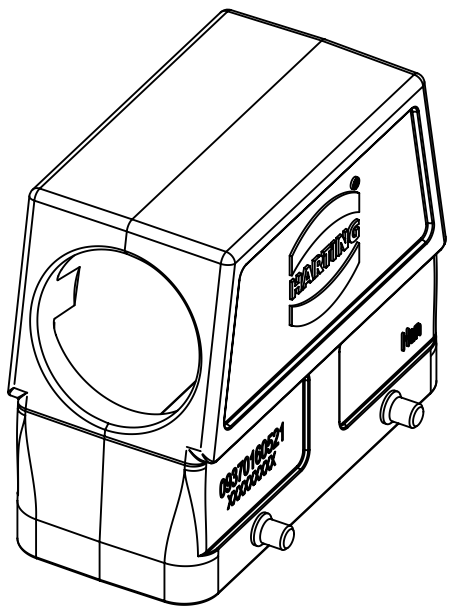
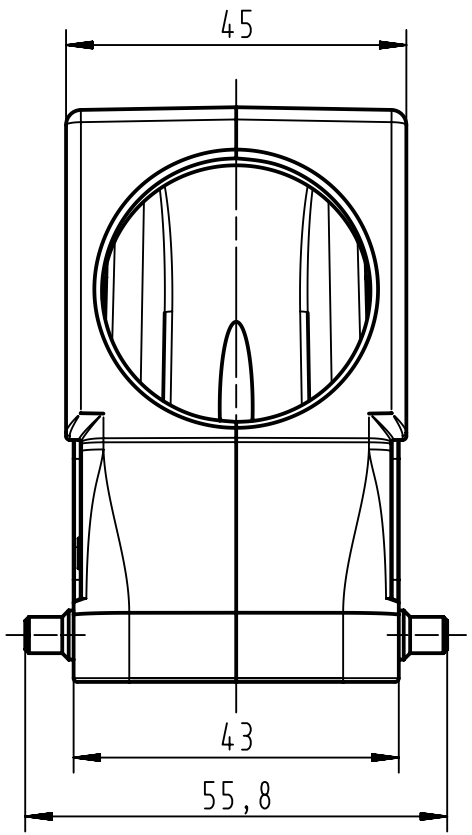
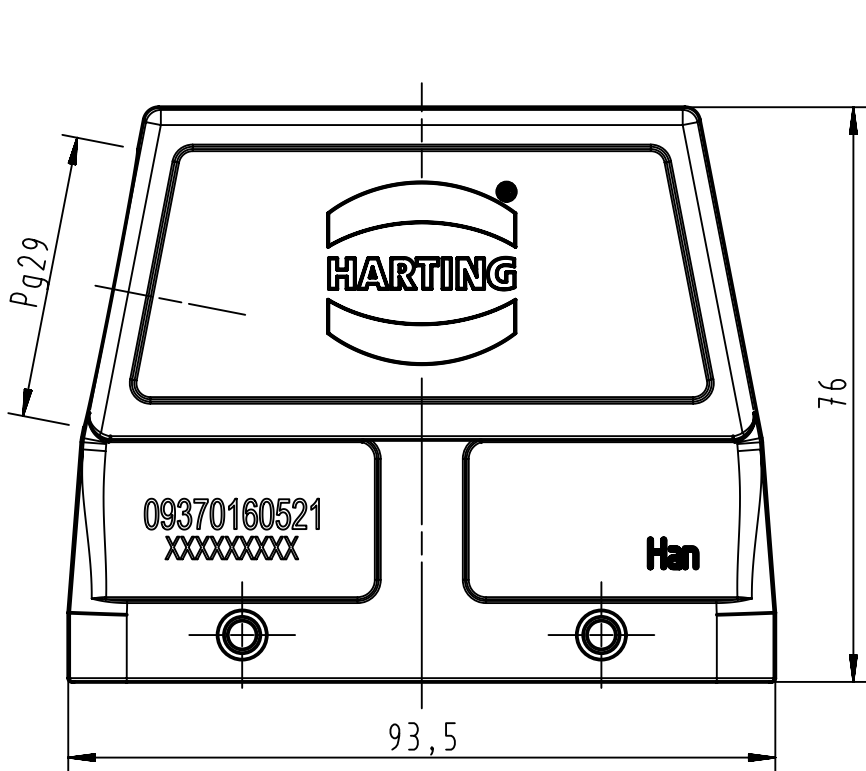


1 2 3 4 5 6

A
B
C
D



	All Dimensions in mm Original Size DIN A4		Scale 1:1		Free size tol.		Ref. Sub. TB 09 37 016 0521 v. 23.08.00		
		All rights reserved Department EL PD - DE		Created by HOLLERT	Inspected by BERGHORN	Standardisation TIEMANNA	Date 2013-05-27	State Final Release	
HARTING Electric GmbH & Co. KG D-32339 Espelkamp			Title Han M Hood Side Entry 4 Pegs PG 29				Doc-Key / ECM-Nr. 100221135/UGD/002/B 500000061018		
				Type TB	Number 09 37 016 0521			Rev. B	Page 1/1