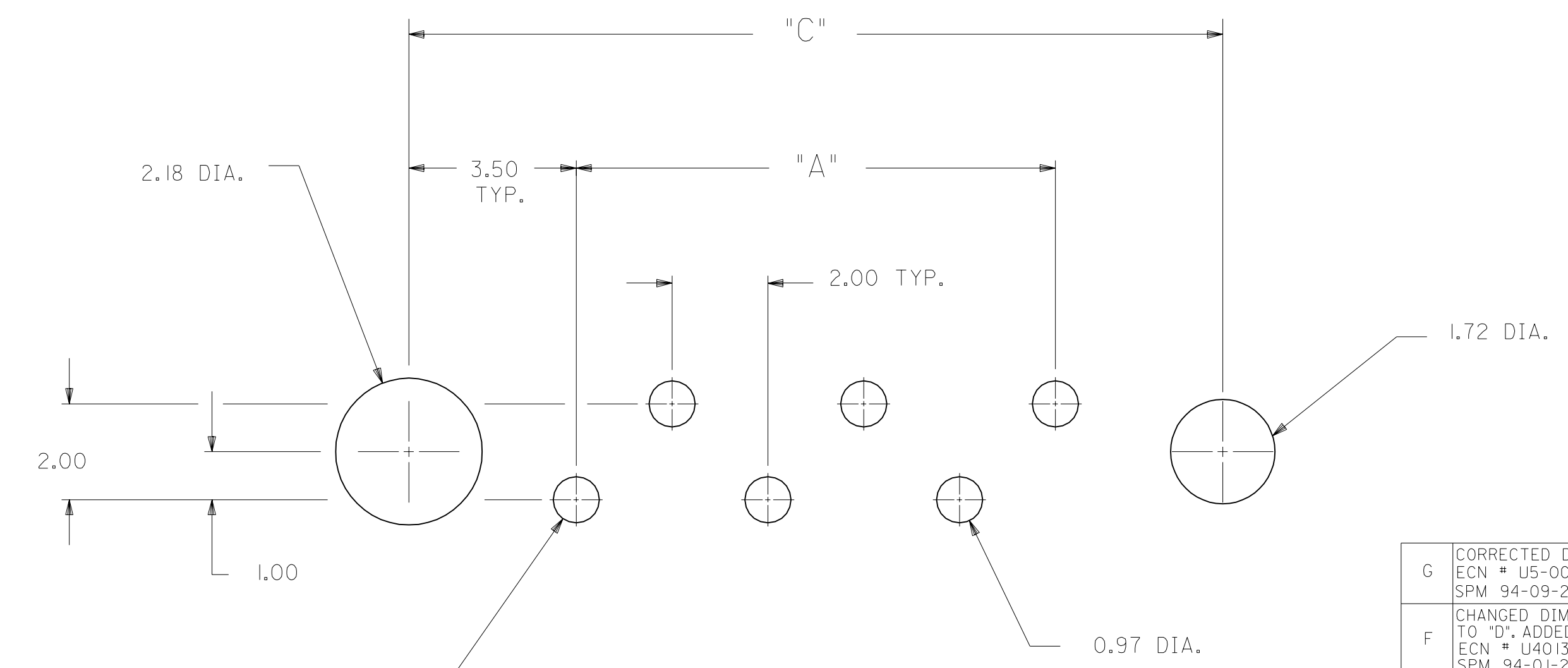
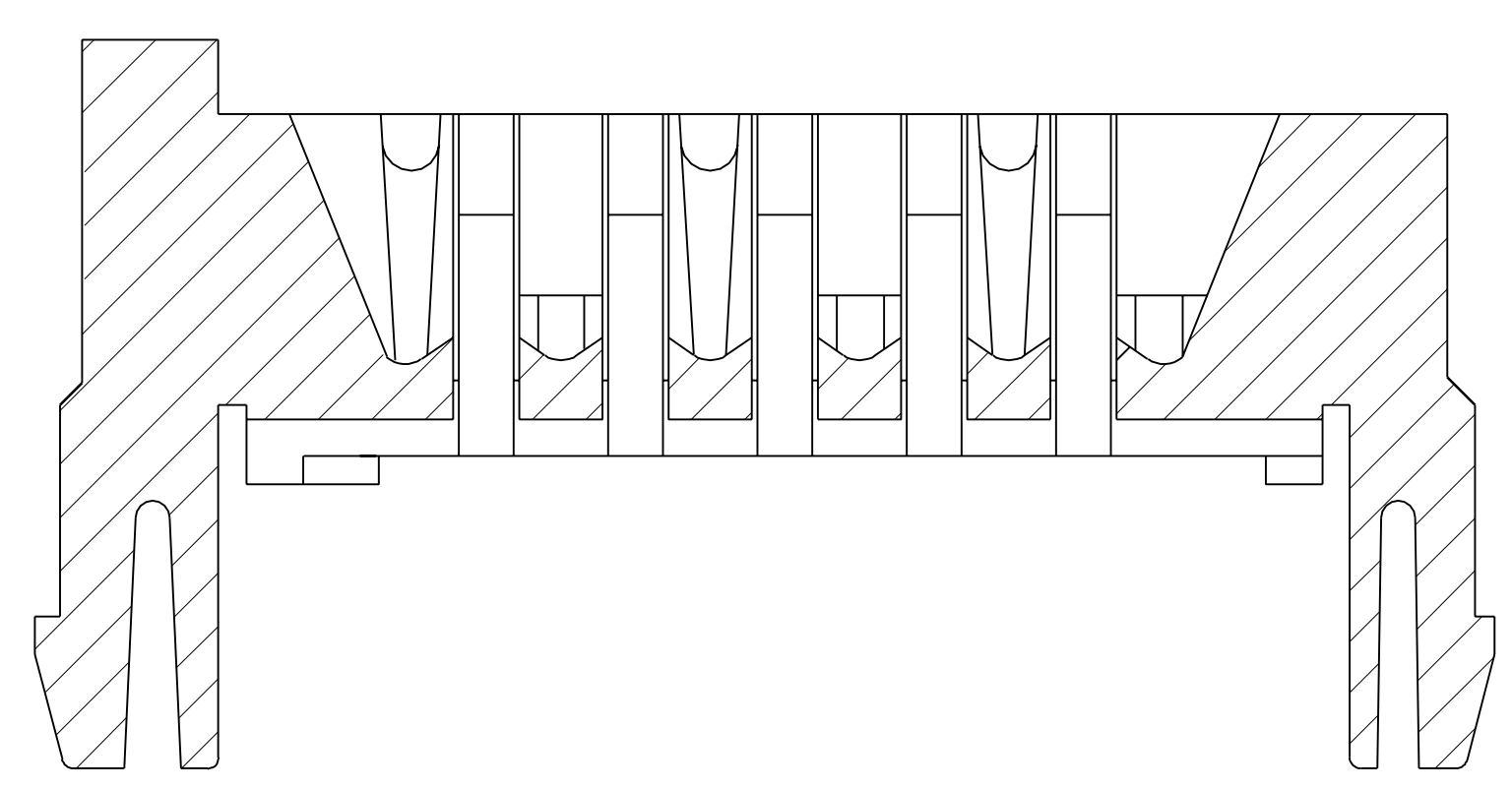
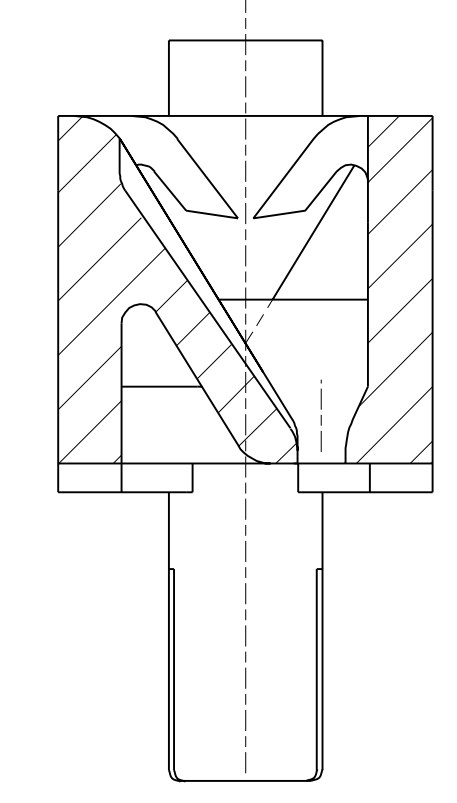
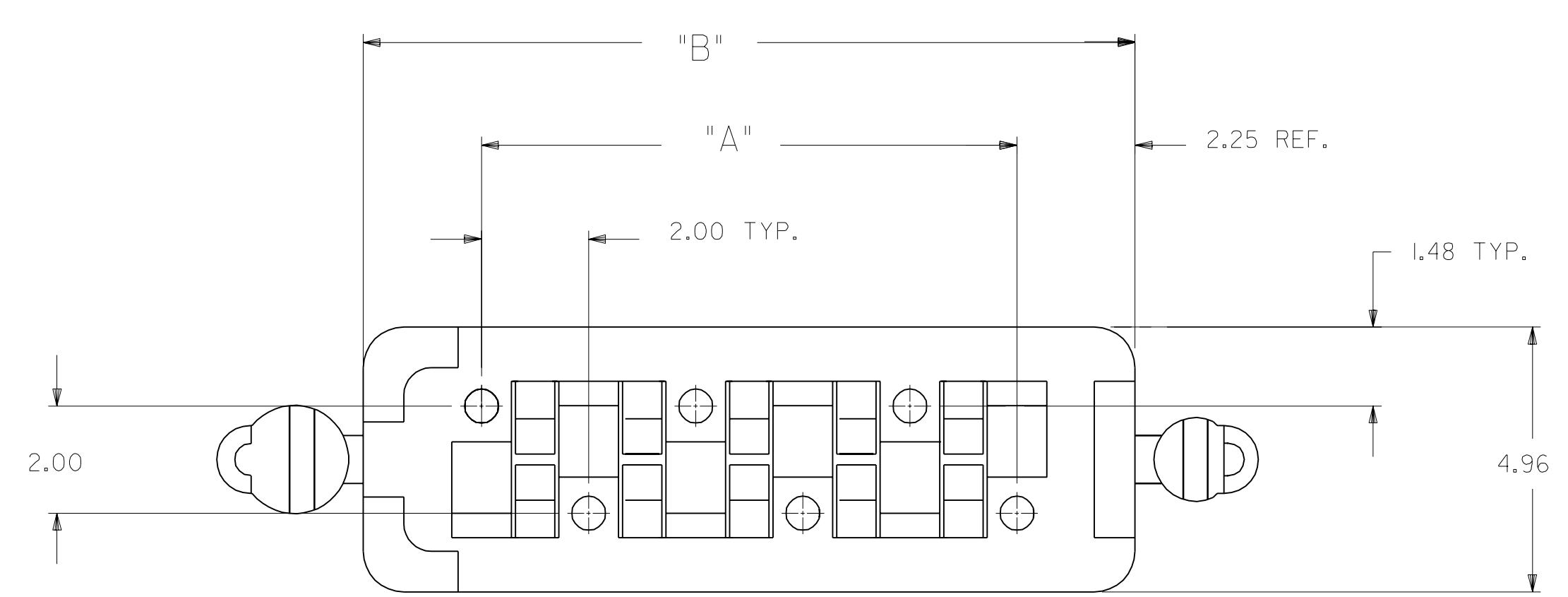
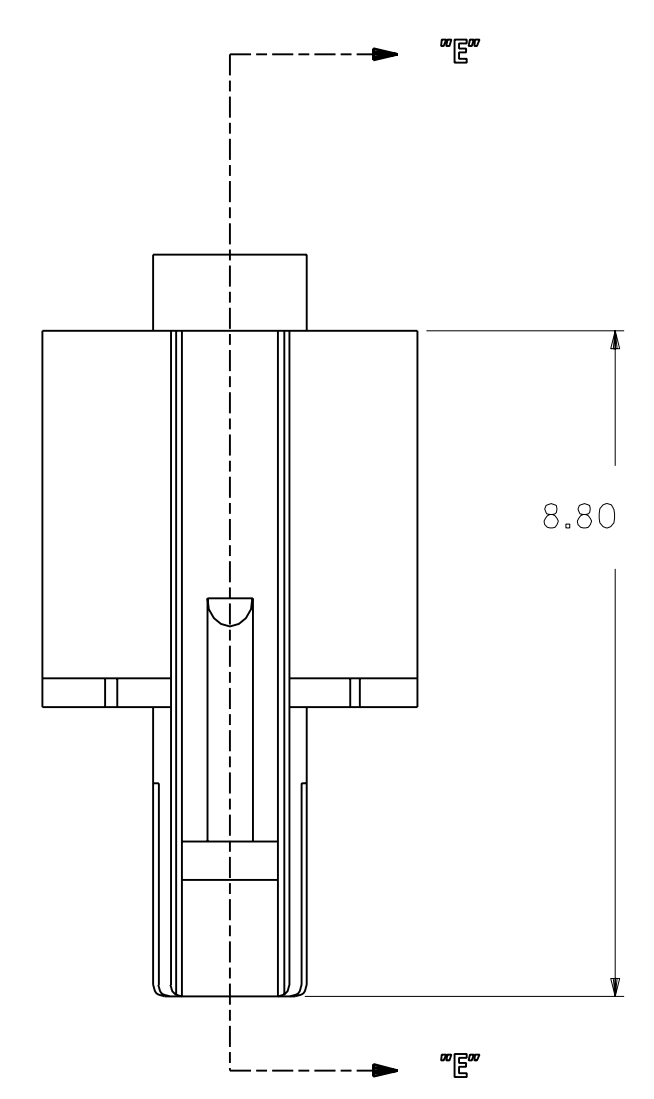
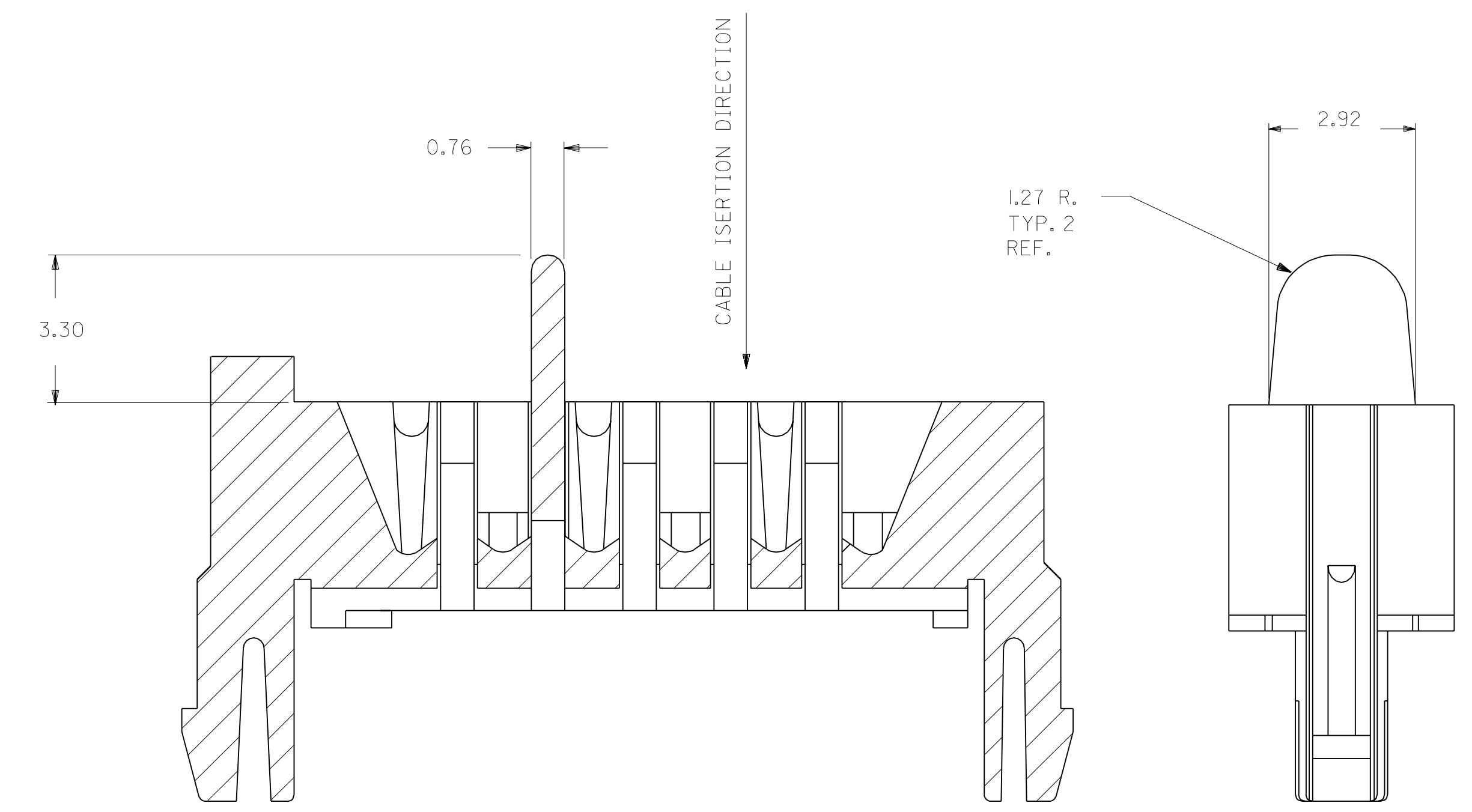


- NOTES:
1. FLASH ON HOLE PERIMETER TO BE .08 MAX.
  2. THE 'X' OR BLANK PRECEEDING THE ITEM NO. INDICATES IT'S NON-AVAILABILITY OR AVAILABILITY, RESPECTIVELY.
  3. PRODUCT SPECIFICATION 30452-0000 APPLIES.



RECOMMENDED P.C. BOARD LAYOUT  
BOARD THICKNESS 1.57  
BOARD TOLERANCE ± .05



OPTIONAL POLARIZATION FEATURE-  
LOCATED BETWEEN CIRCUITS 2 & 3  
(SEE CHART SHT. 2)

MATERIAL: POLYESTER, VALOX 457 7.5% GLASS FILLED  
POLYESTER OR EQUIVALENT  
COLOR : WHITE

G	CORRECTED DIM. "D" ECN # U5-0007 SPM 94-09-23
F	CHANGED DIM. "C+2.14" TO "D". ADDED NOTE 3 ECN # U40133 SPM 94-01-28
E	ADDED CRITICAL DIM. CORRECTED PEG PICTORIALLY ECN # U31550 SPM 93-10-29
D	UPDATED PEG GEOMETRY ECO # U3-0827 SPM 93-05-28
C	CHANGED DIM. FROM: 2.30 TO: 3.30 ECO # U3-0647 SPM 93-04-27
B	DELETED "C" ON PLAN VIEW DELETED 1.25 REF DELETED REF'S ECO # U3-0397 SPM 93-03-16
A	ECO NO. U21431 ADDED DIM. C + 2.14 MAX.; ADDED NOTE 2 COL. TO CHART; ITEM NO. WAS ENG. NO.; REV. DELCO P/N'S 8.2 REF. WAS 8.2 2.3 REF. WAS 2.3 1.0 REF. WAS 1.0 4.98 REF. WAS 4.98 1.78 REF. WAS 1.78 1.27 REF. WAS 1.27 2.92 REF. WAS 2.92 ADDED NOTE 2; REL TO PROD. DF 9/22/92
10	ADDED 1.00 HIGH POST DF 6/29/92
9	UPDATED DWG LEG 05-27-92
8	CHANGED MATERIAL AJP/LEG 2/24/92
7	REVISED BOARD LOCKS LEG 02-05-92
6	MAT'L WAS NYLON ADD OPTIONAL POLARIZATION FEATURE ECR. #U12164 R.J.G. 9/1/11/7
5	REV. LEAD-IN ON END CKTS. ECR. #U1862 R.J.G. 9/1/10
4	ADD MATERIAL NOTE REV. P.C.B HOLE SIZE AND BOARD LOCK SIZE ECR. #U1150 R.J.G. 9/1/6/26
3	ADD 1.25 REF. AND 2.25 REF. R.J.G. 9/1/4/10
2	REV. PEGS ECR. #U10729 R.J.G. 9/1/4/2
1	WAS 4MM HIGH R.J.G. 9/1/3/13

DIMENSIONS SHOWN (METRIC) INCH		▽=2 ▼=0		REVISE ONLY ON CAD SYSTEM	
UNLESS OTHERWISE SPECIFIED TOLERANCES: ANGULAR ± 1/2°					
INCH		METRIC			
3 PLACE	± .005	---	---		
2 PLACE	± .01	± .13	---		
1 PLACE	---	± .25	---		
DRAWING INFORMATION					
DRWG. NO.	FILE NAME	DATE	SHEET NO.	DATE	DATE
SD-30453-***	S30453	9/1/92	1 OF 2	9/1/92	9/1/92
SEE CHART		DIV. A			

