

DWG. NO.
SD-35303-001

SIMILAR ITEM

PROJECT NO.

5

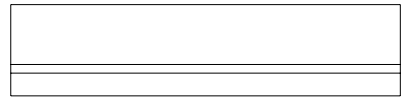
4

3

2

1

VINYL
(MOLEX LOGO SIDE)



← STOPPER

VIEW V

NOTES

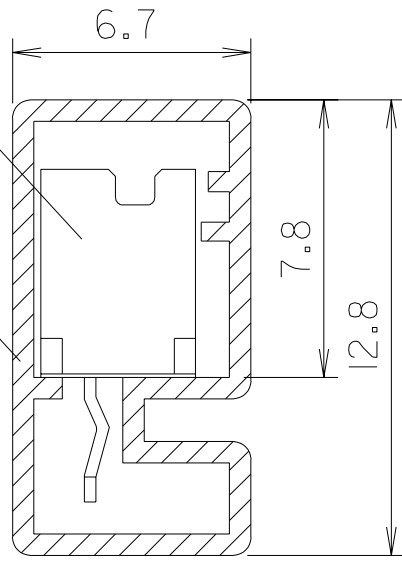
1. TUBE : STOPPER & VINYL LOCKING TYPE
2. THICKNESS : 0.6+
3. LENGTH : 550mm

LEGEND 35303-*** 5 *

- COLOR : 0 --- NATURAL
 1 --- BLACK
 2 --- RED
 3 --- YELLOW
 4 --- BLUE
- CKT (02, 03, 04, ...)

53014 SERIES

TUBE



← V

| | | | | | | | |
|------|-----------|------------|------|-----------|------------|-----------------|---------|
| 15 | 35303155* | 35303-155* | 8 | 35303085* | 35303-085* | 53014 SERIES | |
| 14 | 35303145* | -145* | 7 | 35303075* | -075* | | |
| 13 | 35303135* | -135* | 6 | 35303065* | -065* | | |
| 12 | 35303125* | -125* | 5 | 35303055* | -055* | | |
| 11 | 35303115* | -115* | 4 | 35303045* | -045* | | |
| 10 | 35303105* | -105* | 3 | 35303035* | -035* | | |
| 9 | 35303095* | 35303-095* | 2 | 35303025* | 35303-025* | | |
| CKTS | MAT'L NO. | ENG NO. | CKTS | MAT'L NO. | ENG NO. | | USED ON |

NEW RELEASED
 EC NO. KOR2004-0124
 DRWN: K.S.KIM (040324)
 CH'K: J.K.OH
 APPR: C.W.LEE

DESCRIPTION

REV

QUALITY SYMBOLS

MAJOR
▲ =

CRITICAL
△ C =

GENERAL TOLERANCES:
(UNLESS SPECIFIED)

| | mm | INCH |
|----------|-----|------|
| 4 PLACES | ±0. | ±. |
| 3 PLACES | ±0. | ±. |
| 2 PLACES | ±0. | ±. |
| 1 PLACE | ±0. | ±. |

ANGULAR: ± °

DRAFT WHERE APPLICABLE MUST REMAIN WITHIN DIMENSIONS

SCALE NONE

DESIGN UNITS
 mm INCH

THIRD ANGLE PROJECTION

DRAWN BY & DATE
 H.S.SHIN (910220)

CHECKED BY & DATE
 J.K.OH

APPROVED BY & DATE
 C.W.LEE

CAD FILENAME
 SD-35303-001

DIMENSIONS:
 mm INCH mm ONLY

SHT REV
 REVISE ON CAD ONLY

TITLE:
 TUBE PACKAGED FOR 53014 SERIES

MOLEX INCORPORATED KOREA

MATERIAL NO. SEE TABLE

DRAWING NO. SD-35303-001

SHEET NO. 1 OF 1

THIS DRAWING CONTAINS INFORMATION THAT IS PROPRIETARY TO MOLEX INCORPORATED AND SHOULD NOT BE USED WITHOUT WRITTEN PERMISSION.

SIZE A

5

4

3

2

MX-A4

DWG. NO.

SIMILAR ITEM

PROJECT NO.

C

B

DO NOT SCALE DRAWING
DIMENSION IN METRIC

8 7 6 5 4 3 2 1

F

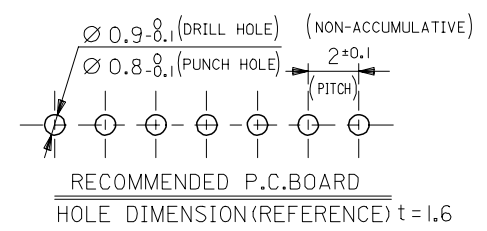
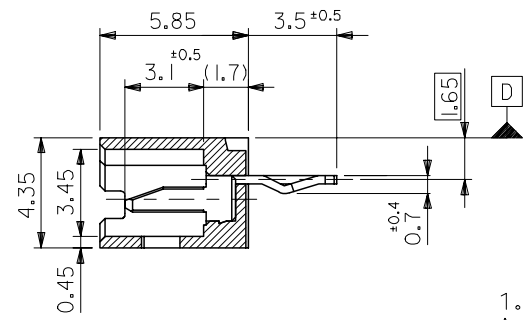
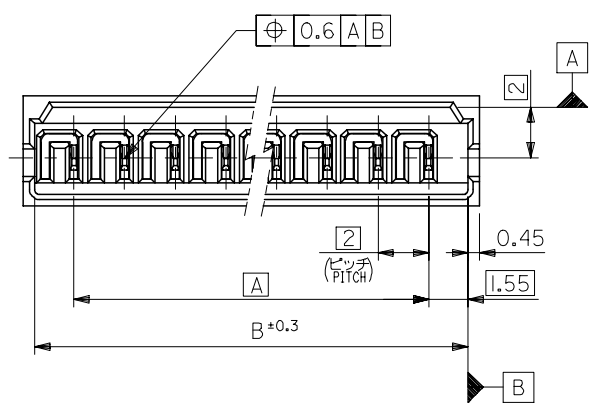
E

D

C

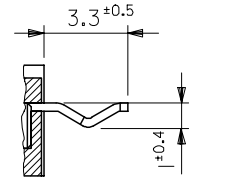
B

A

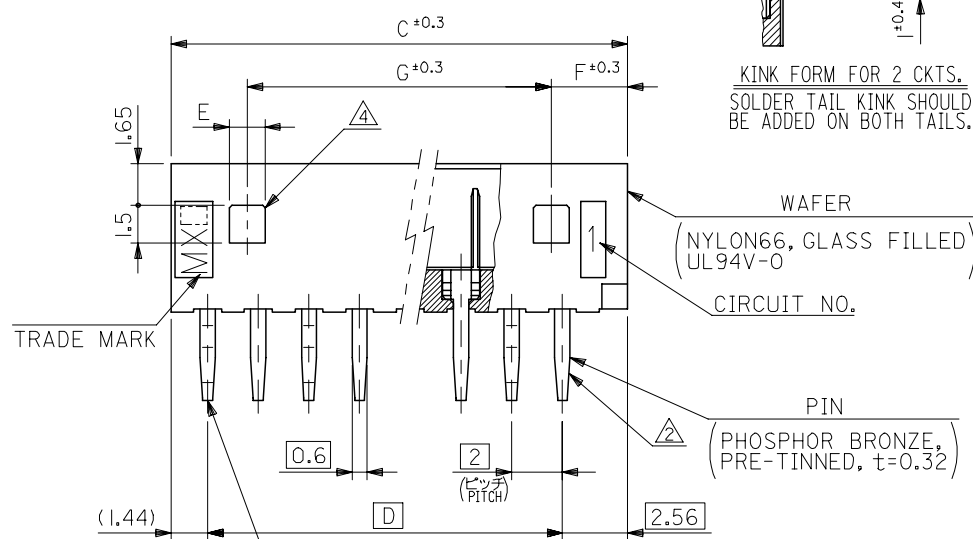


NOTES

- 1. MATES WITH : 51004-***00
- △ KINK TO BE ADDED ON THE ODD NUMBER SOLDER TAILS. (FROM THE TRADE MARK SIDE.)
- △ * MARK INDICATES DYED COLOR : "0" NATURAL, "1" BLACK, "2" RED, "3" YELLOW, "4" BLUE
- △ LOCKING HOLE : 1 PLACE FOR 2, 3 CKTS, 2 PLACES FOR 4 CKTS. AND MORE THAN 4 CKTS.



KINK FORM FOR 2 CKTS.
SOLDER TAIL KINK SHOULD BE ADDED ON BOTH TAILS.



| | | | | | | | | | |
|----|---|-----|----|----|------|----|------------|------------|--------------|
| 26 | 3 | 1.4 | 28 | 32 | 31.1 | 28 | 53014-151* | 35303-155* | 15 |
| 24 | 3 | 1.4 | 26 | 30 | 29.1 | 26 | -141* | 35303-145* | 14 |
| 22 | 3 | 1.4 | 24 | 28 | 27.1 | 24 | -131* | 35303-135* | 13 |
| 20 | 3 | 1.4 | 22 | 26 | 25.1 | 22 | -121* | 35303-125* | 12 |
| 18 | 3 | 1.4 | 20 | 24 | 23.1 | 20 | -111* | 35303-115* | 11 |
| 16 | 3 | 1.4 | 18 | 22 | 21.1 | 18 | -101* | 35303-105* | 10 |
| 14 | 3 | 1.4 | 16 | 20 | 19.1 | 16 | -091* | 35303-095* | 9 |
| 12 | 3 | 1.4 | 14 | 18 | 17.1 | 14 | -081* | 35303-085* | 8 |
| 10 | 3 | 1.4 | 12 | 16 | 15.1 | 12 | -071* | 35303-075* | 7 |
| 8 | 3 | 1.4 | 10 | 14 | 13.1 | 10 | -061* | 35303-065* | 6 |
| 6 | 3 | 1.4 | 8 | 12 | 11.1 | 8 | -051* | 35303-055* | 5 |
| 4 | 3 | 1.4 | 6 | 10 | 9.1 | 6 | -041* | 35303-045* | 4 |
| -# | 4 | 3.4 | 4 | 8 | 7.1 | 4 | -031* | 35303-035* | 3 |
| -# | 3 | 1.4 | 2 | 6 | 5.1 | 2 | 53014-021* | 35303-025* | 2 |
| G | F | E | D | C | B | A | ENG. NO. △ | ENG. NO. △ | NO. OF CKTS. |

| | |
|--------------------|-------|
| ANGLE | ±3° |
| 30 OVER | ±0.3 |
| 10 OVER 30 UNDER | ±0.25 |
| 10 UNDER | ±0.2 |
| GENERAL TOLERANCES | |

NEW RELEASED
ECN NO. KOR2006-0082
DRWN: K.S.KIM (060102)
CHK: Y.Soo.KIM
APPR: SH.CHOI

QUALITY SYMBOLS
MAJOR
CRITICAL

GENERAL TOLERANCES:
(UNLESS SPECIFIED)

| | | |
|----------|-----|------|
| | mm | INCH |
| 4 PLACES | ±0. | ±. |
| 3 PLACES | ±0. | ±. |
| 2 PLACES | ±0. | ±. |
| 1 PLACE | ±0. | ±. |

ANGULAR: ± °

DRAFT WHERE APPLICABLE MUST REMAIN WITHIN DIMENSIONS

SCALE 5:1
DESIGN UNITS mm INCH
THIRD ANGLE PROJECTION mm INCH ONLY
SHT REV
REVISE ON CAD ONLY

TITLE: 2.0 LOW PROFILE WAFER ASS'Y

MOLEX INCORPORATED

CAD FILENAME MATERIAL NO. DRAWING NO. SHEET NO.
SD-35303-010 1 OF 1

THIS DRAWING CONTAINS INFORMATION THAT IS PROPRIETARY TO MOLEX INCORPORATED AND SHOULD NOT BE USED WITHOUT WRITTEN PERMISSION.

SIZE B

8 7 6 5 4 3 2 1 KOREA MX-A3