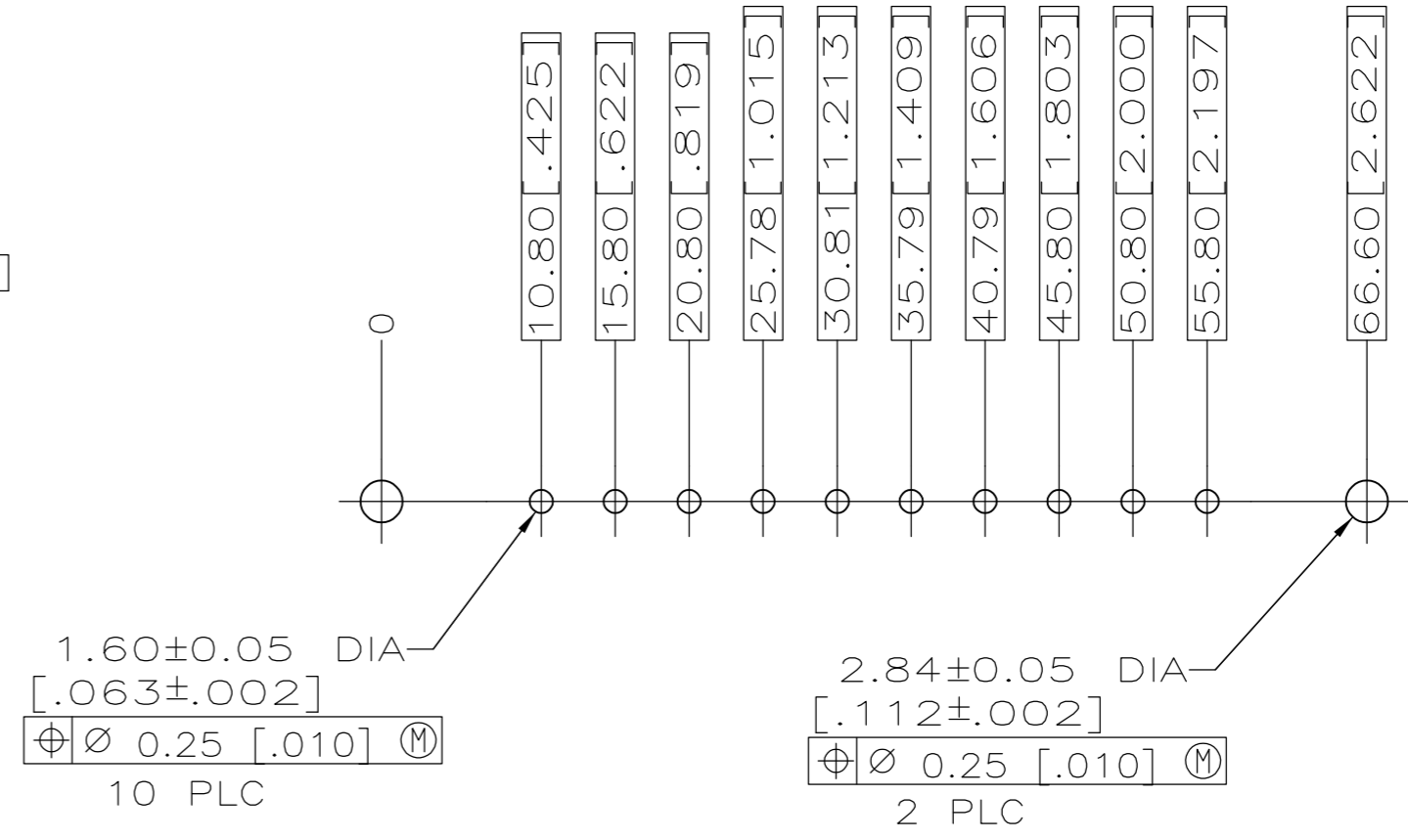
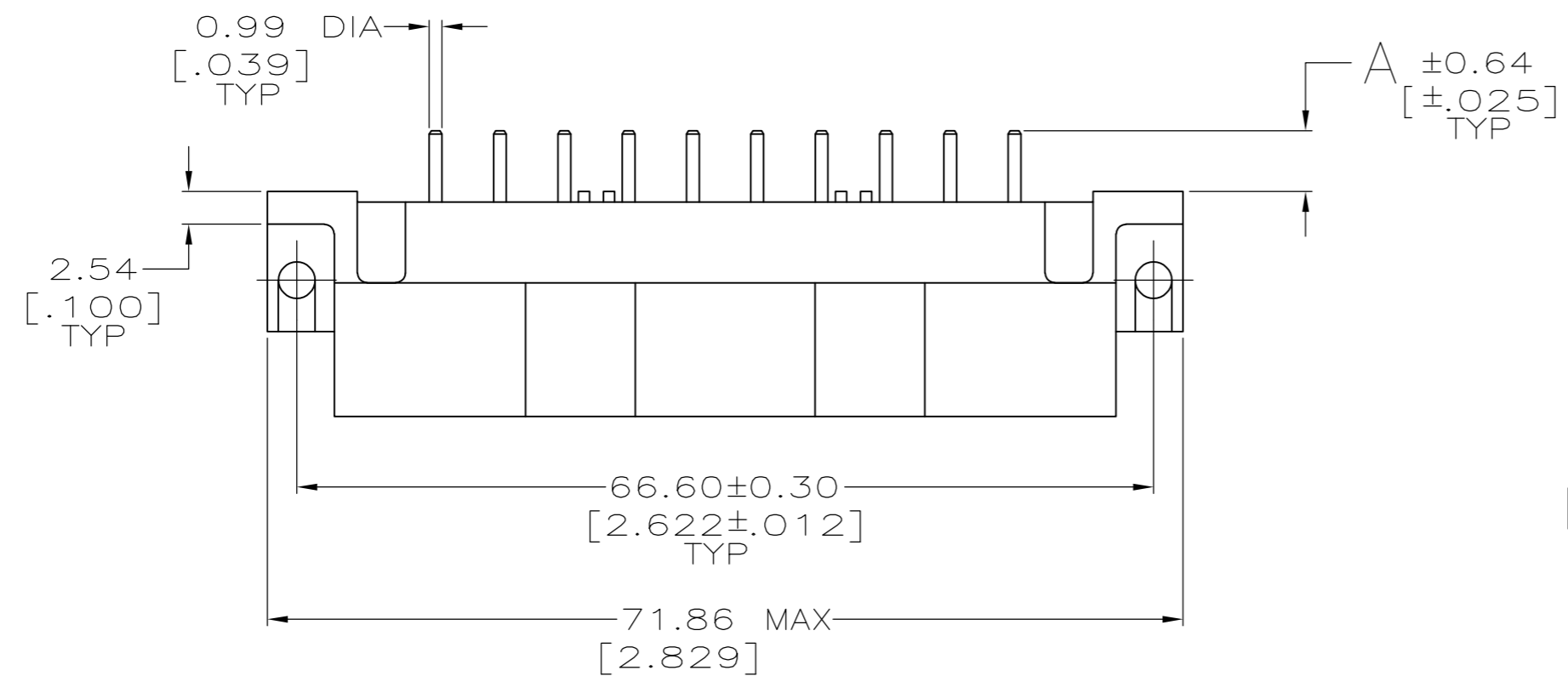
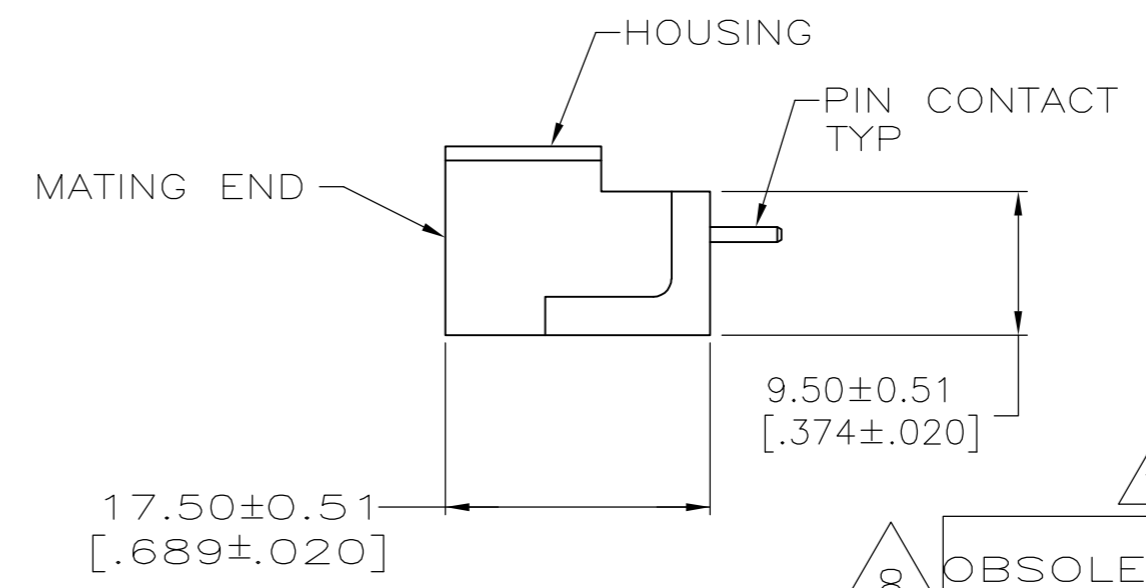
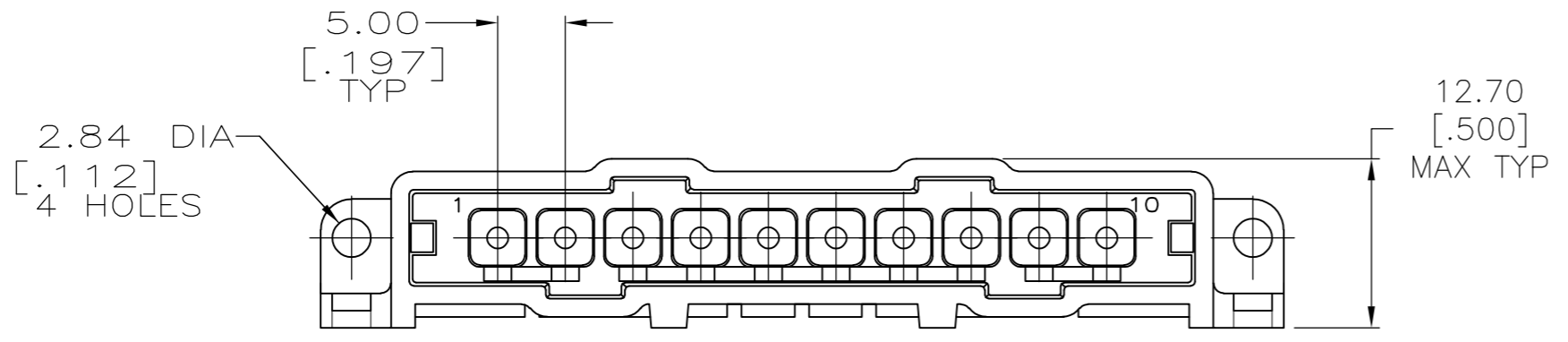


THIS DRAWING IS UNPUBLISHED. RELEASED FOR PUBLICATION
 © COPYRIGHT - By - ALL RIGHTS RESERVED.

LOC		DIST		REVISIONS			
P	LTR	DESCRIPTION	DATE	DWN	APVD		
FT	0	K3	REVISED PER ECO-11-005027	11MAR11	RK	HMR	



RECOMMENDED PC BOARD LAYOUT



- 1 NYLON, RED.
- 2 BRASS PER ASTM B36.
- 3 3.81um [.000150] MIN TIN-LEAD OVER 2.54um [.000100] MIN COPPER OR 1.27um [.000050] MIN NICKEL.
- 4 0.76um [.000030] MIN GOLD FOR A LENGTH OF 5.08 [.200] MIN FROM MATING END, 3.81um [.000150] MIN TIN-LEAD FOR A LENGTH OF 5.36 [.211] MIN FROM OPPOSITE END, BOTH OVER 1.27um [.000050] MIN NICKEL.
- 5 3.81um [.000150] MIN TIN OVER 2.54um [.000100] MIN COPPER OR 1.27um [.000050] MIN NICKEL.
- 6 0.76um [.000030] MIN GOLD FOR A LENGTH OF 5.08 [.200] A LENGTH MIN FROM MATING END, 3.81um [.000150] MIN TIN FOR 1.27um OF 5.36 [.211] MIN FROM OPPOSITE END, BOTH OVER [.000050] MIN NICKEL.
- 7 PRILIMINARY PART NUMBER.
- 8 OBSOLETE PARTS: OBSOLETE CIS STREAMLINING PER D.RENAUD/D.SINISI

7	3.50 [.137]	6	1-207584-0
8 OBSOLETE	7.52 [.296]	6	207584-9
	4.72 [.186]	6	207584-8
	4.72 [.186]	5	207584-7
8 OBSOLETE	7.52 [.296]	4	207584-6
	4.72 [.186]	4	207584-3
	4.72 [.186]	3	207584-1
	A	FINISH	PART NUMBER

THIS DRAWING IS A CONTROLLED DOCUMENT.		DWN	L.SIPE	07/21/92	TE TE Connectivity	
DIMENSIONS: mm [INCHES]		CHK	R.STONE	7-24-92		
TOLERANCES UNLESS OTHERWISE SPECIFIED:		APVD	-	-	NAME	
0 PLC ± -	1 PLC ± -	PRODUCT SPEC	-	-	PIN HEADER ASSEMBLY, 10 POSN, IN-LINE, SMALL METRIC CONNECTOR, METRIMATE	
2 PLC ± 0.25 [.010]	3 PLC ± -	APPLICATION SPEC	-	-	SIZE	CAGE CODE
4 PLC ± -	ANGLES ± -	WEIGHT	-	-	A2	00779
MATERIAL HOUSING: 1 CONTACTS: 2		FINISH CONTACTS: SEE TABLE	SCALE	2:1	DRAWING NO	C=207584
		CUSTOMER DRAWING	SHEET	1 OF 1	REV	K3