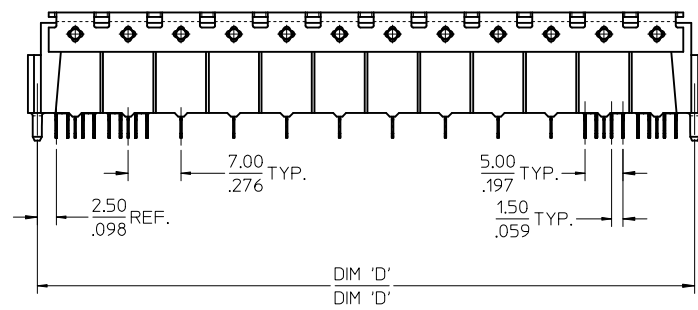
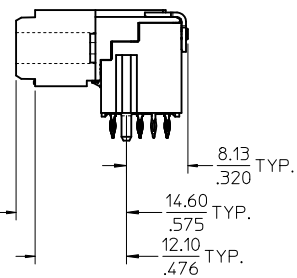


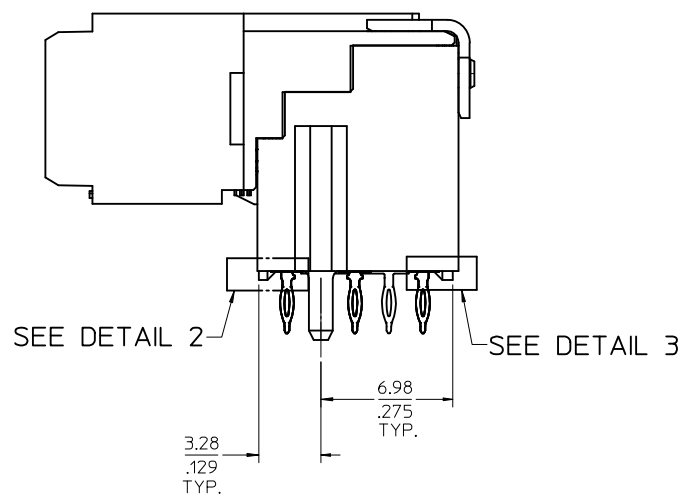
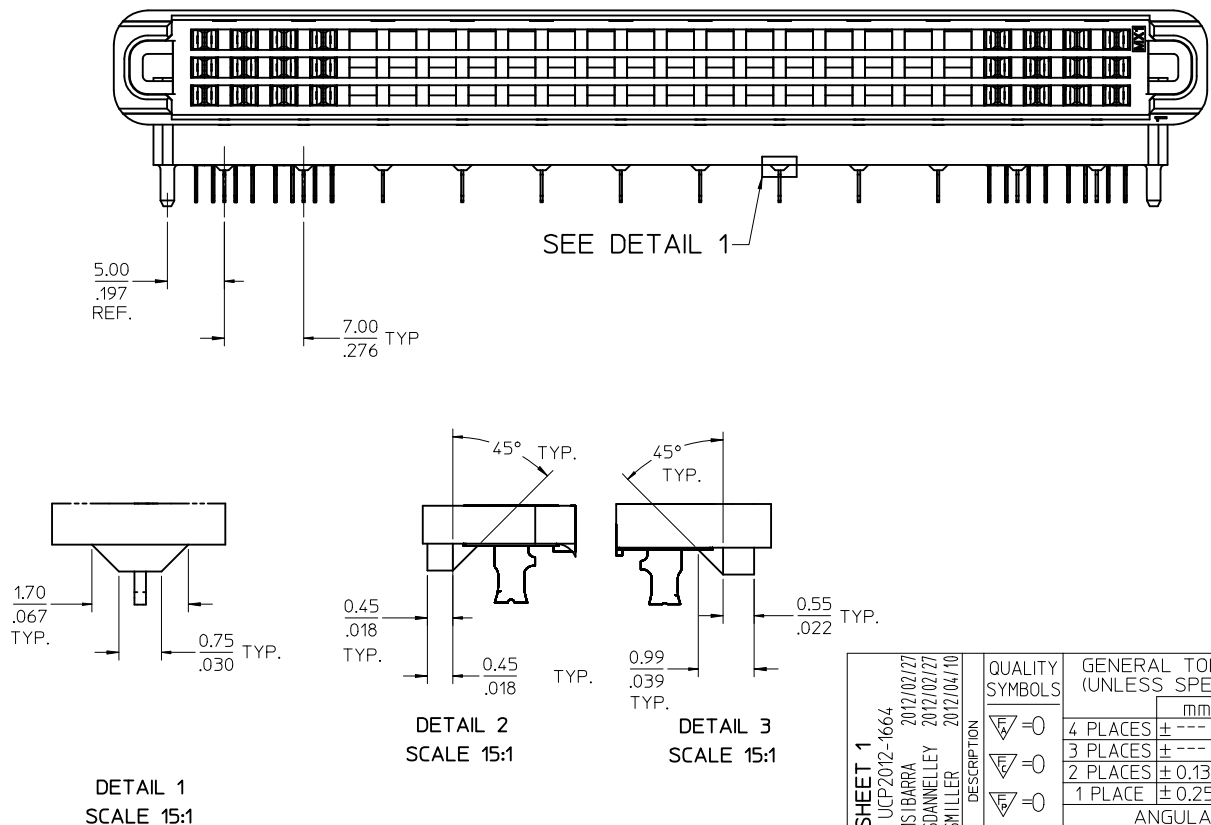
- NOTES:**
- MATERIALS:**
 HOUSING - LIQUID CRYSTAL POLYMER, UL94 V-0
 WAFER DIELECTRIC - LIQUID CRYSTAL POLYMER, UL94 V-0
 CONTACT - COPPER ALLOY
 - FINISHES:**
CONTACT INTERFACE
 0.76 MICROMETER MINIMUM SELECT GOLD
 1.27 MICROMETER MINIMUM NICKEL OVERALL
COMPLIANT INTERFACE
 0.76 MICROMETER MINIMUM SELECT TIN-LEAD OVER
 1.27 MICROMETER MINIMUM NICKEL OVERALL
HOUSING
 0.10 MICROMETER MAXIMUM IMMERSION GOLD OVER
 3.81 MICROMETER MINIMUM NICKEL OVER
 3.81 MICROMETER MINIMUM COPPER OVERALL
 - PRODUCT SPECIFICATION:** THIS PART CONFORMS TO MOLEX SPECIFICATION PS-75018-001.
 - PACKAGING SPECIFICATION:** THIS PART TO BE PACKAGED PER SPECIFICATION PK-75020-030.
 - APPLICATION SPECIFICATION:** THIS PART TO BE APPLIED PER SPECIFICATION PS-75018-001. APPLICATION TOOL AND INSTRUCTIONS PER AS-75018-001.
 - MATING INFORMATION**
 THIS PART MATES WITH 75019-XXXX.
 WILL MATE WITH MAXIMUM 1.27mm MIS-ALIGNMENT.
 WILL MATE WITH MAXIMUM 0.5° MIS-ALIGNMENT.
 - FOR CIRCUIT DESIGNATION** SEE SHEET 3
 - FOR PCB INFORMATION** SEE SHEET 3
 - CIRCUITS IN THIS ZONE** HAVE BEEN OMITTED TO SIMPLIFY THE MODEL. ACTUAL PRODUCT IS FULLY LOADED WITH TERMINALS.
 - APPLICATION TOOLING** KEEP OUT AREA. NO COMPONENTS ALLOWED IN THIS AREA.
 - CONFORMS TO MOLEX COSMETIC SPECIFICATION** PS-45499-002 AND PS-45499-003, CLASS C.
 - MARKING:** PART NUMBER, MOLEX LOGO, DATE CODE
 - RECOMMENDED DRILL SIZE** 0.66±0.03 TO YIELD FINISHED PLATED THROUGH HOLE OF 0.55±0.05



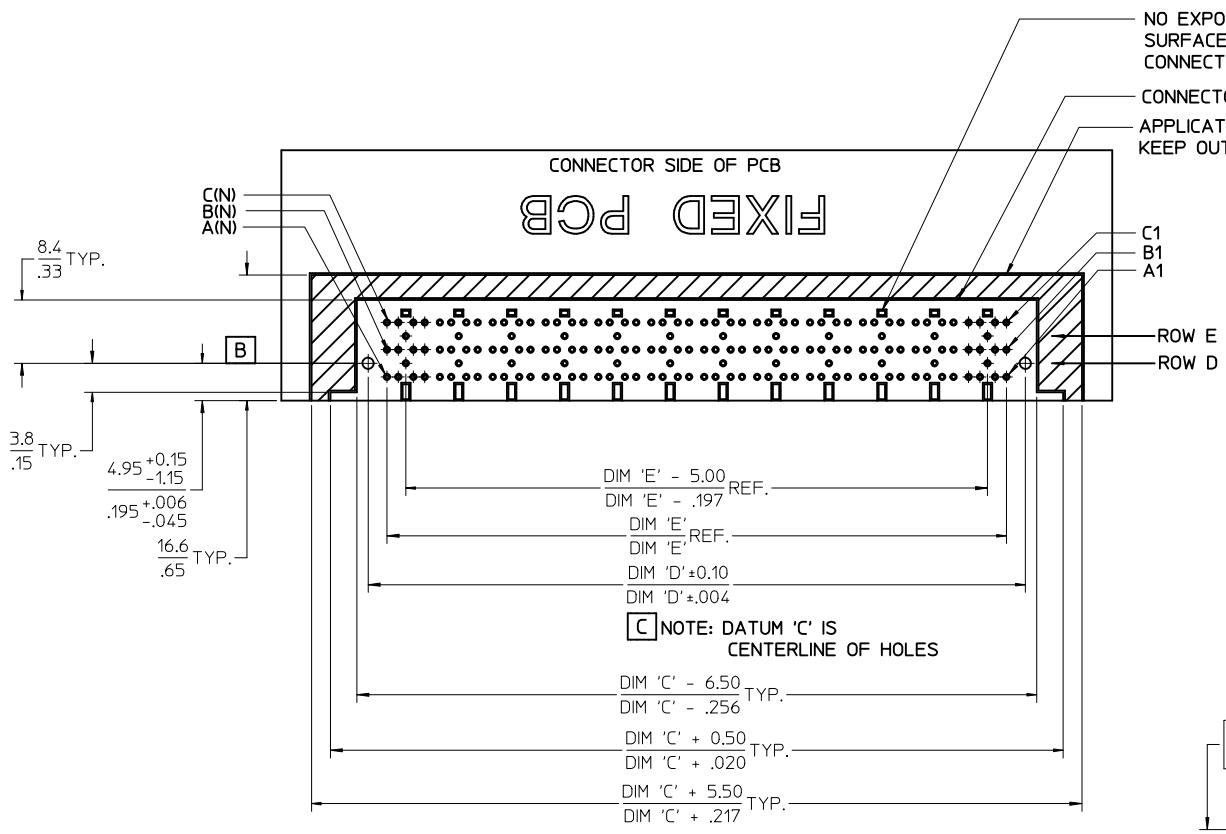
MODIFY PACKAGING SPEC EC NO: UCP2012-1664 DRWN:MS BARRA 2012/02/27 CHKD:SDANNELLEY 2012/02/27 APPR:SMILLER 2012/04/10	QUALITY SYMBOLS 	GENERAL TOLERANCES (UNLESS SPECIFIED)		DIMENSION STYLE MM/IN	SCALE 2:1	DESIGN UNITS METRIC	THIRD ANGLE PROJECTION		
		4 PLACES ± .005 ± .005 3 PLACES ± .005 ± .005 2 PLACES ± 0.13 ± .01 1 PLACE ± 0.25 ± .01	DRAWN BY MIBARRA	DATE 2009/05/22	CHECKED BY SDANNELLEY	DATE 2009/05/22	PLATEAU HS DOCK FIXED CONNECTOR NO GROUND FINGER		
		ANGULAR ±1/2°	APPROVED BY SMILLER	DATE 2009/05/22	MOLEX INCORPORATED				
		DRAFT WHERE APPLICABLE MUST REMAIN WITHIN DIMENSIONS	MATERIAL NO. SEE TABLE	DOCUMENT NO. SD-75018-061	SHEET NO. 1 OF 3				

ITEM NUMBER	CIRCUIT SIZE	NO. OF COLUMNS 'N'	CENTERLINE DIMENSION 'A' mm(in)	O/A HEIGHT DIMENSION 'B' mm(in)	O/A LENGTH DIMENSION 'C' mm(in)	PEG TO PEG DIMENSION 'D' mm(in)	FIRST-LAST DIMENSION 'E' mm(in)	WALL TO WALL DIMENSION 'F' mm(in)
75018-6016	120	40	4.74 (.187)	9.78 (.385)	82.50 (3.248)	73.00 (2.874)	68.00 (2.677)	72.30 (2.846)
75018-6021	144	48	4.74 (.187)	9.78 (.385)	96.50 (3.799)	87.00 (3.425)	82.00 (3.228)	86.32 (3.398)
75018-6022	144	48	5.74 (.226)	10.78 (.424)	96.50 (3.799)	87.00 (3.425)	82.00 (3.228)	86.32 (3.398)
75018-6023	144	48	8.74 (.344)	13.78 (.543)	96.50 (3.799)	87.00 (3.425)	82.00 (3.228)	86.32 (3.398)
75018-6026	120	40	4.74 (.187)	9.78 (.385)	82.50 (3.248)	73.00 (2.874)	68.00 (2.677)	72.30 (2.846)
75018-6025	108	36	8.74 (.344)	13.78 (.543)	75.50 (2.972)	66.00 (2.598)	61.00 (2.402)	65.29 (2.570)
75018-6027	108	36	5.74 (.226)	10.78 (.424)	75.50 (2.972)	66.00 (2.598)	61.00 (2.402)	65.29 (2.570)
75018-6029	120	40	5.74 (.226)	10.78 (.424)	82.50 (3.248)	73.00 (2.874)	68.00 (2.677)	72.30 (2.846)

NOTE: THIS ITEM NUMBER HAS ONLY SIGNAL PINS



SEE SHEET 1 EC NO: UCP2012-1664 2012/02/27 DRWN:MS BARRA 2012/02/27 CHKD:SDANNELLEY 2012/02/27 APPR:SMILLER 2012/04/10	QUALITY SYMBOLS ∇=0 ∇=0 ∇=0	GENERAL TOLERANCES (UNLESS SPECIFIED)		DIMENSION STYLE MM/IN		SCALE 3:1	DESIGN UNITS METRIC	THIRD ANGLE PROJECTION
		4 PLACES ± --- ± --- 3 PLACES ± --- ± .005 2 PLACES ± 0.13 ± .01 1 PLACE ± 0.25 ± --- ANGULAR ± 1/2°	mm INCH DRAWN BY DATE MIBARRA 2009/05/22 CHECKED BY DATE SDANNELLEY 2009/05/22 APPROVED BY DATE SMILLER 2009/05/22	TITLE PLATEAU HS DOCK FIXED CONNECTOR NO GROUND FINGER				
DRAFT WHERE APPLICABLE MUST REMAIN WITHIN DIMENSIONS		SEE TABLE		MATERIAL NO. MOLEX INCORPORATED		DOCUMENT NO. SD-75018-061		SHEET NO. 2 OF 3
THIS DRAWING CONTAINS INFORMATION THAT IS PROPRIETARY TO MOLEX INCORPORATED AND SHOULD NOT BE USED WITHOUT WRITTEN PERMISSION								



NO EXPOSED TRACES ON SURFACE OF PCB IN CONNECTOR STAND OFF LOCATIONS
 CONNECTOR KEEP OUT AREA
 APPLICATION TOOLING KEEP OUT AREA (NOTES 5 & 10)

CIRCUIT DESIGNATION

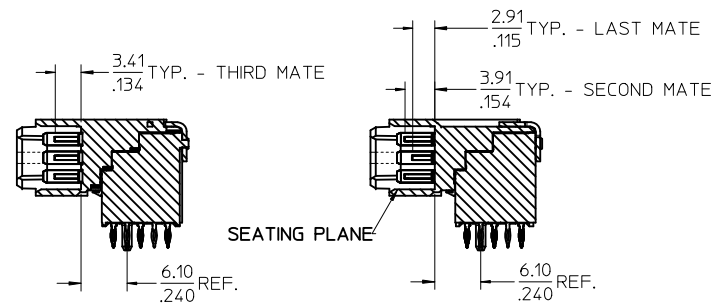
FIRST MATE: HOUSING - SIGNAL GROUND
 SECOND MATE: A1, C1, A(N), C(N) (FOR POWER RETURN)
 THIRD MATE: A2, B2, C2, A(N-1), B(N-1), C(N-1) & ALL OTHERS (A2, C2, A(N-1) & C(N-1) FOR POWER) (ALL OTHERS SIGNAL)
 LAST MATE: B1, B(N) (FOR CARD DETECT)

ALL COLUMNS FROM 3 THROUGH (N-2) ARE SUITABLE FOR DIFFERENTIAL PAIRS
 EG: A3-A4, B3-B4, C3-C4, A(N-2)-A(N-3), B(N-2)-B(N-3)

SIGNAL GROUND: ROWS D & E

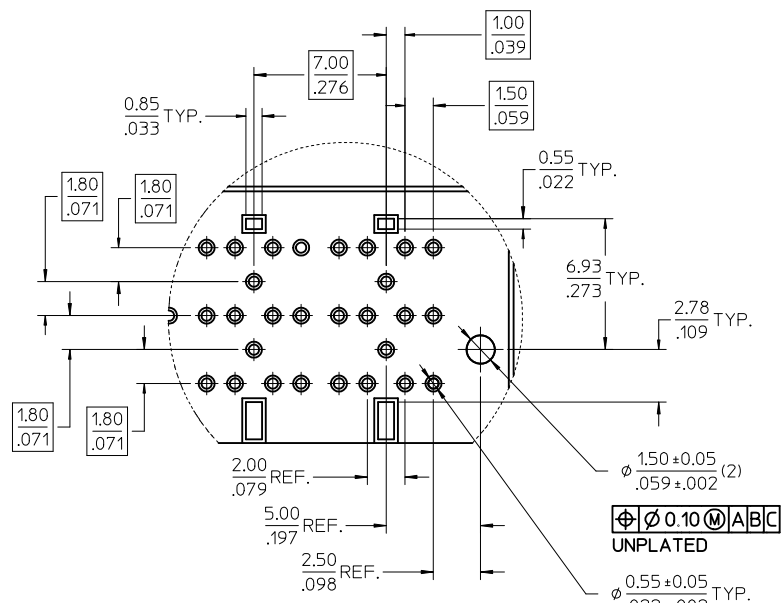
NOMINAL WIPE - FULL SEATED

FIRST MATE: 5.2mm
 SECOND MATE: 2.7mm
 THIRD MATE: 2.2mm
 LAST MATE: 1.7mm



SECTION Y-Y

SECTION Z-Z



DETAIL X
 SCALE 5:1

$\phi 0.10 \text{ (M) ABC}$
 UNPLATED
 $\phi 0.55 \pm 0.05 \text{ TYP.}$
 $\phi 0.22 \pm 0.02$
 $\phi 0.10 \text{ (M) ABC}$
 PLATED
 SEE NOTE 13

SEE SHEET 1 EC NO: UCP2012-1664 DRAWN: MIBARRA 2012/02/27 CHKD: SDANNELLEY 2012/02/27 APPR: SMILLER 2012/04/10	QUALITY SYMBOLS ▽=0 ▽=0 ▽=0	GENERAL TOLERANCES (UNLESS SPECIFIED)		DIMENSION STYLE MM/IN		SCALE 2:1	DESIGN UNITS METRIC	THIRD ANGLE PROJECTION	
						TITLE PLATEAU HS DOCK FIXED CONNECTOR NO GROUND FINGER			
						DRAWN BY MIBARRA		DATE 2009/05/22	
						CHECKED BY SDANNELLEY		DATE 2009/05/22	
						APPROVED BY SMILLER		DATE 2009/05/22	
				ANGULAR ±1/2°		MATERIAL NO. SEE TABLE		DOCUMENT NO. SD-75018-061	
		DRAFT WHERE APPLICABLE MUST REMAIN WITHIN DIMENSIONS		SIZE C		THIS DRAWING CONTAINS INFORMATION THAT IS PROPRIETARY TO MOLEX INCORPORATED AND SHOULD NOT BE USED WITHOUT WRITTEN PERMISSION		SHEET NO. 3 OF 3	