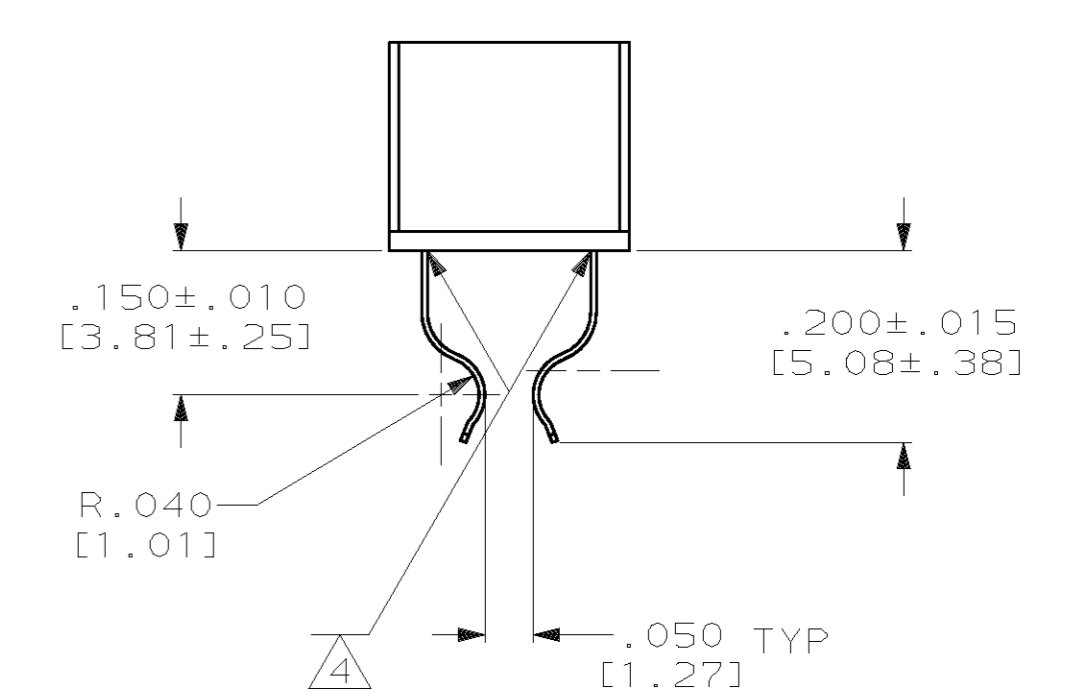
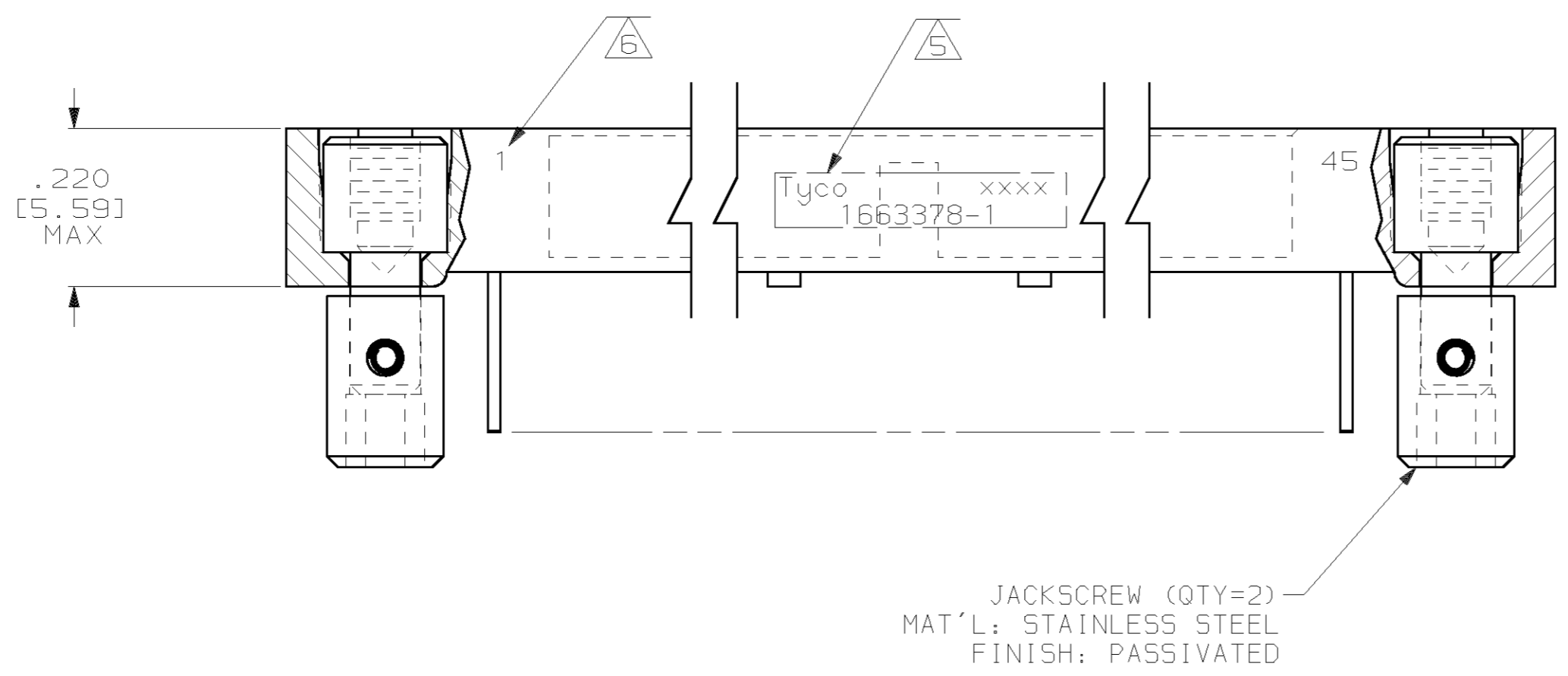
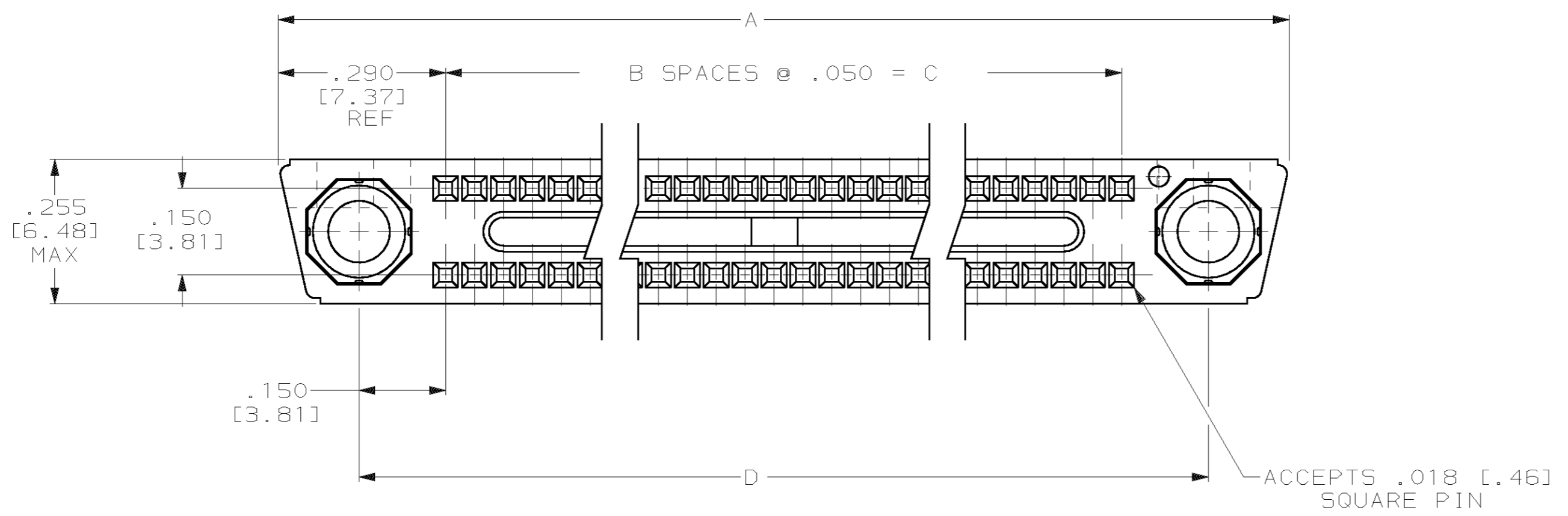


THIS DRAWING IS UNPUBLISHED. RELEASED FOR PUBLICATION
 (C) COPYRIGHT 19 BY AMP INCORPORATED. ALL RIGHTS RESERVED.

LOC		DIST		REVISIONS			
P	LTR	DESCRIPTION	DATE	DWN	APVD		
DF	FO	A	REV PER 063D-0168-03	6-03	CT	DN	



- ① HOUSING MATERIAL: LIQUID CRYSTAL POLYMER PER MIL-M-24519, GLCP-30F; COLOR: GRAY.
- ② CONTACT MATERIAL: BERYLLIUM COPPER.
- ③ CONTACT FINISH: .000050 GOLD IN CONTACT AREA, GOLD FLASH OVER REMAINDER OF CONTACT. BOTH OVER NICKEL. TIN-LEAD PLATED SOLDER-TAILS FOR SOLDERABILITY.
- ④ THIN BEAD OF EPOXY ADDED FOR CONTACT RETENTION.
- ⑤ TYCO, TYCO PART NO. & DATE CODE MARKED THIS APPROXIMATE AREA.
- ⑥ NUMBERS OF END POSITIONS MARKED ONE SIDE ONLY (SEE TABLE).
- ⑦ MUST MEET ALL APPLICABLE REQUIREMENTS OF MIL-C-55302.

CONTACT IDENT NUMBERS	D	C	B	A	NUMBER OF CONTACTS	PART NUMBER
1 - 25	1.500 [38.10]	1.200 [30.45]	24	1.790 [45.47]	50	1663378-2
1 - 45	2.500 [63.50]	2.200 [55.88]	44	2.790 [70.87]	90	1663378-1

THIS DRAWING IS A CONTROLLED DOCUMENT.

DWN	C.C. THOMAS	3-25-03	 TYCO Electronics Harrisburg, PA 17105-3608
CHK	D. NALLY	3-25-03	
APVD	D. NALLY	3-25-03	
PRODUCT SPEC			
APPLICATION SPEC			NAME
DIMENSIONS: INCHES [mm]			RECEPTACLE ASSY, MINI-BOX WITH LOW FORCE CONTACTS, CARD EXTENDER WITH JACK SCREWS
TOLERANCES UNLESS OTHERWISE SPECIFIED: 0 PLC ±- 1 PLC ±- 2 PLC ±- 3 PLC ±.005 [0.13] 4 PLC ±- ANGLES ±-			SIZE: A2 CAGE CODE: 00779 DRAWING NO: 1663378 RESTRICTED TO: -
MATERIAL: ①② FINISH: ③			SCALE: 5:1 SHEET: 1 OF 1 REV: A
CUSTOMER DRAWING			