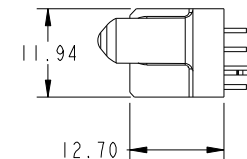
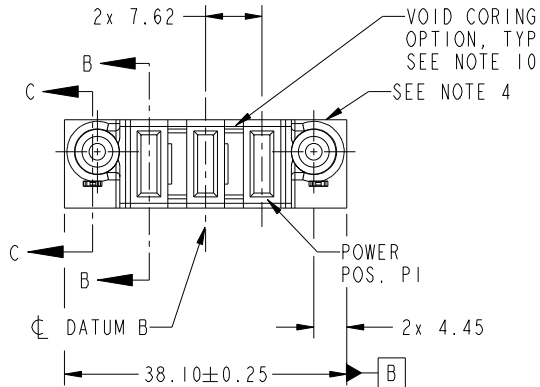




Copyright FCI.

PRODUCT NO. 51940-467-- NOTE: 3	POWER				
	E2	P3	P2	P1	E1

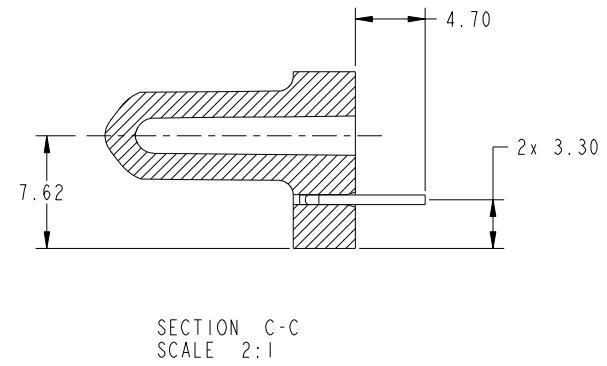
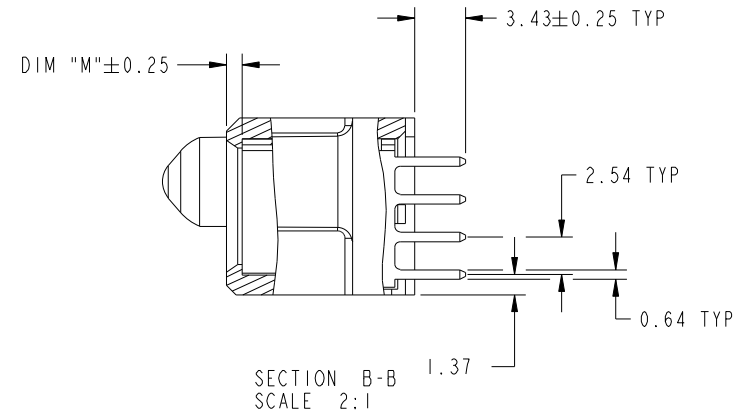


CODE	DIM "M" MATING LENGTH	CONTACT TYPE
PA	[1.07]	POWER
HA	[N/A]	HOLD-DOWN

spec ref	*	dr	Weller Luo	2012-11-19	projection	MM	size	A4	scale	1:1
tolerance std	TOLERANCES UNLESS OTHERWISE SPECIFIED	eng	Weller Luo	2012-12-14			ecn no	*		
SEE NOTE		chr	-	-	product family	PwrBlade		rel level	Released	
surface		linear	0.X	±0.5		www.fci.com	cat. no.	*	Product - Customer Drw	sheet 1 of 4
		0.XX	±0.25	FCI	title					
	angular	0°	±2°			www.fci.com	cat. no.	*	Product - Customer Drw	sheet 1 of 4

Part File - REV C - 2009-06-09

PRODUCT NUMBER
51940-467__
NOTE: 3

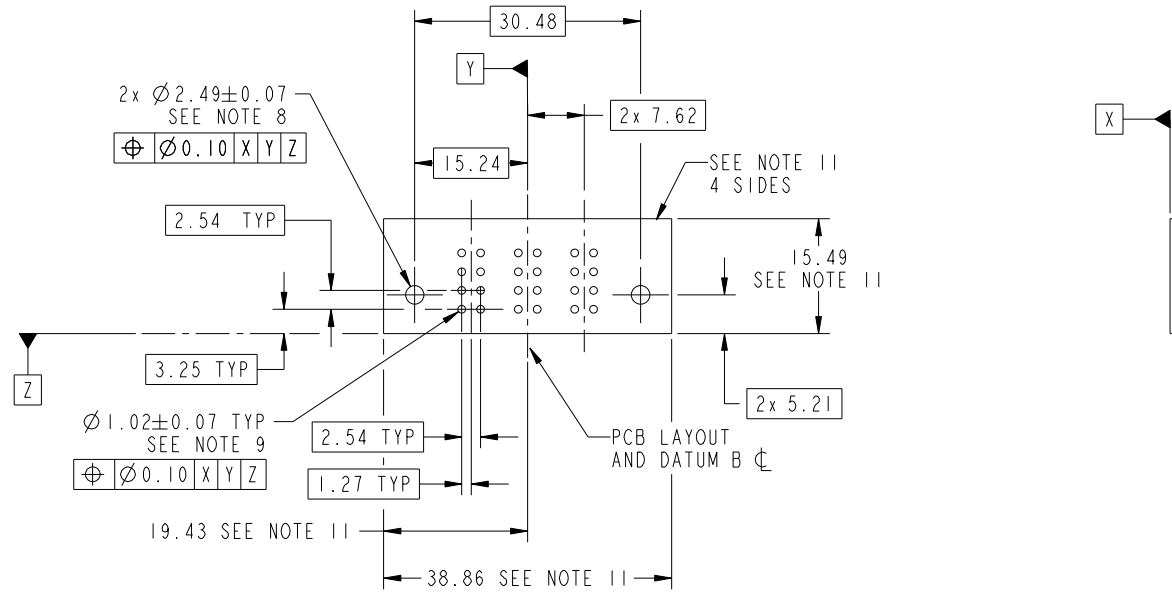


Copyright FCI.

dr	Weller Luo	2012-11-19	projection	MM	size	A4	scale	1:1
eng	Weller Luo	2012-12-14			ecn no	*		
chr	-	-	product family	PwrBlade	rel level	Released		
appr	PM ZHENG	2012-12-14	3ACP VERTICAL SOLDER RECEIPT		dwg no 51940-467	rev A		
www.fci.com			cat. no.	*	Product - Customer Drw		sheet 2 of 4	

PRODUCT NUMBER

51940-467__
NOTE: 3



RECOMMENDED PCB LAYOUT



Copyright FCI.

dr	Weller Luo	2012-11-19	projection	MM	size	A4	scale	1:1
eng	Weller Luo	2012-12-14			ecn no	*		
chr	-	-			rel level	Released		
appr	PM ZHENG	2012-12-14	product family	PwrBlade				
	title	3ACP		dwg no	51940-467		rev	A
www.fci.com	cat. no.	*	Product - Customer Drw		sheet 3 of 4			

PRODUCT NUMBER

51940-467__
NOTE: 3

NOTES:

1. DIMENSIONS AND TOLERANCES ARE IN ACCORDANCE WITH ASME Y14.5M, 1994 UNLESS OTHERWISE SPECIFIED.

CONNECTOR NOTES:

- 2 HOUSING MATERIAL: UL 94 V-0 GLASS FILLED HIGH-TEMP THERMOPLASTIC
POWER CONTACT MATERIAL: COPPER ALLOY
SIGNAL PIN MATERIAL: COPPER ALLOY
- 3. SEE ITEM 5 & 6 IN PRINT 10064183 FOR PLATING SPEC OF 51940-467 AND 51940-467LF RESPECTIVELY.
- 4 MANUFACTURER'S NAME, DATE CODE AND OPTIONAL P/N TO APPEAR ON THIS SURFACE. THE MARK CAN BE OMITTED IF THERE IS NOT ENOUGH SPACE ON THIS SURFACE.
- 5. PRODUCT SPECIFICATION GS-12-149.
APPLICATION SPECIFICATION BUS-20-067.
- 6. PACKAGED IN TRAYS.
- PCB NOTES:
- 7. ALL HOLE DIAMETERS ARE FINISHED HOLE SIZE.
- 8 MOUNTING HOLES, WHERE APPLICABLE, ARE UNPLATED.
- 9 $\varnothing 1.151 \pm 0.025$ DRILLED HOLES PLATED WITH
0.008 MIN SnPb OR Sn OVER 0.03
TO 0.08 Cu PLATING TO ACHIEVE
 $\varnothing 1.02 \pm 0.07$ HOLE.
- 10. THE VOID CORING IN BETWEEN POWER MODULES, SIGNAL MODULES AND END MODULES ARE OPTIONAL AND THE SHAPE MAY BE DIFFERENT FOR OPTIMIZE THE MOLDING PROCESS. THE VOID CORING WILL NOT EFFECT TO PRODUCT FUNCTION.
- 11 CONNECTOR KEEP-OUT ZONE.



C

Copyright FCI.

D

dr	Weller Luo	2012-11-19	projection 	MM 	size	A4	scale	1:1	
eng	Weller Luo	2012-12-14			ecn no	*			
chr	-	-			rel level	Released			
appr	PM ZHENG	2012-12-14	product family	PwrBlade	rel level	Released			
		title	3ACP VERTICAL SOLDER RECEPT		dwg no	51940-467		rev	A
www.fci.com		cat. no.	*	Product - Customer Drw			sheet 4 of 4		