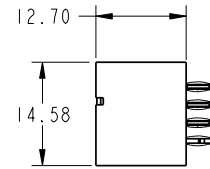
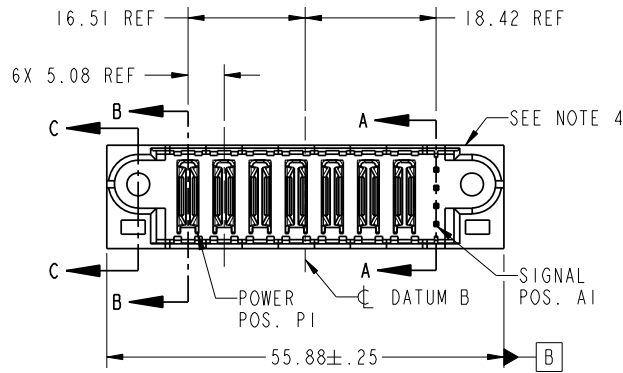


Tous droits strictement reserves. Reproduction ou communication a des tiers interdite sous quelque forme que ce soit sans autorisation écrite du propriétaire. Propriete de c FCI. Droits de reproduction FCI.



All rights strictly reserved. Reproduction or issue to third parties in any form whatever is not permitted without written authority from the proprietor. Property of FCI. Copyright FCI.

PRODUCT NO.	ROWS	POWER							SN	E2	
		E1	P1	P2	P3	P4	P5	P6	P7		1
51952-109-- NOTE ③	0 B A		PC	PC	PC	PC	PC	PC	PC	G G G K	



CODE	DIM "M" MATING LENGTH	CONTACT TYPE
PC	[N/A]	POWER
K	[5.59]	SIGNAL
G	[6.86]	SIGNAL
HA	[N/A]	HOLD-DOWN

mat'l code				tolerances unless otherwise specified		CUSTOMER	
ltr	ecn no.	dr	date	linear	0.X ± 0.3	COPY	
A	DG06-0518	JMG	12/08/06		0.XX ± 0.13	projection	title 7P + 4S VERTICAL PRESS-FIT HEADER
B	DG07-0357	JULIA	09/10/07	angles	0.XXX ± 0.051		
				dr	JM GUO 12/08/06	MM	product family PwrBlade
				engr	RYAN YUAN 12/13/06	scale 1:1	code 213
				chr	BEER FU 12/08/06		size A
				appd	JOSEPH HSIA 12/08/06		dwg no 51952-109
sheet index	revision sheet	B 1	B 2	B 3	B 4		sheet 1 of 4



www.fciconnect.com

product family

size

dwg no

code

sheet

1 of 4

cage code 22526

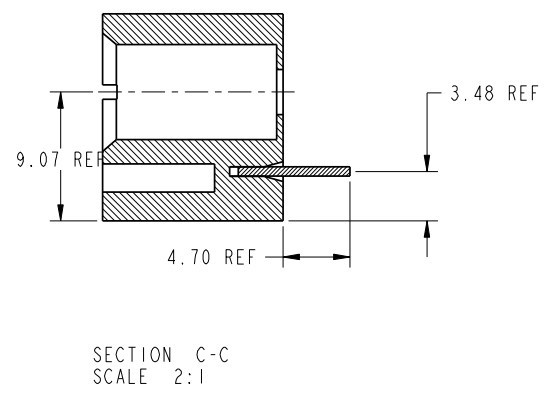
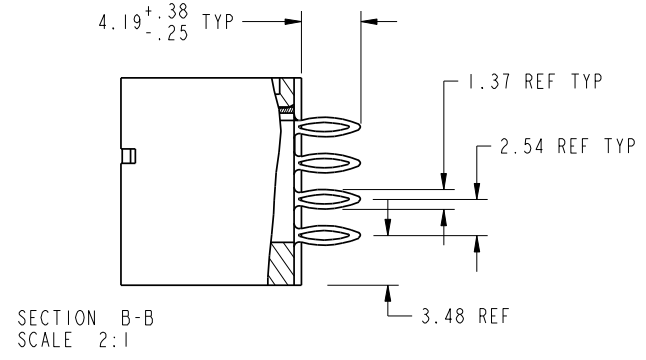
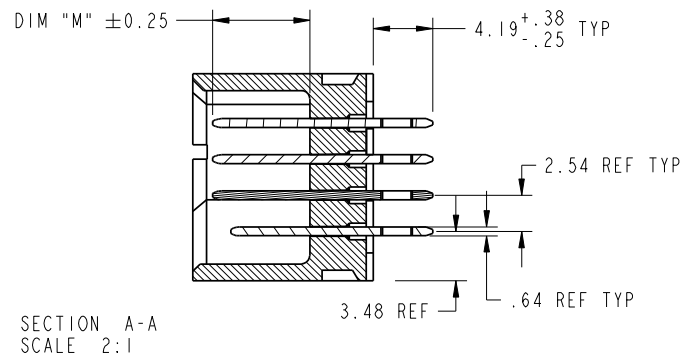
Pro/E

Tous droits strictement reserves. Reproduction ou communication a des tiers interdite sous quelque forme que ce soit sans autorisation ecrite du proprietaire. Propriete de c FCI. Droits de reproduction FCI.



All rights strictly reserved. Reproduction or issue to third parties in any form whatever is not permitted without written authority from the proprietor. Property of FCI. Copyright FCI.

PRODUCT NUMBER
51952-109__
NOTE 3



mat'l code				tolerances unless otherwise specified		CUSTOMER		FCI	
lfr	ecr no.	dr	date	linear	0.X ±0.3	COPY		www.fciconnect.com	
B				angles	0.XX ±0.13	projection	title 7P + 4S VERTICAL PRESS-FIT HEADER		
				dr	0.XXX ±0.051		product family PwrBlade code 213		
				enrg	0° ±2°	MM	size 2 of 4		
				chr	JM GUO 12/08/06	scale	A 51952-109		
				appd	RYAN YUAN 12/13/06	1:1	sheet 2 of 4		
					BEER FU 12/08/06				
					JOSEPH HSIA 12/08/06				
sheet index	revision sheet								

cage code 22526

Pro/E

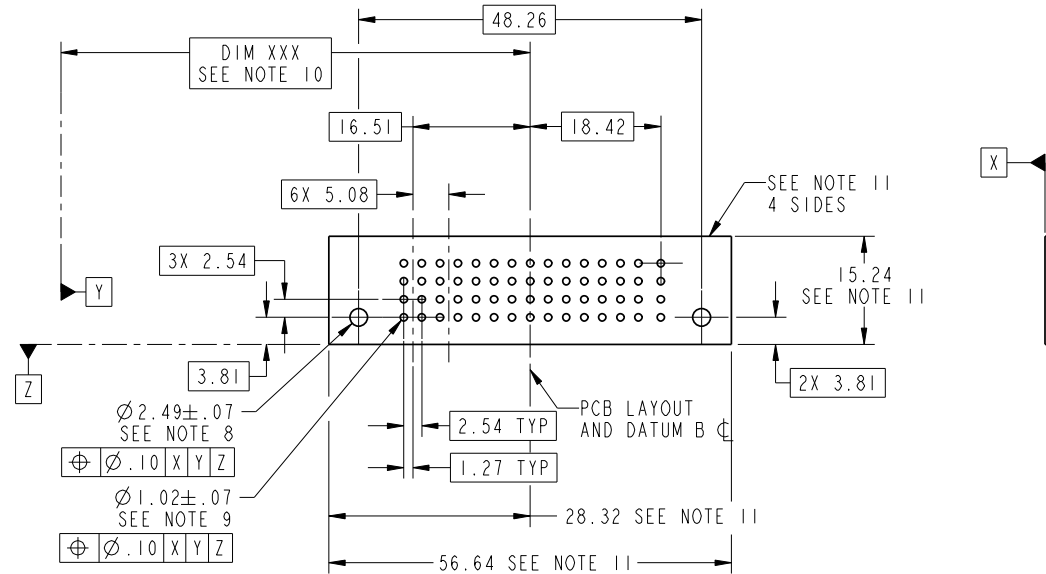
Tous droits strictement reserves. Reproduction ou communication a des tiers interdite sous quelque forme que ce soit sans autorisation écrite du propriétaire. Propriete de c FCI. Droits de reproduction FCI.



All rights strictly reserved. Reproduction or issue to third parties in any form whatever is not permitted without written authority from the proprietor. Property of FCI. Copyright FCI.

PRODUCT NUMBER
51952-109--
NOTE 3

1 | 2 | 3 | 4



mat'l code				tolerances unless otherwise specified		CUSTOMER		FCI	
lir	ecn no.	dr	date	linear	0.X ±0.3	COPY	www.fciconnect.com		
B					0.XX ±0.13	projection	title		
				angles	0.XXX ±0.051		7P + 4S		
				dr	0° ±2°	MM	VERTICAL PRESS-FIT HEADER		
				enr	JM GUO 12/08/06	scale	product family	PwrBlade	
				chr	RYAN YUAN 12/13/06	1:1	size	code	
				appd	BEER FU 12/08/06		dwg no	213	
					JOSEPH HSIA 12/08/06		51952-109	sheet	
sheet index	revision sheet						A	3 of 4	

A

A

B

B

1 | 2 | Pro/E | 3 | cage code 22526 | 4

Tous droits strictement reserves. Reproduction ou communication a des tiers interdite sous quelque forme que ce soit sans autorisation ecrite du proprietaire. Propriete de c FCI. Droits de reproduction FCI.



All rights strictly reserved. Reproduction or issue to third parties in any form whatever is not permitted without written authority from the proprietor. Property of FCI. Copyright FCI.

PRODUCT NUMBER
51952-109__
NOTE 3

NOTES:

1. DIMENSIONS AND TOLERANCES ARE IN ACCORDANCE WITH ASME Y14.5M, 1994 UNLESS OTHERWISE SPECIFIED.

CONNECTOR NOTES:

2 HOUSING MATERIAL: UL 94 V-0 GLASS FILLED
HIGH-TEMP THERMOPLASTIC
POWER CONTACT MATERIAL: COPPER ALLOY
SIGNAL PIN MATERIAL: COPPER ALLOY

3. PLATING:
51952-109 ,51952-109LF PLATING SPEC. WAS SHOWN IN THE PRINT OF 10064183.

4 MANUFACTURER'S NAME, P/N, AND DATE CODE TO APPEAR ON THIS SURFACE.

5. PRODUCT SPECIFICATION GS-12-149.
APPLICATION SPECIFICATION BUS-20-067.

6. PACKAGED IN TRAYS.

PCB NOTES:

7. ALL HOLE DIAMETERS ARE FINISHED HOLE SIZE.

8. MOUNTING HOLES, WHERE APPLICABLE, ARE UNPLATED.

9 $\varnothing 1.151 \pm 0.025$ DRILLED HOLES PLATED WITH
0.008 MIN SnPb OR Sn OVER 0.03
TO 0.08 Cu PLATING TO ACHIEVE
 $\varnothing 1.02 \pm .07$ HOLE.

10 "DIM XXX" TO BE DETERMINED BY THE CUSTOMER.

11 CONNECTOR KEEP-OUT ZONE.

12. FOR PRESS FIT APPLICATION USE FCI CAM TOOL 430169-XXX.

mat'l code				tolerances unless otherwise specified		CUSTOMER			
lfr	ecr no.	dr	date	linear	0.X ± 0.3	COPY		www.fciconnect.com	
B				linear	0.XX ± 0.13	projection	title		
				angles	0.XXX ± 0.051		7P + 4S		
				dr	0° ± 2°		VERTICAL PRESS-FIT HEADER		
				enr	JM GUO 12/08/06	scale	product family	PwrBlade	code
				chr	RYAN YUAN 12/13/06	1:1	size	dwg no	213
				appd	BEER FU 12/08/06		A	51952-109	sheet
					JOSEPH HSIA 12/08/06				4 of 4
sheet index	revision sheet								

cage code 22526

Pro/E