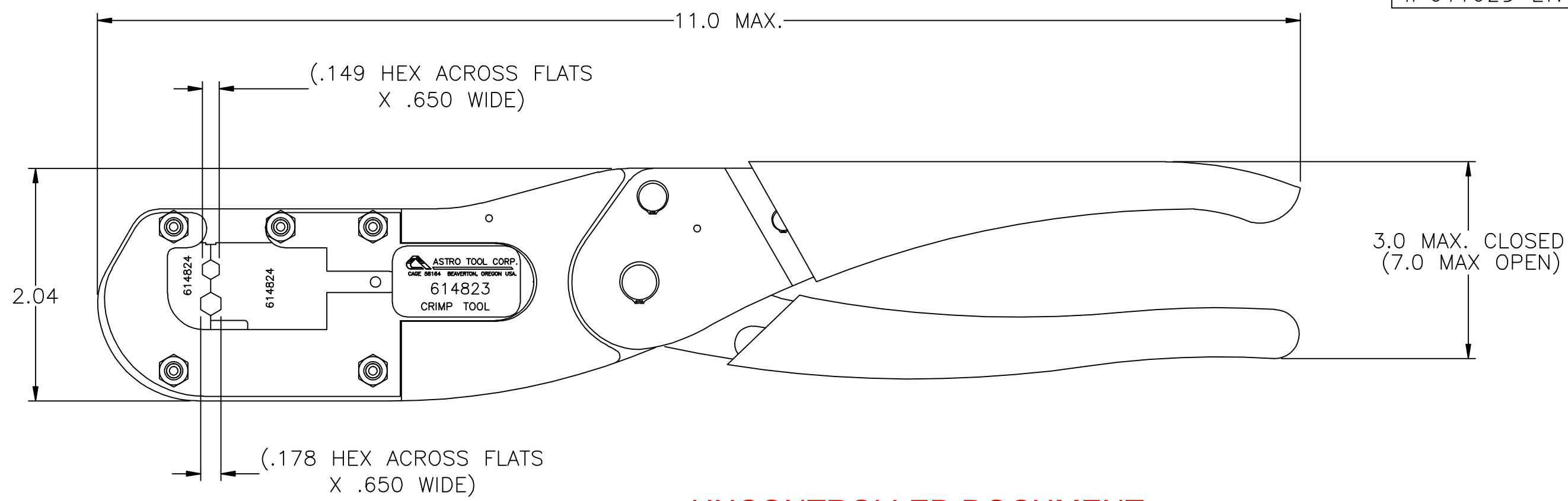
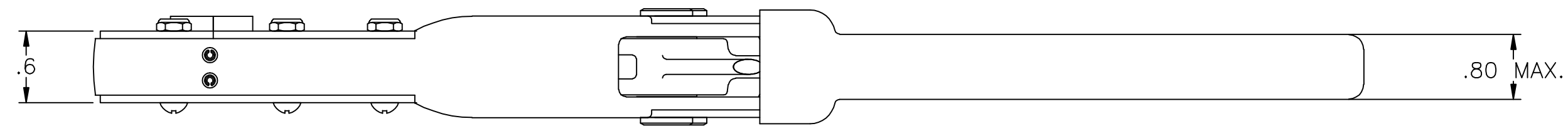


# 614823-ENV



**UNCONTROLLED DOCUMENT  
WILL NOT BE UPDATED**



NOTES:  
1. THIS IS AN AUTOCAD DRAWING DO NOT CHANGE MANUALLY.

REV.	DESCRIPTION	BY	DATE	APR.
A	NEW RELEASE	DYO	01-20-15	MMK

THESE DRAWINGS, SPECIFICATIONS OR OTHER DATA ARE AND REMAIN THE PROPERTY OF ASTRO TOOL CORP. AND MUST BE RETURNED UPON REQUEST. THEY CONTAIN INFORMATION OWNED AND/OR DEVELOPED BY ASTRO AT ITS OWN PRIVATE EXPENSE AND MAY NOT BE USED, DUPLICATED OR DISCLOSED TO OTHERS, IN WHOLE OR IN PART FOR DESIGN, MANUFACTURE OR PROCUREMENT WITHOUT THE WRITTEN PERMISSION OF ASTRO TOOL CORP. EACH AND EVERY TIME.

SCALE: N.T.S.  
DWN BY: DYO  
DATE: 01-20-15  
APPROVED:

UNLESS OTHERWISE SPECIFIED:  
DECIMALS:  
.XXX ± .005  
.XX ± .010  
.X ± .030  
ANGLES: ± 1°

**ASTRO TOOL CORP.**  
21615 S.W. TUALATIN VALLEY HWY., BEAVERTON OR 97006  
CAGE 58164

DESCRIPTION: ENVELOPE DRAWING: 614823  
CLOSED FRAME CRIMP TOOL W/ DIE

PART NO. B 614823-ENV