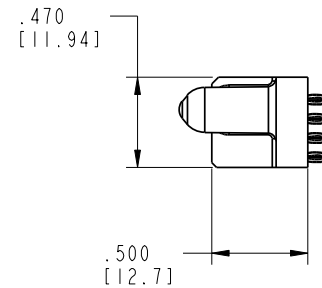
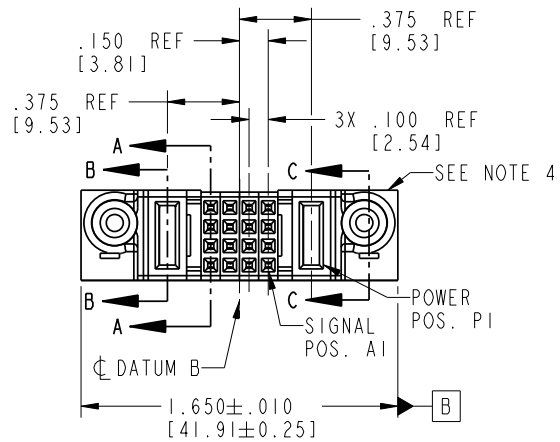


Tous droits strictement réservés. Reproduction ou communication o des liers interdite sous quelque forme que ce soit sans autorisation écrite du propriétaire. Propriété de c FCI. Droits de reproduction FCI.

All rights strictly reserved. Reproduction or issue to third parties in any form whatever is not permitted without written authority from the proprietor. Property of FCI. Copyright FCI.

FCI

PRODUCT NO. 51940-168 -- NOTE: 3	ROWS DCBA	PW		SIGNAL				PW		E1
		E2	P2	4	3	2	1	P1		



CODE	DIM "M" MATING LENGTH	CONTACT TYPE
PC	.042 [1.07]	POWER
PF	.092 [2.34]	POWER
F	N/A [N/A]	SIGNAL

mat'l code				SEE NOTE 2		tolerances unless otherwise specified		CUSTOMER		 www.fciconnect.com	
lir	ecn no.	dr	date	linear	.XX±.01/0.X±0.3		COPY		title		
A	DG05-0346	GuoJM	09/21/05		.XXX±.005/0.XX±0.13		projection		IP + 16S + IP		
					.XXX±.0020/0.XXX±0.051				VERTICAL PF RECEPT		
					angles 0° ± 2°		INCH/MM		product family		
				dr	JM Guo	09/21/05	scale		PwrBlade		
				engr	STEVEN WANG	09/21/05	1:1		code		
				chr	VICTOR LIN	09/21/05			213		
				appd	JOSEPH HSIA	09/21/05			sheet		
sheet index	revision sheet	A	A	A	A	A			1 of 4		
		1	2	3	4						

Pro/E

PDM: Rev: A

STAT **Released**

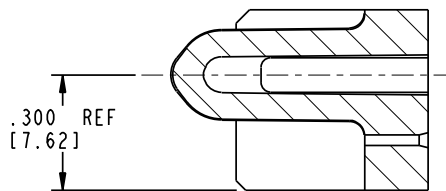
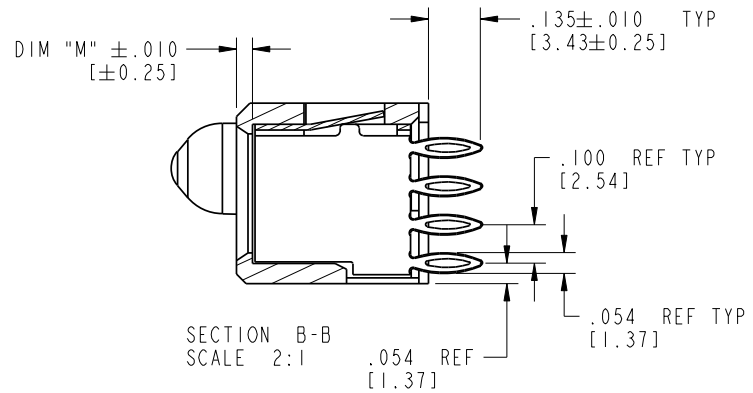
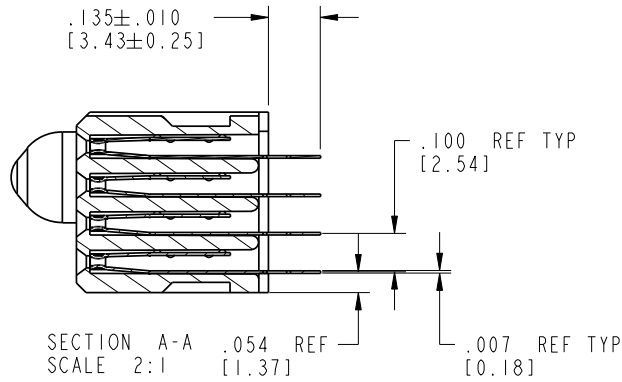
Printed: Dec 20, 2010

Tous droits strictement réservés. Reproduction ou communication a des tiers interdite sous quelque forme que ce soit sans autorisation écrite du propriétaire. Propriété de c FCI. Droits de reproduction FCI.

All rights strictly reserved. Reproduction or issue to third parties in any form whatever is not permitted without written authority from the proprietor. Property of FCI. Copyright FCI.

A
FCI

PRODUCT NUMBER
51940-168 --
NOTE: 3



mat'l code		SEE NOTE 2		tolerances unless otherwise specified		CUSTOMER		 www.fciconnect.com	
lir	ecn no.	dr	date	linear	.XX±.01/0.X±0.3	projection	title		
A					.XX±.005/0.XX±0.13		IP + 16S + IP		
				angles	.XXX±.0020/0.XXX±0.051		VERTICAL PF RECEPT		
				dr	JM Guo 09/21/05	INCH/MM	product family	PwrBlade	code
				enr	STEVEN WANG 09/21/05	scale	size	dwg no	213
				chr	VICTOR LIN 09/21/05	1:1	A	51940-168	sheet
				appd	JOSEPH HSIA 09/21/05				2 of 4
sheet index	revision sheet								

Pro/E

PDM: Rev: A

STAT: **Released**

Printed: Dec 20, 2010

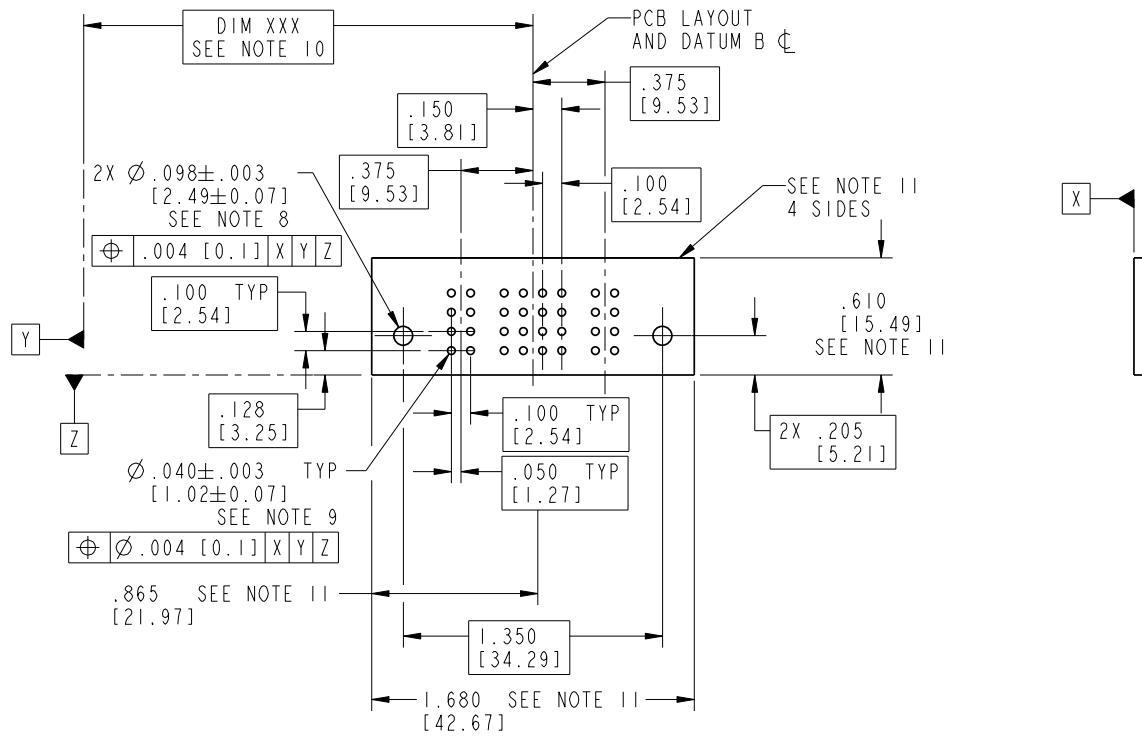
Tous droits strictement réservés. Reproduction ou communication o des liers interdite sous quelque forme que ce soit sans autorisation écrite du propriétaire. Propriete de c FCI. Droits de reproduction FCI.

All rights strictly reserved. Reproduction or issue to third parties in any form whatever is not permitted without written authority from the proprietor. Property of FCI. Copyright FCI.



PRODUCT NUMBER

51940-168 --
NOTE: 3



mat'l code		SEE NOTE 2		tolerances unless otherwise specified		CUSTOMER		 www.fciconnect.com	
lir	ecn no.	dr	date	linear	.XX±.01/0.X±0.3	COPY		title	
A				angles	.XX±.005/0.XX±0.13	projection		IP + 16S + IP	
				dr	.XXX±.0020/0.XXX±0.051	 INCH/MM		VERTICAL PF RECEPT	
				enr	JM Guo 09/21/05	scale		product family	code
				chr	STEVEN WANG 09/21/05	1:1		PwrBlade	213
				appd	VICTOR LIN 09/21/05	size		dwg no	sheet
					JOSEPH HSIA 09/21/05	A		51940-168	3 of 4
sheet index	revision sheet								

Pro/E

PDM: Rev: A

STAT: 28556

Printed: Dec 20, 2010

PRODUCT NUMBER

51940-168 --
NOTE: 3

NOTES:

1. DIMENSIONS AND TOLERANCES ARE IN ACCORDANCE WITH ASME Y14.5M, 1994 UNLESS OTHERWISE SPECIFIED.

CONNECTOR NOTES:

2 HOUSING MATERIAL: UL 94 V-0 GLASS FILLED

HIGH-TEMP THERMOPLASTIC
POWER CONTACT MATERIAL: COPPER ALLOY
SIGNAL PIN MATERIAL: COPPER ALLOY

3. PLATING:

51940-168 Singal Pin:30u"/0.76um Au OVER 50u"/1.27um Ni ON THE CONTACT AREA
AND 100u"/2.54um SnPb PLATING OVER 50u"/1.27um Ni ON THE TERMINATION SECTION.
Power Pin:30u"/0.76um Au OVER 50u"/1.27um Ni ON THE CONTACT AREA,
AND 100u"/2.54um SnPb PLATING OVER 50u"/1.27um Ni ON THE TERMINATION SECTION.

51940-168 LF Singal Pin:30u"/0.76um Au OVER 50u"/1.27um Ni ON THE CONTACT AREA
AND 78u"/2.00um Sn PLATING OVER 50u"/1.27um Ni ON THE TERMINATION SECTION.
Power Pin:30u"/0.76um Au OVER 50u"/1.27um Ni ON THE CONTACT AREA,
AND 78u"/2.00um Sn PLATING OVER 50u"/1.27um Ni ON THE TERMINATION SECTION.

PART NUMBER 51940-168 LF MEETS EUROPEAN UNION DIRECTIVE AND OTHER COUNTRY REGULATIONS AS DESCRIBED IN GS-22-008.
THE HOUSING WILL WITHSTAND EXPOSURE TO 260° PEAK TEMPERATURE FOR 10 SECONDS IN A WAVE SOLDER APPLICATION WITH A CIRCUIT BOARD.

4 MANUFACTURER'S NAME, P/N, AND DATE CODE TO APPEAR ON THIS SURFACE.

5. PRODUCT SPECIFICATION GS-12-149.
APPLICATION SPECIFICATION BUS-20-067.

6. PACKAGED IN TRAYS.

PCB NOTES:


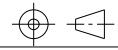
7. ALL HOLE DIAMETERS ARE FINISHED HOLE SIZE.

8 MOUNTING HOLES, WHERE APPLICABLE, ARE UNPLATED.

9 $\varnothing .0453 \pm .0010$ [1.151 \pm 0.025] DRILLED HOLES PLATED WITH .0003 [0.008] MIN SnPb OVER .001 [0.03] TO .003 [0.08] Cu PLATING TO ACHIEVE $\varnothing .040 \pm .003$ [1.02 \pm .07] HOLE.

10 "DIM XXX" TO BE DETERMINED BY THE CUSTOMER.

11 CONNECTOR KEEP-OUT ZONE.

mat'l code				SEE NOTE 2		tolerances unless otherwise specified		CUSTOMER		 www.fciconnect.com	
lir	ecr no.	dr	date	linear	.XX±.01/0.X±0.3		projection	COPY		title	
A					.XXX±.005/0.XX±0.13				IP + 16S + IP		VERTICAL PF RECEPT
				angles	.XXX±.0020/0.XXX±0.051		INCH/MM		product family		code
					0° ± 2°			scale	PwrBlade		213
				dr	JM Guo	09/21/05	1:1		size		sheet
				enrg	STEVEN WANG	09/21/05		A		4 of 4	
				chr	VICTOR LIN	09/21/05		51940-168			
				appd	JOSEPH HSIA	09/21/05					
sheet index		revision sheet									

Tous droits strictement reserves. Reproduction ou communication a des tiers interdite sous quelque forme que ce soit sans autorisation ecrite du proprietaire. Propriete de c FCI. Droits de reproduction FCI.

FCI

All rights strictly reserved. Reproduction or issue to third parties in any form whatever is not permitted without written authority from the proprietor. Property of FCI. Copyright FCI.

A

A

B

B