

DRAWING REVISIONS			
REV	DOCUMENT	APP	DATE
A	RELEASE TO PRODUCTION D.O. #01-1406	AC	11/16/01
B	REF P/N INCORRECT PER ECN #03A498		

NOTES

- ALL DIMENSIONS IN [] ARE IN MILLIMETERS.
- .650 [16.51] TO BE MEASURED AT THE CENTER OF WIDTH OF CONNECTOR.
- TERMINAL BLADE MATERIAL: BRASS WITH TIN-LEAD OVER NICKEL PLATING.
- SOLDERABILITY MEETS USCAR 5.4.1.
- MATES WITH CINCH PUSH-TO-SEAT HARNESS CONNECTOR (SEE SHT. 2)
- STANDARD CELL PACK, QUANTITY 75 PIECES.
- RECOMMENDED TORQUE: JACKSCREW 15-20 IN-LBS [1.7-2.3Nm]
 PANEL SCREW 8.5±0.5 IN-LBS [0.9±0.1 Nm]
 PCB RETENTION SCREW 2-3 IN-LBS [0.23-0.34 Nm]

UNITS	ENGLISH	PRO/E	Cinch		1700 FINLEY RD LOMBARD, IL. 60148
DO NOT SCALE DRAWING	DRAWN BY J. TOBACK	DATE 11/16/01	TITLE CONNECTOR ASSEMBLY, RECEPTACLE 30 POSITION (WITHOUT FERRITES)		
	DESIGN ENGINEER J. TOBACK	11/16/01	MATERIAL		CONTROL SPEC NUMBER
	DESIGN ENGINEERING MGR. A. CAINES	11/16/01	MATERIAL SPEC NUMBER	FINISH	PROJECT NUMBER CI3841
THIS DOCUMENT IS THE PROPERTY OF CINCH. NEITHER THIS DOCUMENT NOR ANY OF THE INFORMATION CONTAINED IN IT MAY BE DUPLICATED OR DISCLOSED WITHOUT PRIOR WRITTEN CONSENT OF CINCH.	MFG. ENGINEERING P. WALTHALL	12/06/01	CAD FILE NUMBER 5810130011S	DRAWING NUMBER 581 01 30 011S	
	QUALITY ASSURANCE T. SHAH	12/06/01	CAGE IDENT NO. SIZE 71785 B	SCALE 1.000	SHEET 1 OF 2

8

7

6

5

4

3

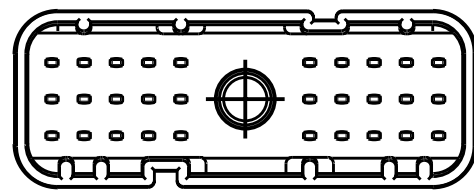
2

1

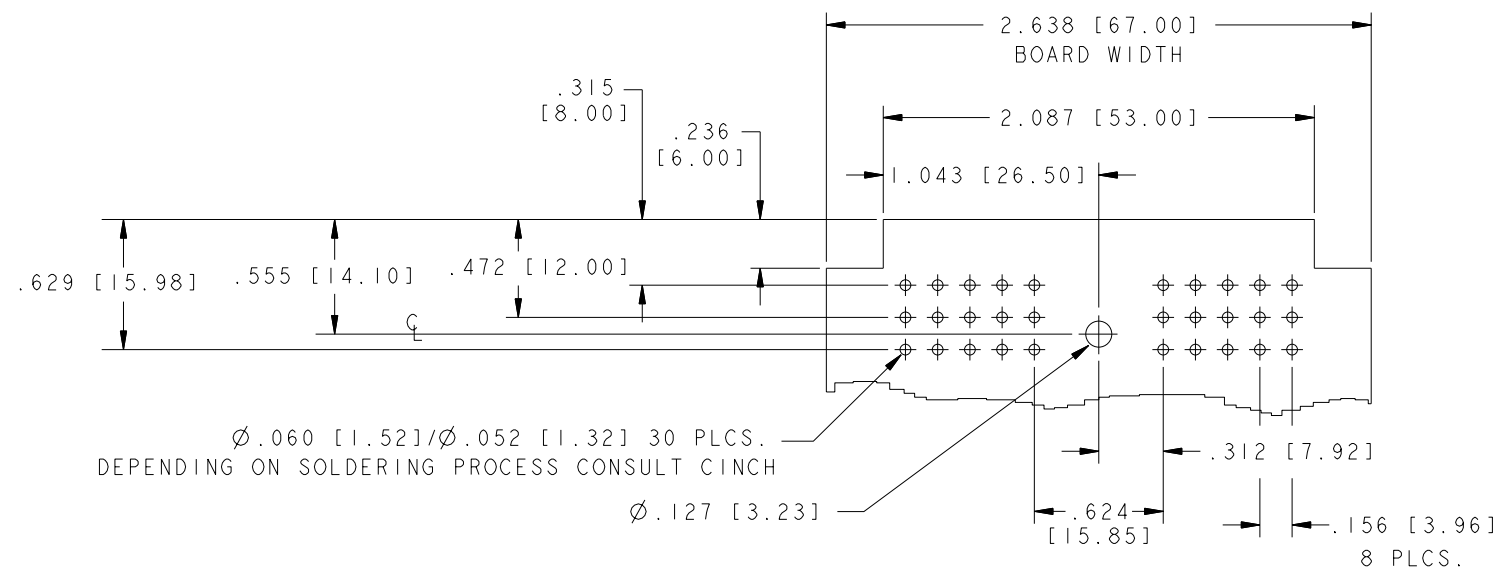
D

D

581 01 30 011 (GRAY)



POLARIZATION "A"

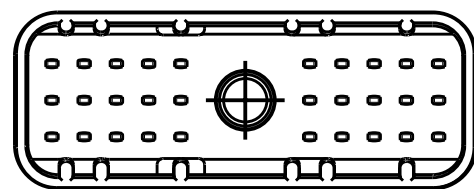


RECOMMENDED PC BOARD LAYOUT

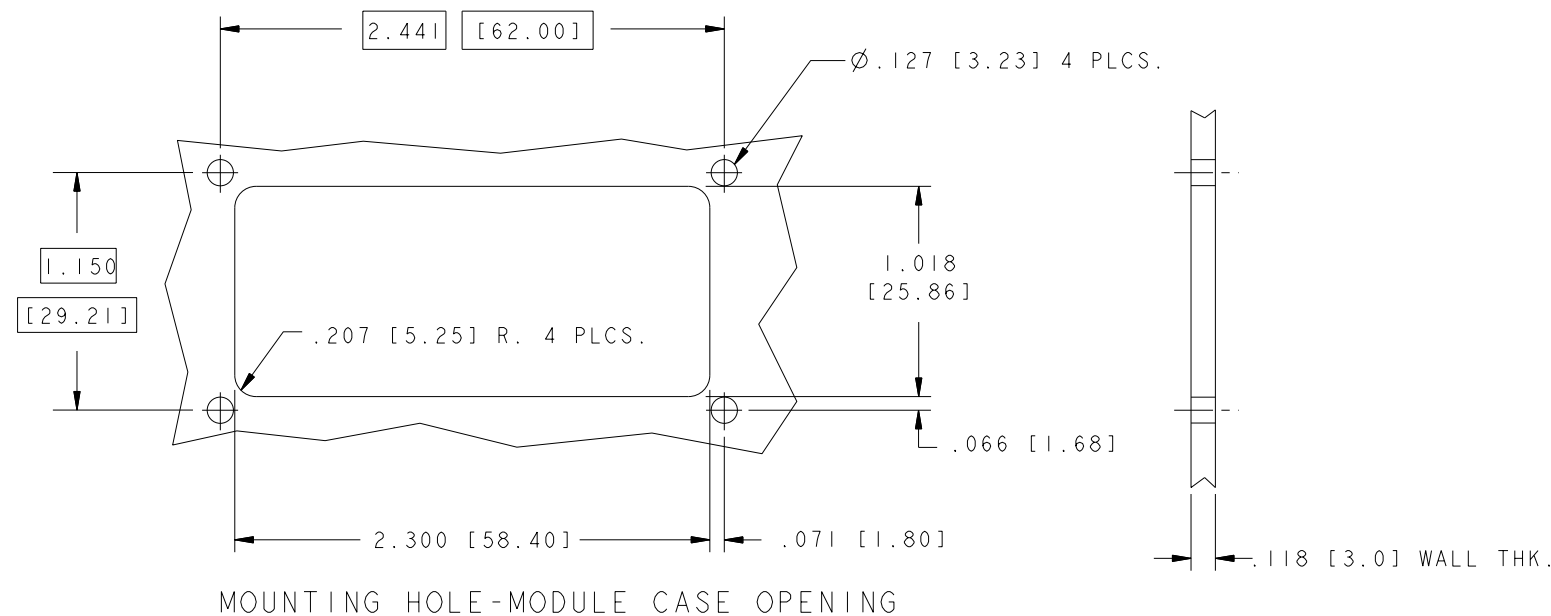
C

C

581 01 30 013 (BLACK)



POLARIZATION "B"



MOUNTING HOLE-MODULE CASE OPENING

B

B

A

8

7

6

5

4

3

2

1

UNITS	ENGLISH		Cinch		1700 FINLEY RD LOMBARD, IL. 60148
DO NOT SCALE DRAWING			TITLE		
			CONNECTOR ASSEMBLY, RECEPTACLE 30 POSITION (WITHOUT FERRITES)		
			PRO/E DRAWING		
CAD FILE NUMBER		DRAWING NUMBER		REV	
5810130011S		581 01 30 011S		B	
CAGE IDENT NO. SIZE		SCALE		SHEET 2 OF 2	
71785 B		1.000			
THIS DOCUMENT IS THE PROPERTY OF CINCH. NEITHER THIS DOCUMENT NOR ANY OF THE INFORMATION CONTAINED IN IT MAY BE DUPLICATED OR DISCLOSED WITHOUT PRIOR WRITTEN CONSENT OF CINCH.					