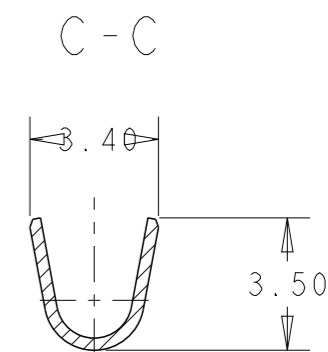
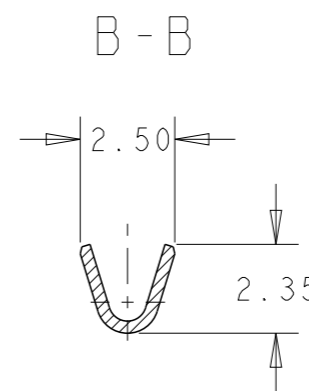
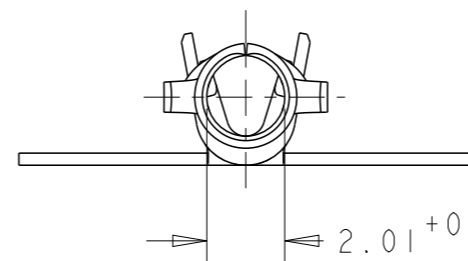
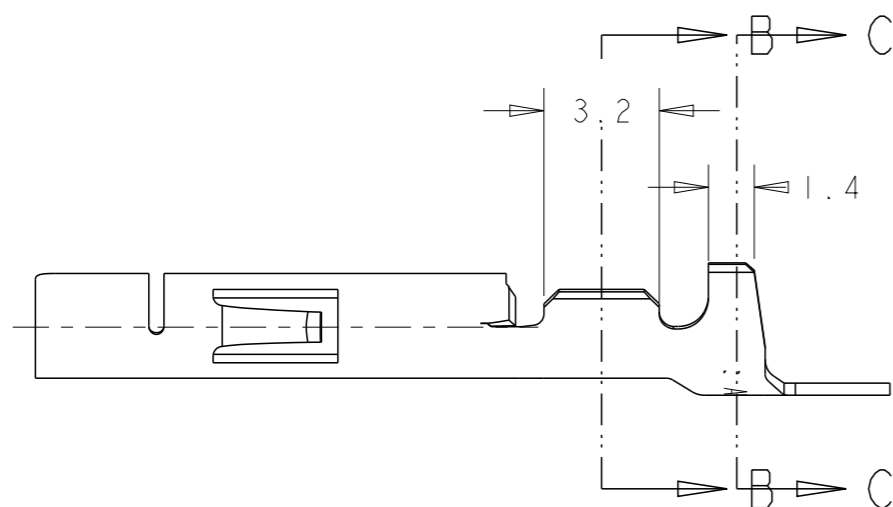


LOC
AL

DIST
2

REVISIONS

P	LTR	DESCRIPTION	DATE	DWN	APVD
	J2	ECR-11-005629	17AUG2011	C. J	R. P
	J3	ECR-12-015397	17SEP2012	MGT	R. P

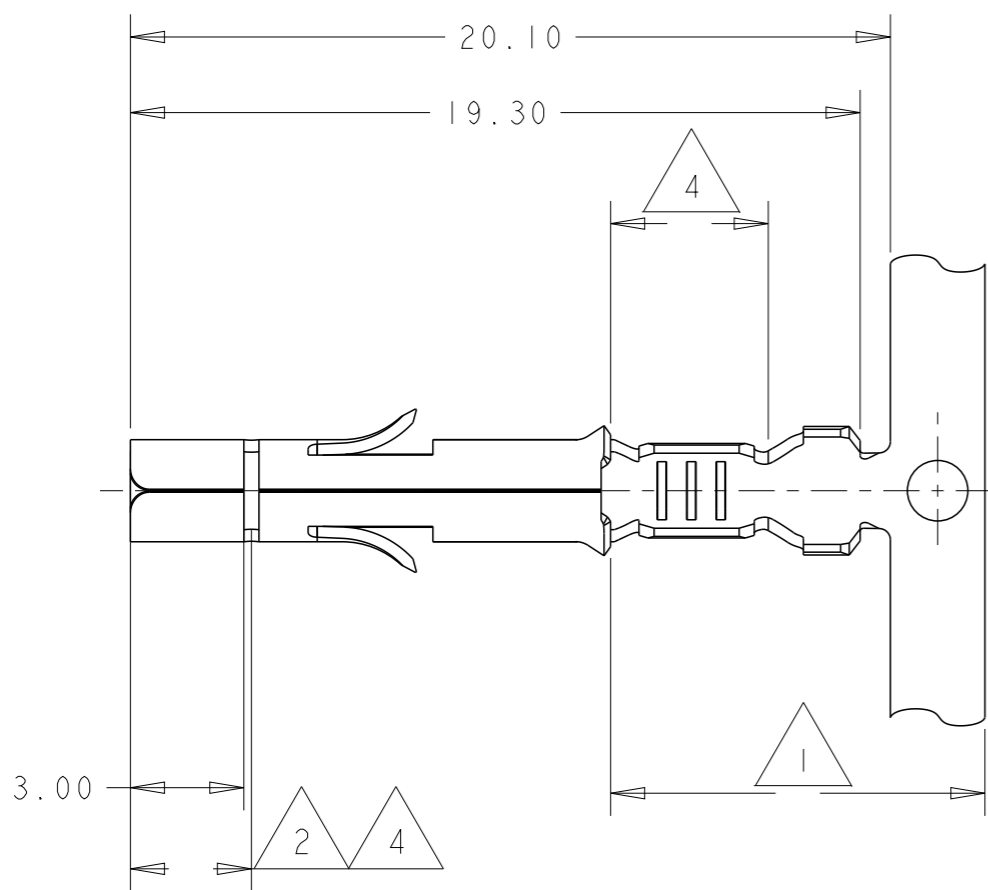



NOTES:

Bemerkungen:

- 1 2-6µm Sn OVER Ni IN CRIMP-AREA
2-6µm Sn über Ni in der Crimpzone
- 2 0.8µm Au OVER Ni IN CONTACT-AREA
0.8µm Au über Ni in der Kontaktzone
- 3 SUITABLE FOR Ø1.0-2.5mm
Für Isolations Ø1.0-2.5mm geeignet
- 4 0.8µm Au OVER 1.3µm Ni ON INSIDE OF WIRE BARREL AND CONTACT AREA
0.8µm Au über 1.3µm Ni in der Drahtcrimp und Kontaktzonen, sonst 1.3µm Ni

LOOSE PIECE	PART NO.	MATERIAL	FINISH
Superseded by 350851-7	926895-7	926884-7 CuZn30	1 2
	926895-6	926884-6 CuSn4	1 2
	926895-3	926884-3 CuSn4	PRE-TIN
OBSOLETE	926895-2	926884-2 CuZn30	4
	926895-1	926884-1 CuZn30	PRE-TIN



THIS DRAWING IS A CONTROLLED DOCUMENT.		DWN J. Skoda 07NOV2005	 TE Connectivity	
DIMENSIONS: mm		CHK R. Vlcek		
TOLERANCES UNLESS OTHERWISE SPECIFIED:		APVD -	UNIVERSAL MNL SOCKET 0.2-0.8 mm ² WIRE RANGE	
0 PLC ±0.2		PRODUCT SPEC 108-1031	SIZE	RESTRICTED TO
1 PLC ±0.2		APPLICATION SPEC 114-18011	CAGE CODE	
2 PLC ±0.2		WEIGHT -	DRAWING NO	
3 PLC ±		CUSTOMER DRAWING	A300779	
4 PLC ±		SCALE	C=926884	
ANGLES ±°		SHEET	1	
FINISH SEE TABLE		OF	1	
		REV	J3	