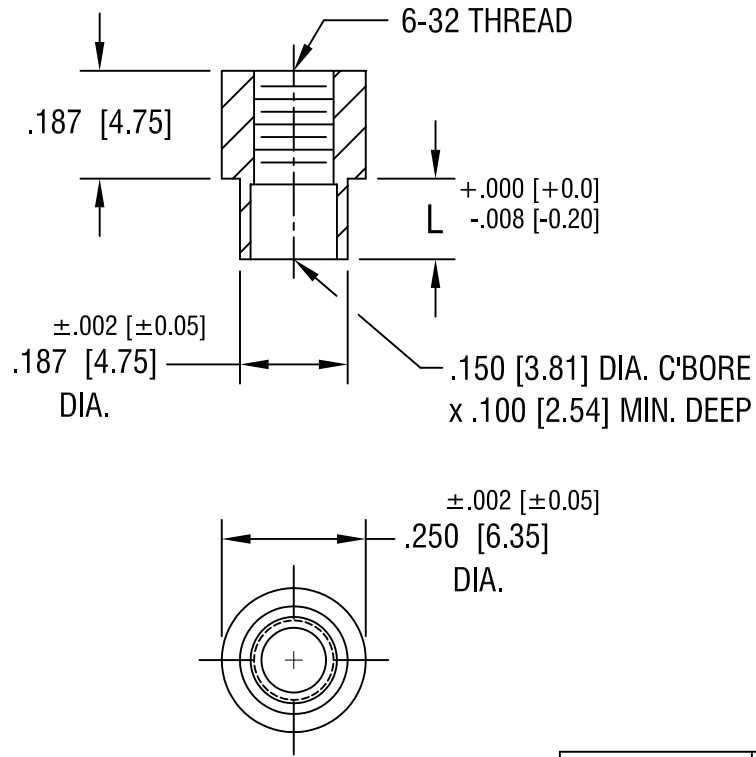


THIS DOCUMENT IS THE PROPERTY OF
KEYSTONE ELECTRONICS CORP. AND
SHALL NOT BE REPRODUCED, DISTRIBUTED
OR USED AS A BASIS FOR MANUFACTURE
WITHOUT PRIOR WRITTEN PERMISSION
FROM KEYSTONE ELECTRONICS CORP.



PART NO.	'L' DIM.
1612-2	.109 [2.77]
1612-3	.140 [3.56]
1612-4	.171 [4.34]

KEYSTONE ELECTRONICS CORP.

ASTORIA, N.Y. 11105-2017

PART NAME

SWAGE THREADED STANDOFF

MATERIAL

BRASS

FINISH

DUCTILE
NICKEL PLATE

DRN BY

BOONE

DATE

5.14.02

APPD

LN

SCALE

3X

TOLERANCES

INCH [MM]

DECIMAL ±.005 [±0.15]

ANGULAR ± 1°

UNLESS OTHERWISE SPECIFIED

CODE

C/M

DWG NO.

1612-

DATE

DESCRIPTION

REV.