

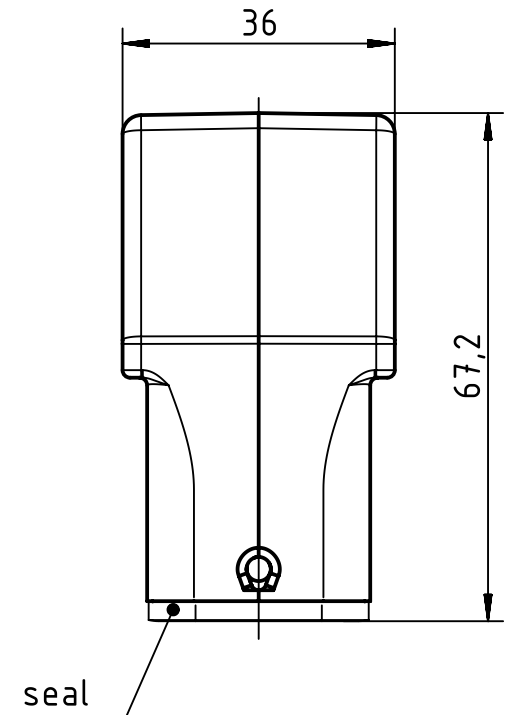
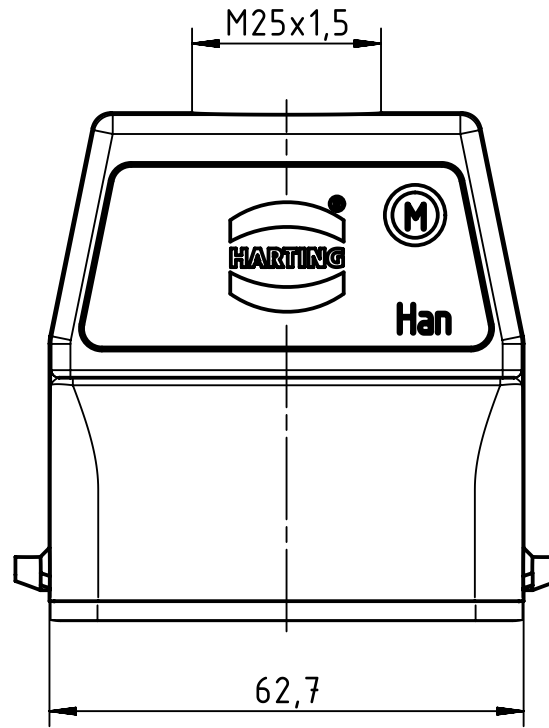
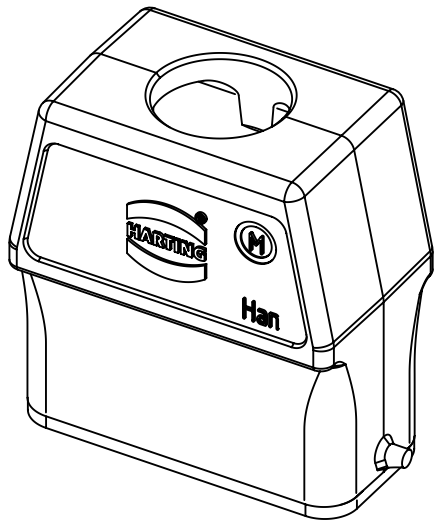
1                      2                      3                      4                      5                      6

A

B

C

D



	All Dimensions in mm Original Size DIN A4	Scale 1:1			Free size tol.		Ref.	
		Created by SCHULZI		Inspected by BERGHORN	Standardisation TIEMANNA	Date 2014-02-26	State Final Release	
	All rights reserved Department EL PD - DE	Title Han A Hood Top Entry HC 2 Pegs M25					Doc-Key / ECM-Nr. 100189433/UGD/004/A 500000071737	
		HARTING Electric GmbH & Co. KG D-32339 Espelkamp		Type TB	Number 19 20 010 0446			Rev. A