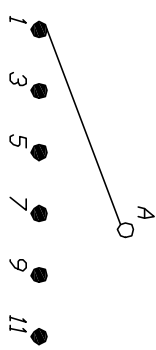
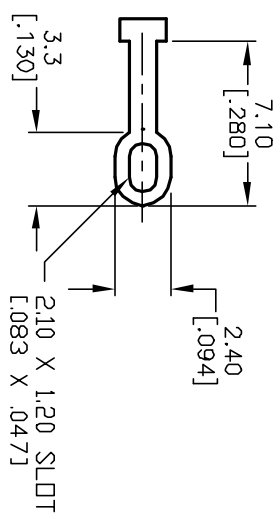


NOTES:

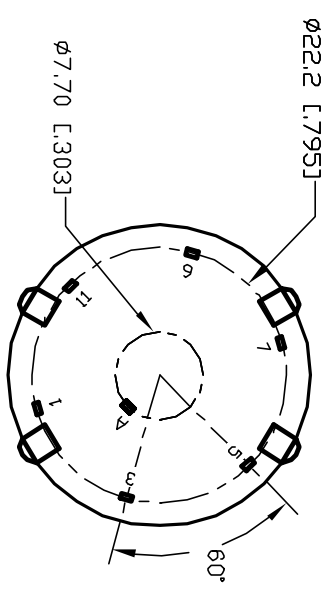
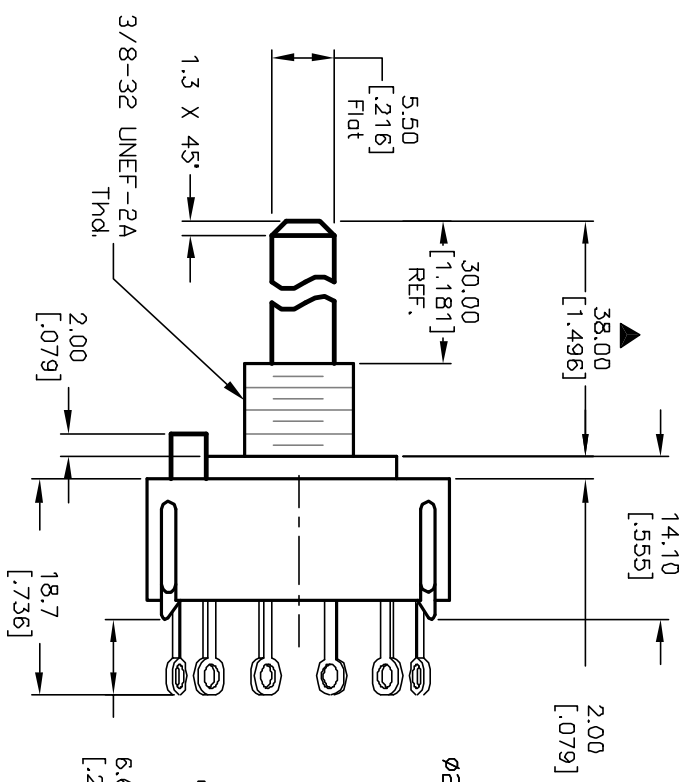
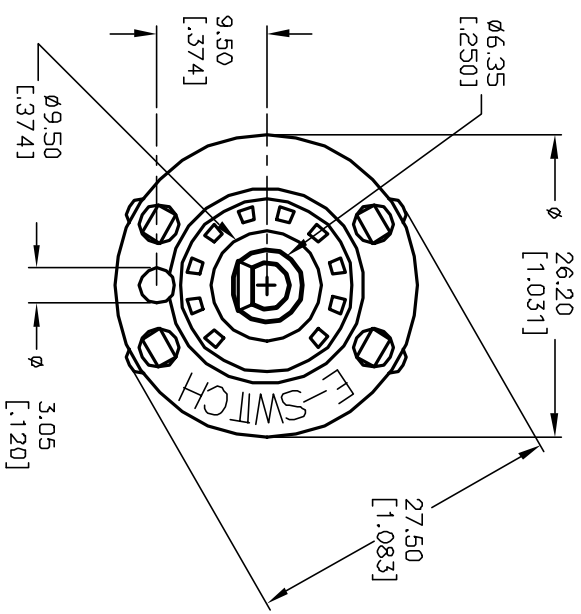
1. ALL DIMENSION IN MM [INCH]
2. GENERAL TOLERANCE: X.X=±0.4
X.XX=±0.25
3. TERM. NOS. FOR REF. ONLY
4. CONTACT RATING SWITCHING: 150mA, 250V AC/DC
350mA, 110V AC/DC
5. CONTACT RATING (NON-SWITCHING) 5A
6. OPERATING FORCE: 425±100 CM/STANDARD
7. OPERATING TEMP: -30° to 85°C
- ▲ 8. CIRCUIT SP: 6 POSITIONS, 60° INDEX.
- ▲ 9. DIELECTRIC STRENGTH 1000V RMS min. @ SEA LEVEL
- ▲ 10. DESIGNATE MAJOR DIMENSIONS
11. SUPPLIED HARDWARE: LOCK NUT AND WASHER (NOT SHOWN).



CONTACT CONFIGURATION
Timing: Non-Shorting



TERMINATION DETAIL
SCALE 2X



B		12616	REV DESC/ PER NEW CATALDG	12/5/02	CJB	TITLE		KC-60-A (30.0mm) 01-N-L-S	
A		11399	RELEASED FOR PRODUCTION	4/9/01	CJB	SCALE		1.5:1	
REV.		ECN No.	DESCRIPTION	DATE	CHKD	DATE		4/9/01	
						DR		CJB	
						DWG		G510596	
						REV		B	

E-SWITCH®

THE INFORMATION CONTAINED IN THIS DOCUMENT IS PROPRIETARY TO E-SWITCH AND IS NOT TO BE COPIED OR TRANSFERRED