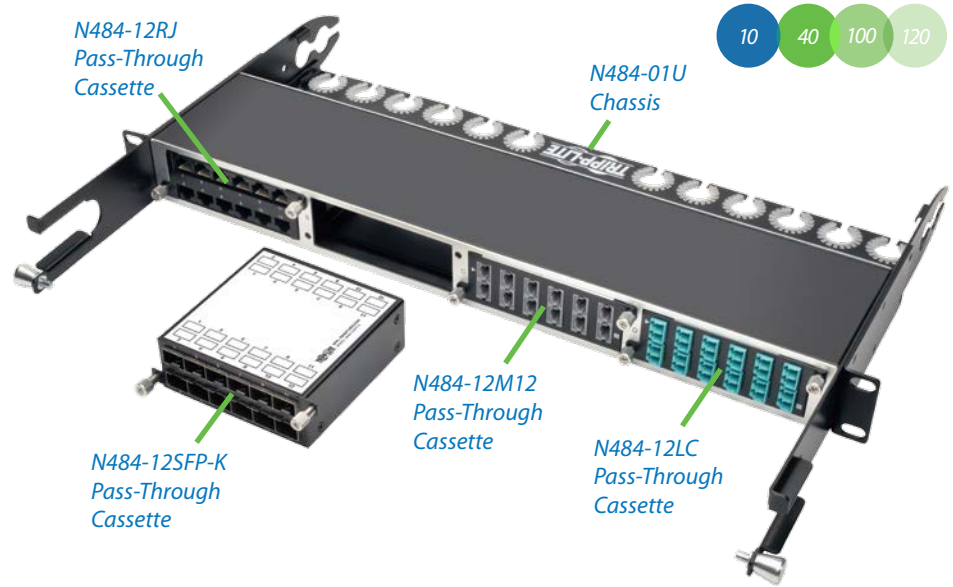


## Overview

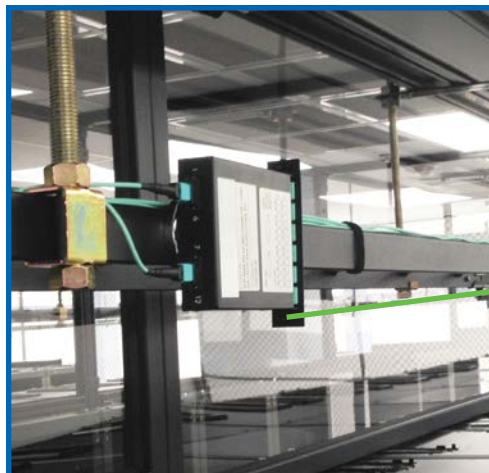
Tripp Lite's new patch panel solutions provide future-proof scalability and density through their modular design. The only solution currently on the market to offer cassettes for both copper and fiber cabling, these high-density copper/fiber cassettes allow a user to interconnect any combination of 10Gb, 40Gb and 100/120Gb network equipment in a simple, elegant and highly flexible way. This line of cassettes and chassis expands Tripp Lite's solutions to support a wide range of applications and protocols in high-density telecom and data center environments.

By using pre-terminated cassettes compatible with off-the-shelf cabling, there is no need for costly, hard-to-manage custom breakout cables. With Tripp Lite's modular cassette solution, all cabling and components are standard, off-the-shelf and readily available. The easy-to-use cassettes insert into a 0U or 1U enclosure panel for an interconnected copper and fiber infrastructure, allowing a large number of connections to be made in a small space. When changes to network equipment occur, the design can be modified or upgraded simply by swapping out or adding cassettes to suit the user's needs.



## Highlights

- Interconnect any combination of 10Gb, 40Gb and 100/120Gb network equipment
- Work with both copper and fiber installations
- Interchangeable cassettes between 0U sleeve and 1U enclosure panel (note: N484-00U does not support N484-12SFP-K)
- 1U enclosure panel is uniquely designed for both front- and rear-mounting capabilities with easy-access cable management
- Support both single-mode and multi-mode applications
- 0U sleeve supports installations without existing rack infrastructure or where a rack cannot be accommodated



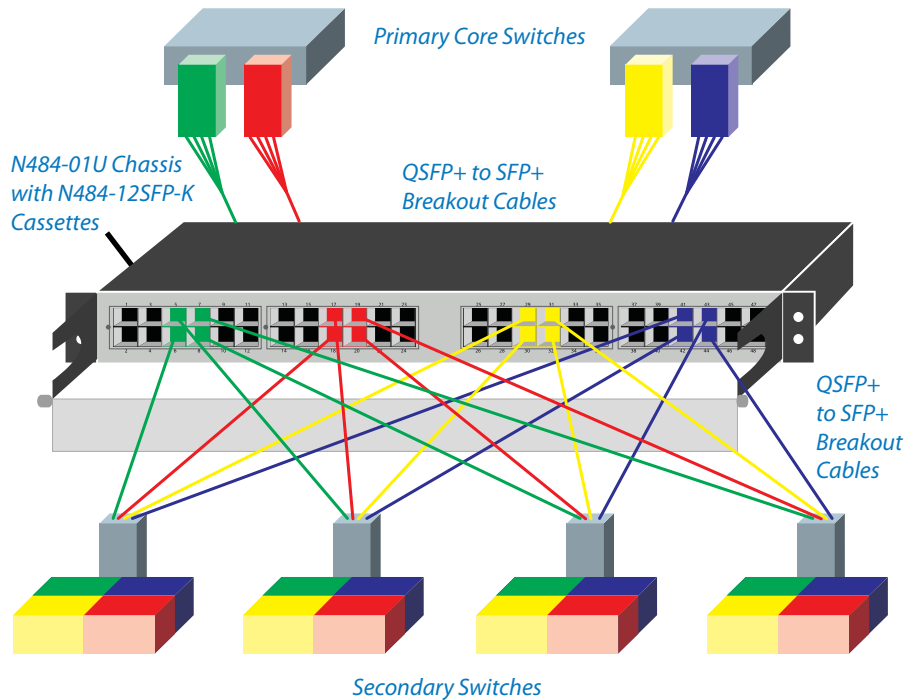
N484-00U  
1-Cassette Sleeve

The N484-00U 1-Cassette Sleeve features a unique 0U design using magnets to allow you to mount a single high-density copper/fiber cassette to the metal surface of any rack enclosure, cable manager or other structure.

# Modular Copper/Fiber Patch Panel Solutions

## Simple, Cost-Effective Redundancy Using Tripp Lite's All-in-One N484-12SFP-K Cassette/Cable Solution

- Lower power consumption and heat emission
- Lower latency
- Lower cost
- Zero-code solution



## N484-Series Product Selection

Model Number	Description
N484-00U	High-Density Copper/Fiber Cassette Sleeve, 0U, 1-Cassette Capacity
N484-01U	High-Density Copper/Fiber Cassette Sleeve, 1U, 4-Cassette Capacity
N484-12LC	10GbE Pass-Through Cassette, (x12) LC Duplex
N484-12M12	40Gb Pass-Through Cassette, (x12) 12-Fiber MTP/MPO
N484-12M24	100Gb Pass-Through Cassette, (x12) 24-Fiber MTP/MPO
N484-12RJ	Cat5e/6 Pass-Through Cassette, (x12) RJ45
N484-12SFP-K	12-Port SFP+ 10GbE Pass-Through Cassette with 6 QSFP+ to 4xSFP+ Breakout Cables
N484-1M24-LC12	100Gb/120Gb to 10Gb Breakout Cassette, 24-Fiber OM4 MTP/MPO to (x12) LC Duplex
N484-2M12-LC12	40Gb to 10 Gb Breakout Cassette, (x2) 12-Fiber OM4 MTP/MPO to (x12) LC Duplex
N484-2M24-6M12	100Gb/120Gb to 40Gb Breakout Cassette, (x2) 24-Fiber MTP/MPO to (x6) 12-Fiber MTP/MPO
N484-3M8-LC12	40Gb to 10Gb Breakout Cassette, (x3) 8-Fiber OM4 MTP/MPO to (x12) LC Duplex

Learn more about integrating fiber and copper infrastructure to future-proof your network.

Access our free White Paper



1111 West 35th Street | Chicago, IL 60609 | 773.869.1773