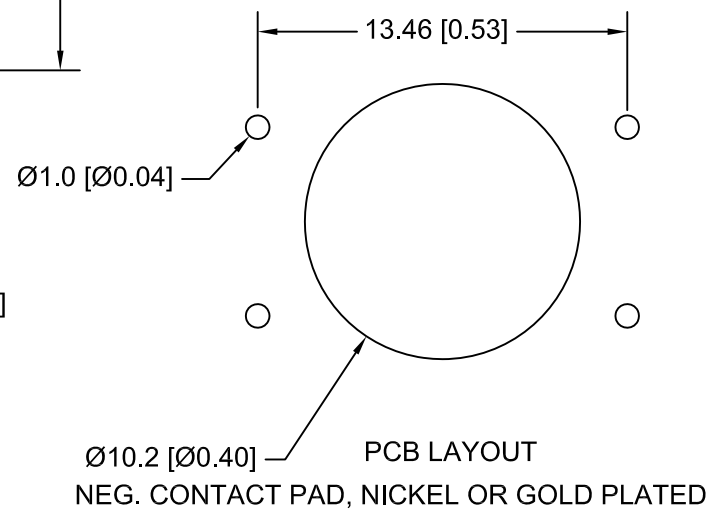
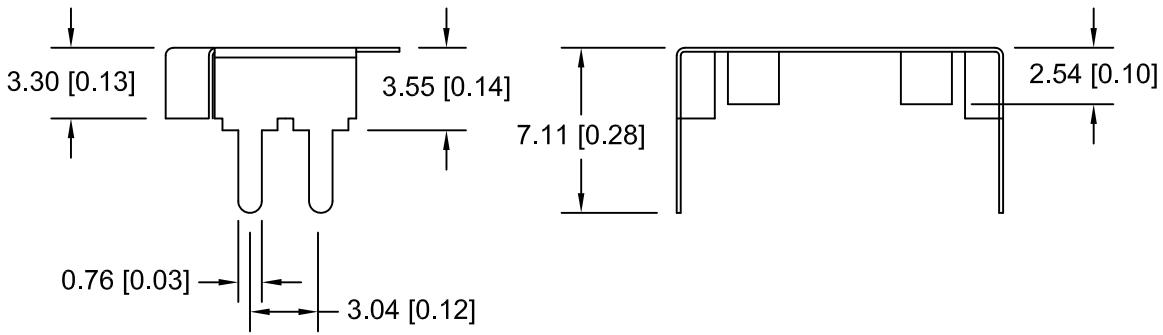
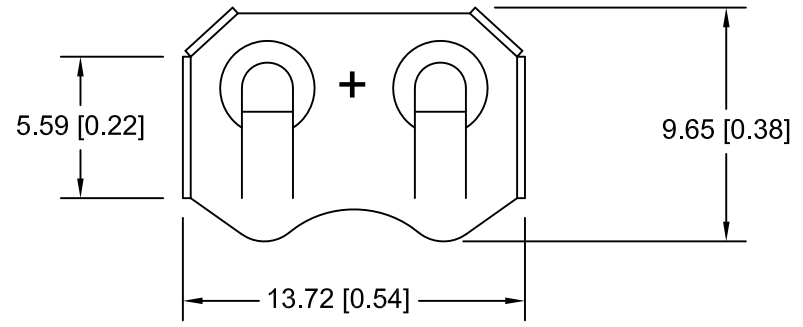



Date	SYM	REVISION RECORD	AUTH	DR.	CK.



**NOTES:**

- MATERIAL:  
0.25mm PHOSPHOR BRONZE, NICKEL PLATED OVERALL.  
ROHS 2 COMPLIANT  
TEMPERATURE RANGE: -40°C TO +270°C  
\* VIBRATION TEST: 10-50-10 HZ SWEEPED IN 60 SECONDS  
X,Y,Z DIRECTION: 1 HOUR EACH DIRECTION  
\* RESULT: NO DISLODGE MENT OF THE CELL OR DAMAGE  
NO DISCONTINUITY OVER 10 MICRO-SECONDS  
\* SHOCK TEST: HALF SINE WAVE ACCELERATION 150G.  
6 MILLISECOND S  
3 SHOCK PULSES EACH DIRECTION PER  
AXIS, TOTAL OF 18 PULSES  
\* RESULT: NO EVIDENCE OF PHYSICAL DAMAGE

Tolerance (Except as noted)	 <b>Memory Protection Devices, Inc</b> 200 Broad Hollow Road, Farmingdale, New York 11735	Scale	Drawn By B.S.
			Approved By T.B.
decimal ±.1 (.004)	Title CR1216,1220,1225 BATTERY RETAINER WITH PC PINS		
Fractional ± .2 (.008)		Date 06/03/16	Drawing Number BK-917
Angular ± 1°			