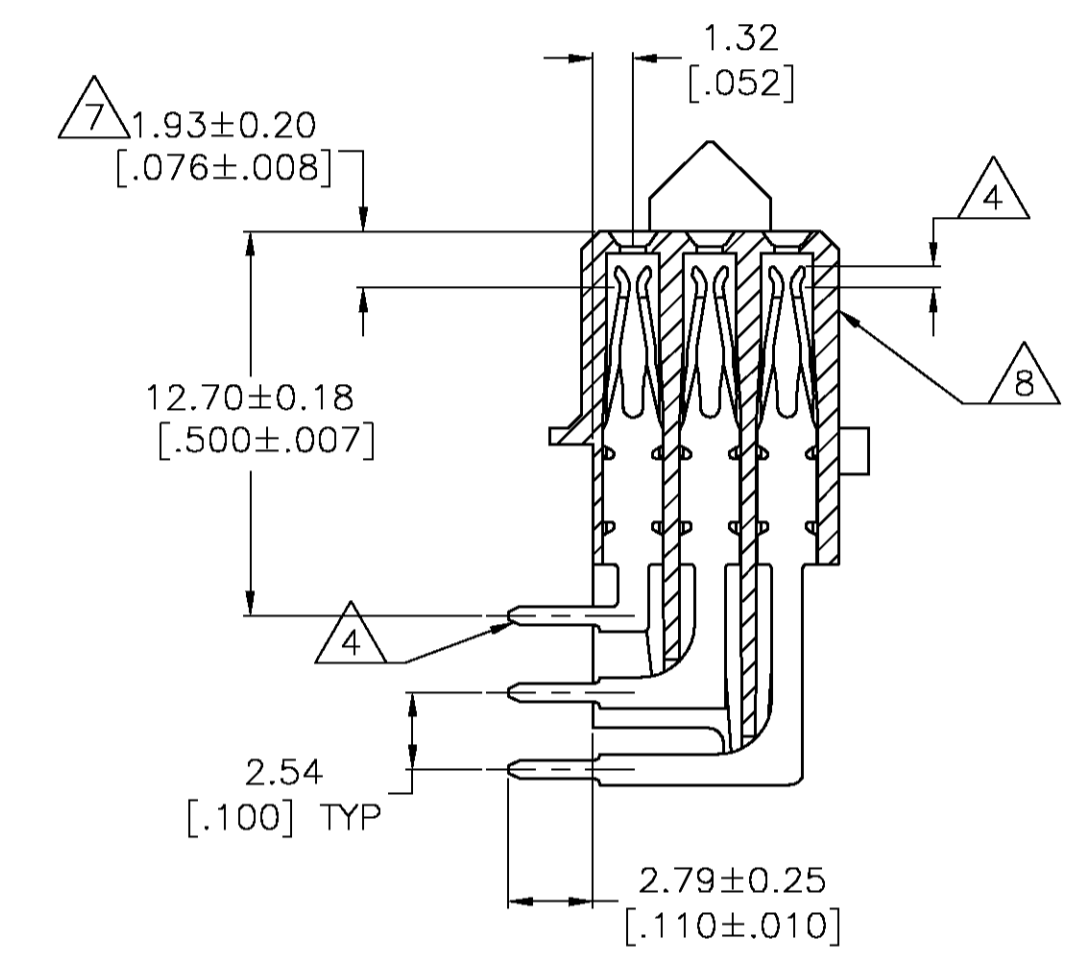
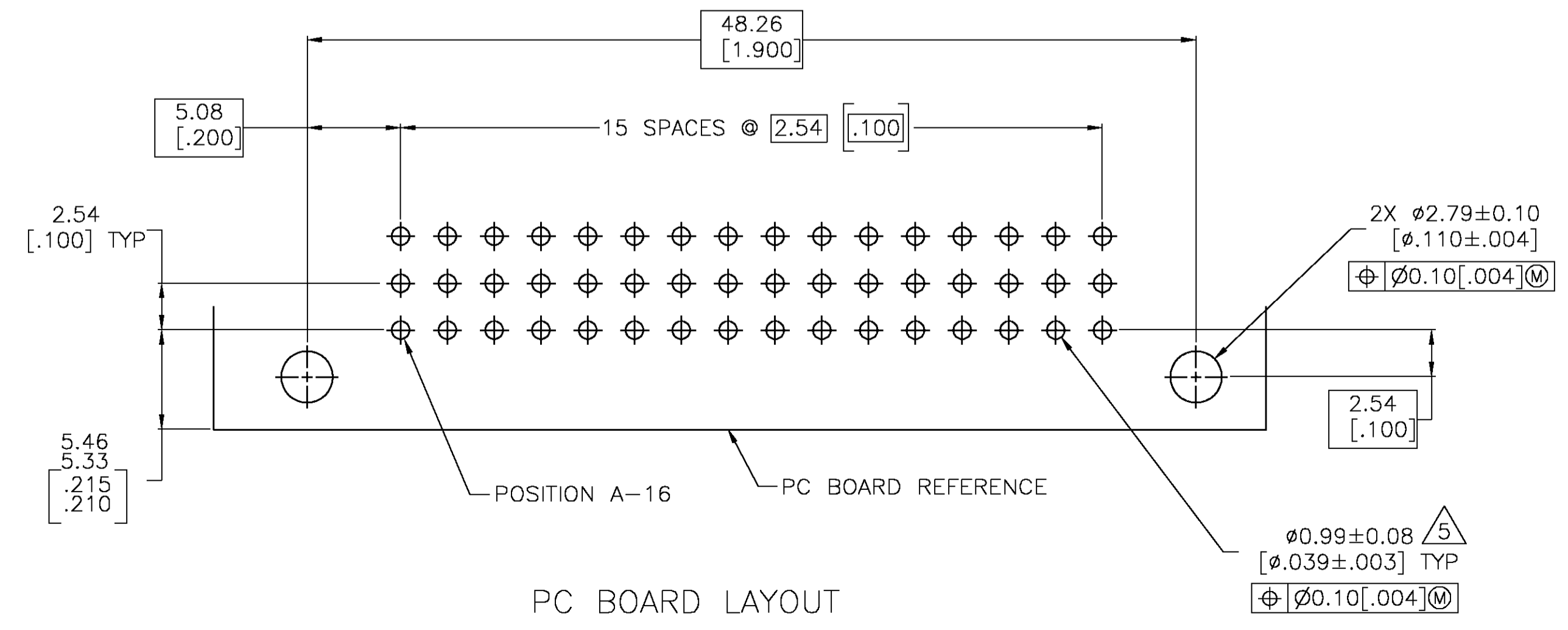
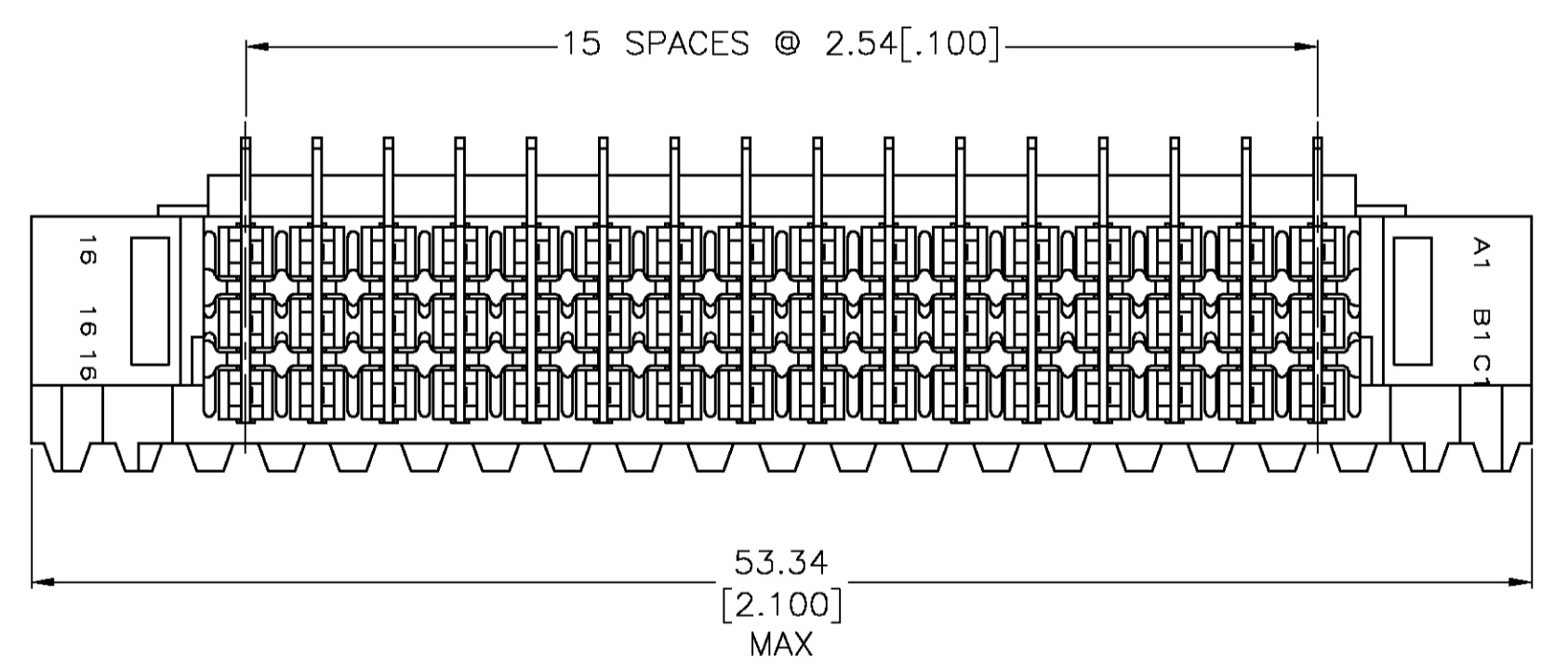


1. DIMENSIONS IN BRACKETS ARE IN INCHES.
- △ HOUSING MATERIAL: THERMOPLASTIC.
- △ CONTACT MATERIAL: PHOSPHOR BRONZE.
- △ CONTACT FINISH: DIN 41612 CLASS 2 IN CONTACT AREA. TIN PLATE ON POSTS.
- △ RECOMMENDED HOLE SIZE FOR MANUAL APPLICATION OF CONNECTOR ONTO PC BOARD.
- △ PART NUMBER, DATE CODE IDENTIFICATION, CSA LOGO LOCATED THIS APPROXIMATE AREA.
- △ CONTACT POINT.
- △ PART MARKING ON THIS SIDE.



SECTION Y-Y



PC BOARD LAYOUT

5148098-5  
PART NUMBER

THIS DRAWING IS A CONTROLLED DOCUMENT.		DIN 92 MCMASTER 29SEP04	<b>tyco</b> Electronics	Tyco Electronics Corporation Harrisburg, Pa 17105-3608	
DIMENSIONS: mm		CIK A. SHARPE 29SEP04		APVD A. SHARPE 29SEP04	NAME RECEPTACLE ASSEMBLY, EUROCARD, TYPE 1/2R WITH GUIDE FEATURES
TOLERANCES UNLESS OTHERWISE SPECIFIED:		APPLICATION SPEC		SIZE A1	CAGE CODE 00779
0 PLC ± -		RESTRICTED TO		DRAWING NO C=5148098	
1 PLC ± -		WEIGHT -		SCALE 4:1	
2 PLC ± ± 0.13[005]		CUSTOMER DRAWING		SHEET 1 OF 1	
3 PLC ± ± -		MATERIAL HOUSING: △ CONTACT: △		REV 0	
4 PLC ± ± -					
ANGLES ± ± -					
5 ± ± -					