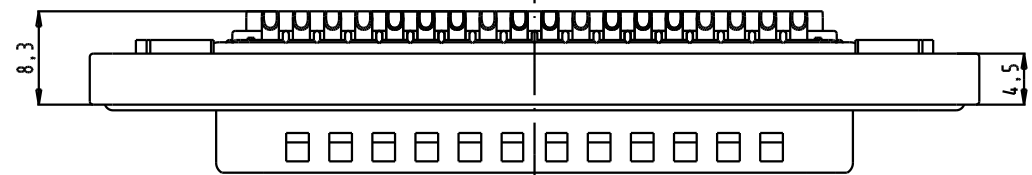
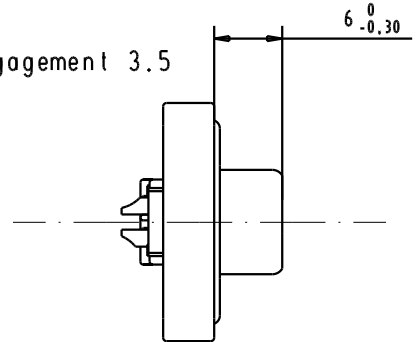
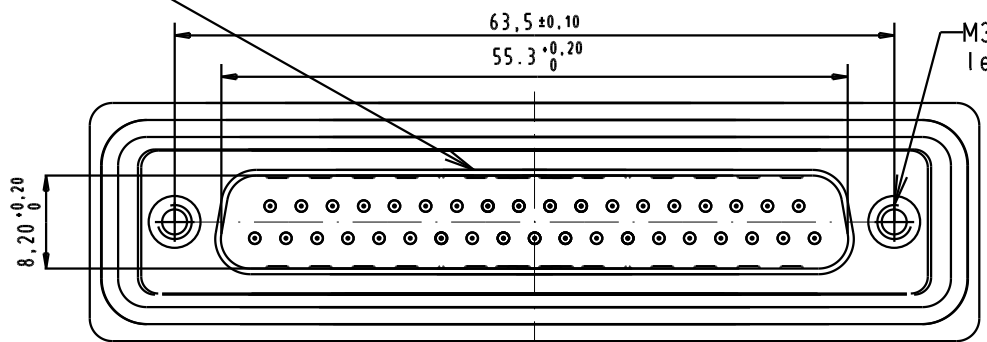
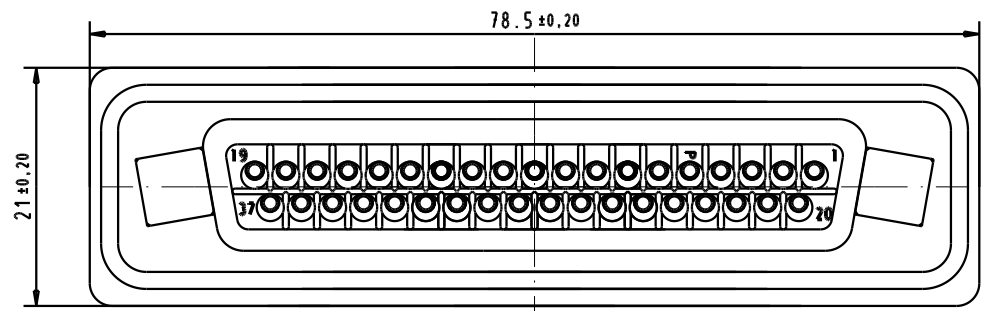


5 4 3 2 1

Mating face according to : MIL-C-24308 / DIN 41652 / CECC 75.01-802



- 1) Protection standard IP 67 according to IEC 529 / DIN 40050.
- 2) cable: AWG 20 max



D  
C  
B  
A

09 67 637 9615	Au plating 0,76 μm mini
Part Number	Performance Level

31587	03/02/04	S.H.
Mod.	Dat.	Name

	Dat.	Name
Detail.	03/02/04	S.H.
Insp.		
Stand.		
HARTING ELEKTRONIK F-95972 Paris		



D-SUB IP67 male 37 Poles straight solder cup with M3 nut with metal frame	
TB 09 67 637 9615	Moßstab/ Scale
Sub.	Blatt/ Page