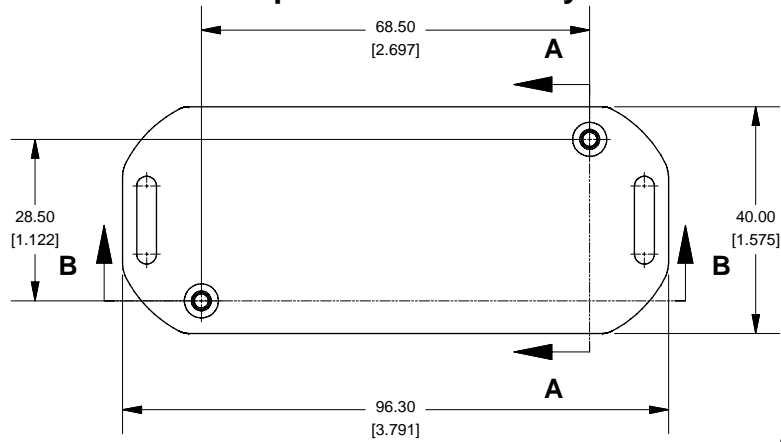
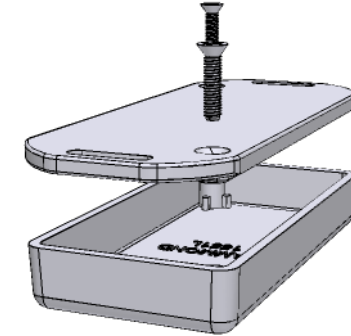
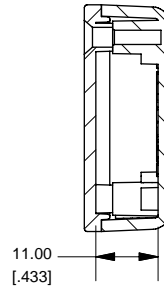


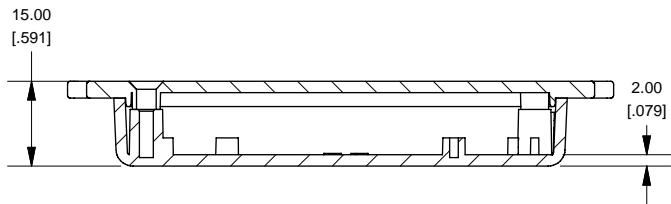
### Top View of Assembly



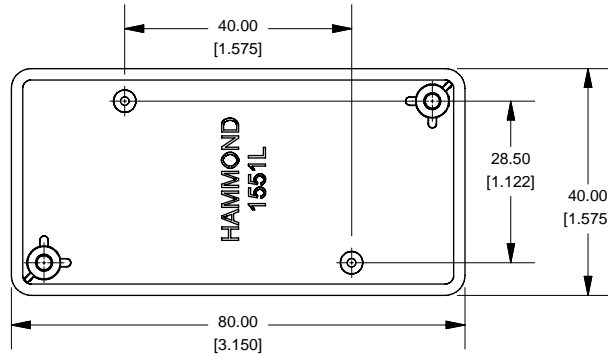
### SECTION A-A End View of Assembly



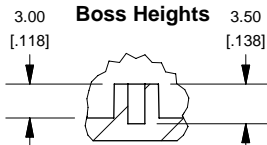
### SECTION B-B Side View of Assembly



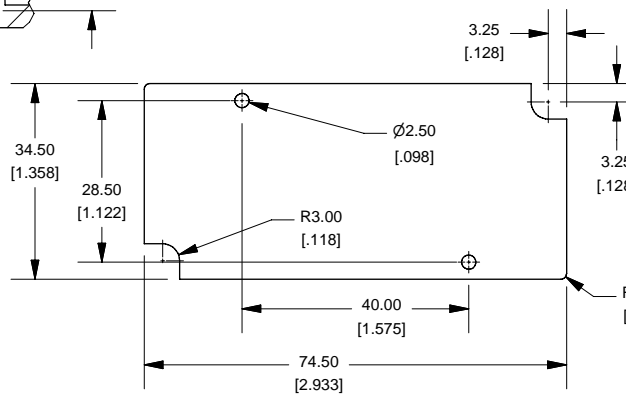
### Top View Looking Inside Box



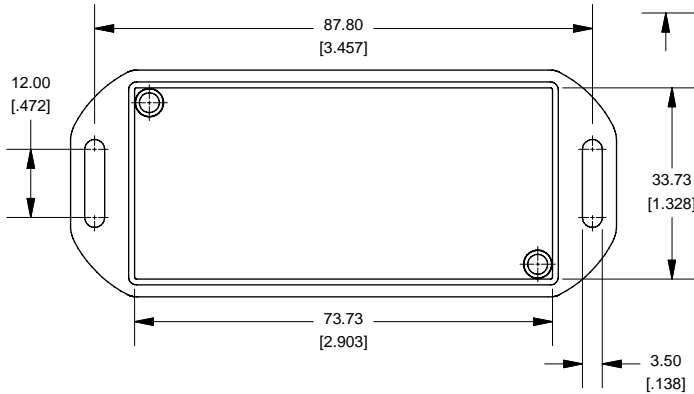
### SECTION C-C Boss Heights



### Maximum P.C. Board Size



### Lid



**NOTE**  
Purchased assembly includes lid and box made from GP ABS material and cover screws.

| 1551LFL   |                |
|---|----------------|
| 1551LFL Enclosure   |                |
| Black Enclosure - RAL 9011 - UL94 - HB                        | 1551LFLBK      |
| Gray Enclosure - RAL 7035 - UL94 - HB                         | 1551LFLGY      |
| Translucent Blue - UL94 - HB                                  | 1551LFLTBU     |
| ACCESSORIES   |                |
| Recommended Screw Torque: 15-20 ozf.in (10-15 cN.m)           |                |
| Black Enclosure Cover Screws (Pkg 100)<br>X 1/2" Self Tapping | #4 1591TS100BK |
| Grey Enclosure Cover Screws (Pkg 100)<br>X 1/2" Self Tapping  | #4 1591TS100   |
| P.C. Board Screws (Pkg 100)<br>#2 x 3/16" Self Tapping        | 1551ATS100     |

