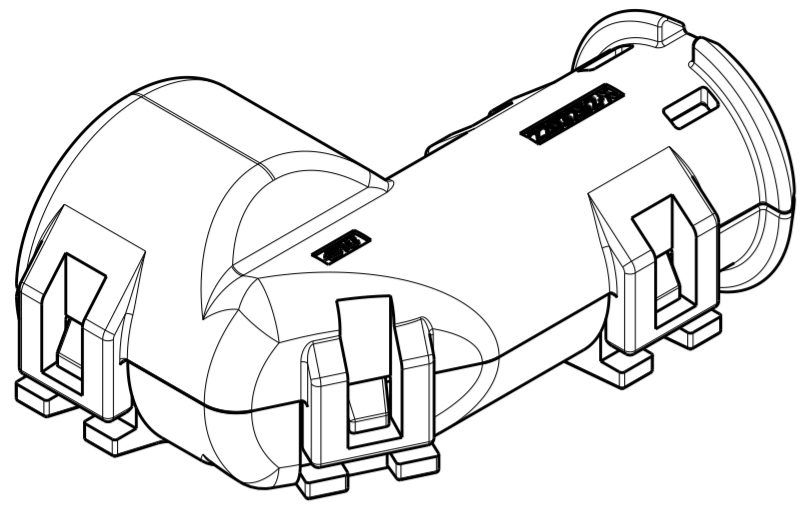
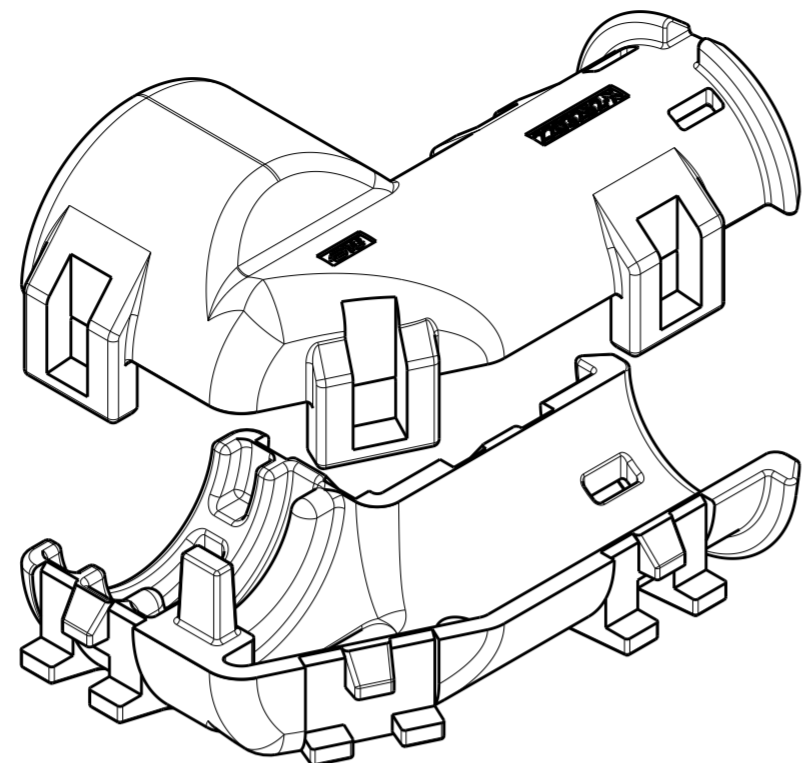


THIS DRAWING IS UNPUBLISHED. RELEASED FOR PUBLICATION 20  
 © COPYRIGHT 20 BY - ALL RIGHTS RESERVED.

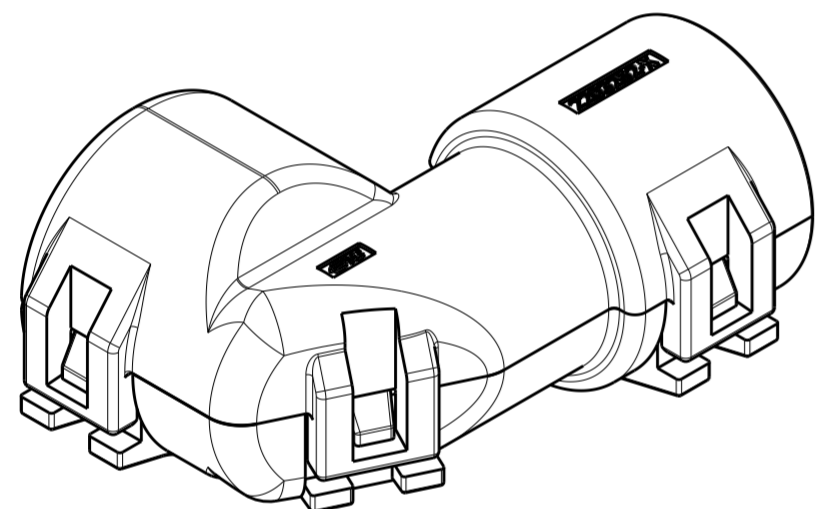
REVISIONS				
P	LTR	DESCRIPTION	DATE	APVD
A		RELEASED PER ECO-15-010501	17JUL2015	JM RB



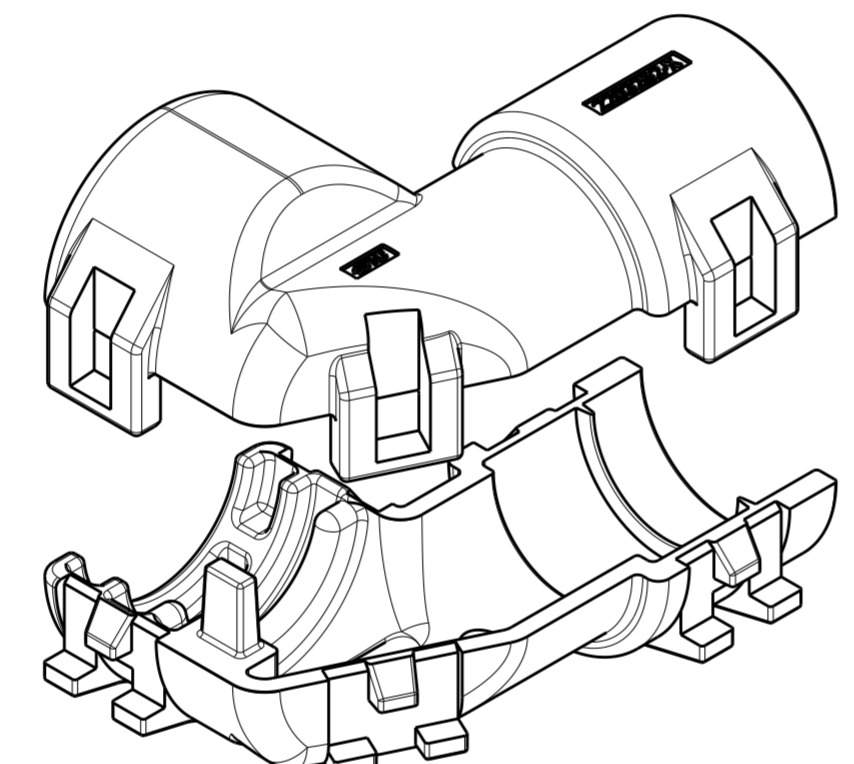
2292850-1  
ASSEMBLED ISOMETRIC VIEW SHOWN



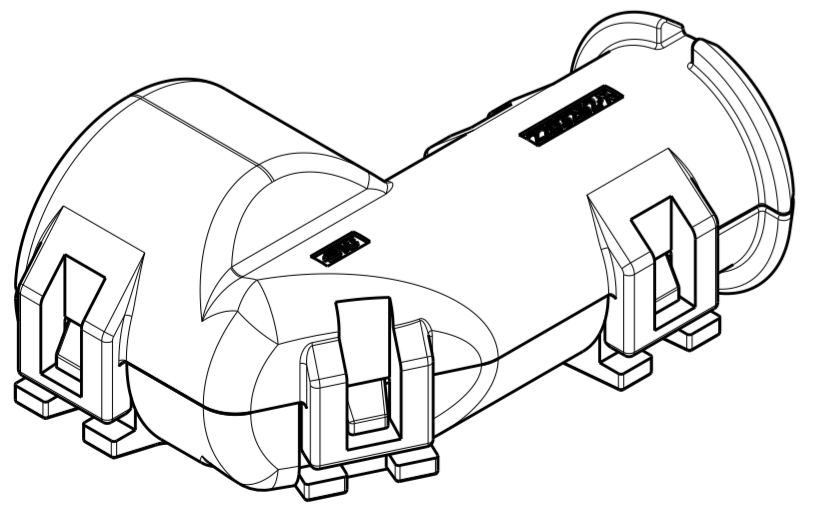
2292850-1  
EXPLODED ISOMETRIC VIEW SHOWN



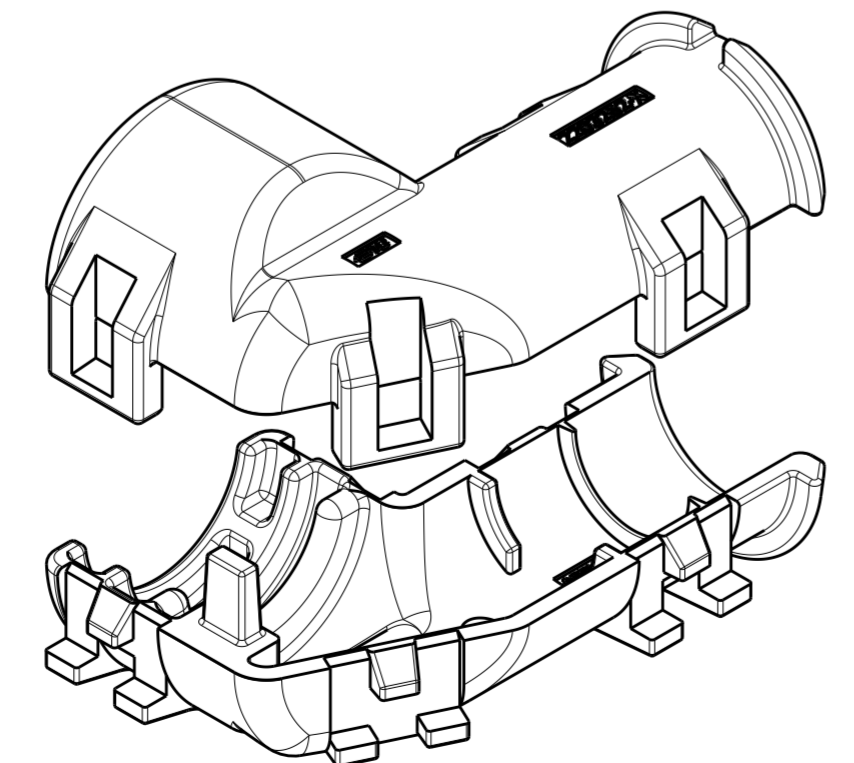
2292850-2  
ASSEMBLED ISOMETRIC VIEW SHOWN



2292850-2  
EXPLODED ISOMETRIC VIEW SHOWN



2292850-3  
ASSEMBLED ISOMETRIC VIEW SHOWN



2292850-3  
EXPLODED ISOMETRIC VIEW SHOWN

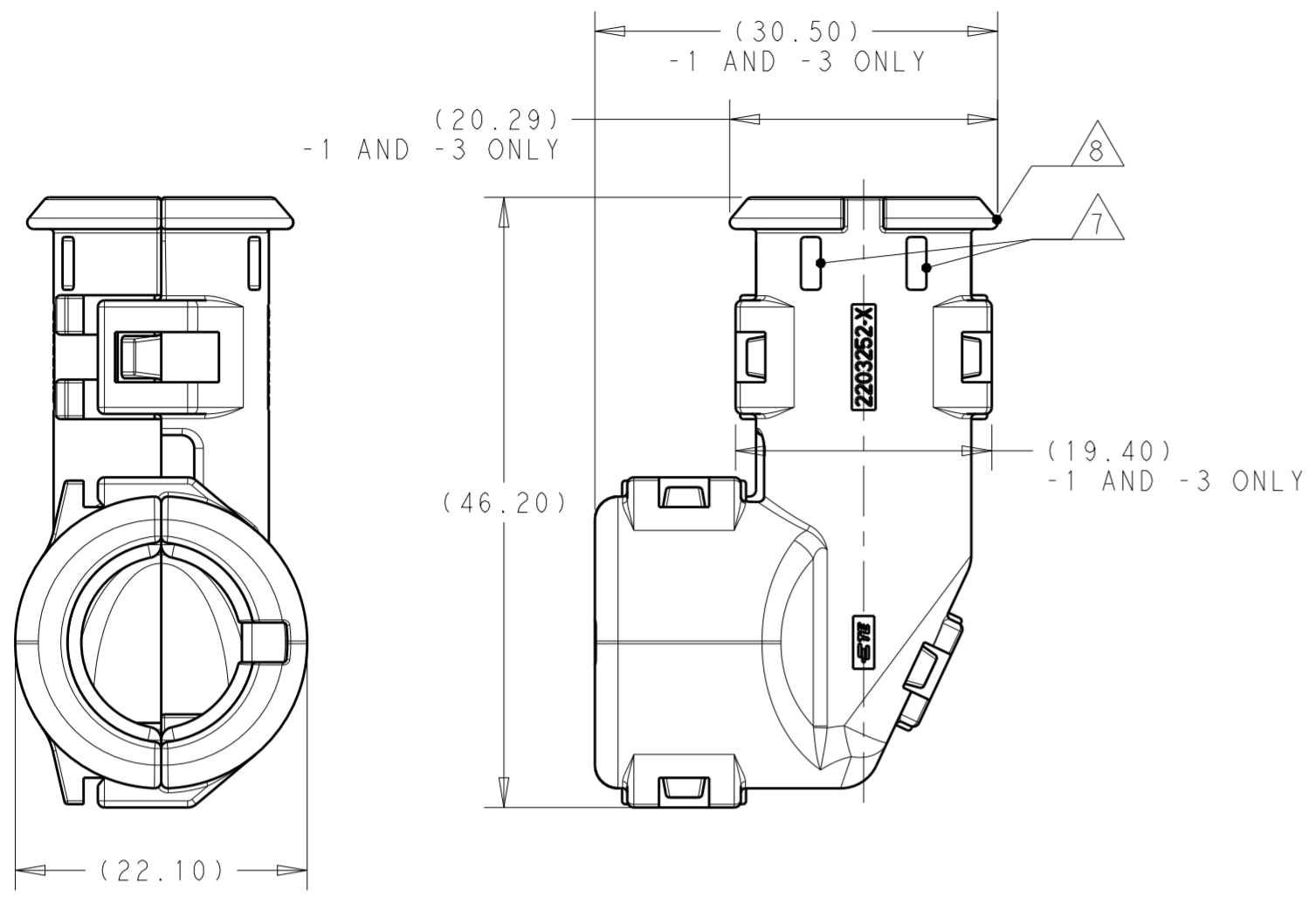
- 1 MATERIAL: NYLON MOLDING COMPOUND, BLACK, PA66/6.
- 2 ELBOWS DESIGNED SUCH THAT TWO HALVES ATTACH TO ONE ANOTHER AND CLAMSHELL AROUND THE BACKSHELL.
- 3 DIMENSIONS TO BE MEASURED WHEN ELBOWS ASSEMBLED.
- 4 SMOOTH EXIT BACKSHELL IS ONLY BACKSHELL THAT ACCEPTS THESE 90° ELBOWS. SEE TABLE.
- 5 NOT SHOWN.
- 6 PRODUCT WEIGHTS:  
 2292850-1: 6.48g ASSEMBLED  
 2292850-2: 7.25g ASSEMBLED  
 2292850-3: 6.60g ASSEMBLED
- 7 4mm WIDE SLOTS FOR TIE WRAP TO SECURE HARNESS WIRES (-1 ONLY).
- 8 HEAT SHRINK TUBING RETENTION FEATURE (-1 AND -3 ONLY).

2272800-X FOR PLUG SIDE	2292799-X FOR PLUG SIDE	NC12	NW10	2292850-3
2292863-X FOR CAP SIDE	2292862-X FOR CAP SIDE	NC16	NW13	2292850-2
		SMOOTH	SMOOTH	2292850-1
FITS ON 6 POSN BACKSHELLS		FITS ON 4 POSN BACKSHELLS		PART NUMBER
		CORREGATE NC CORREGATE NW		
		CONDUIT SIZE		

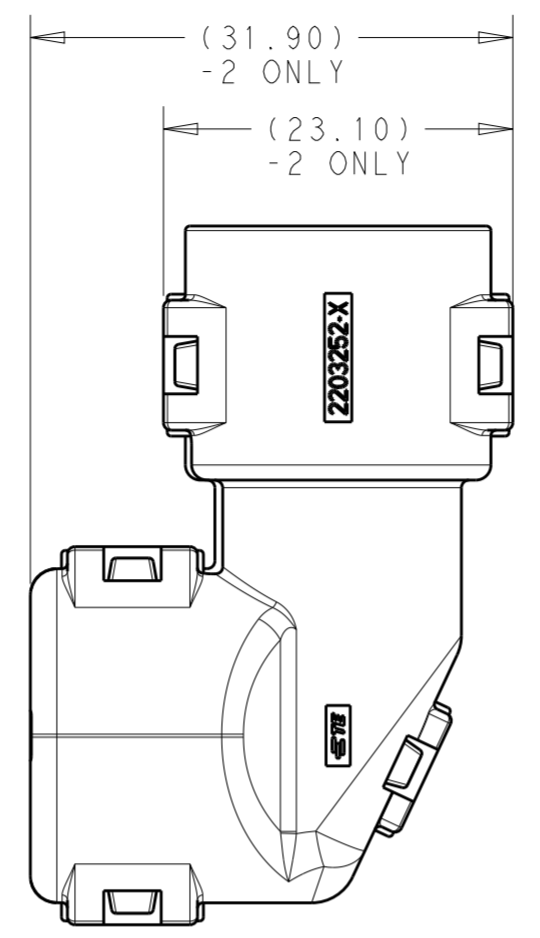
THIS DRAWING IS A CONTROLLED DOCUMENT.		DWN J. MCNEAL 21MAY2015	TE Connectivity	
DIMENSIONS: mm [INCHES]		CHK R. BALTER 21MAY2015		
TOLERANCES UNLESS OTHERWISE SPECIFIED:		APVD R. BALTER 21MAY2015	NAME ELBOW, 4 AND 6 POSITION ASSEMBLY AMPSEAL 16	
0 PLC ± 1 PLC ± 2 PLC ± 3 PLC ± 4 PLC ± ANGLES ± FINISH		PRODUCT SPEC - APPLICATION SPEC -	SIZE A200779	DRAWING NO C-2292850
MATERIAL - 1		WEIGHT 6 -	RESTRICTED TO -	
		CUSTOMER DRAWING	SCALE 2:1	SHEET 1 OF 2 REV A

THIS DRAWING IS UNPUBLISHED. RELEASED FOR PUBLICATION 20  
 © COPYRIGHT 20 BY - ALL RIGHTS RESERVED.

REVISIONS				
P	LTR	DESCRIPTION	DATE	APVD
-	-	SEE SHEET 1	-	-

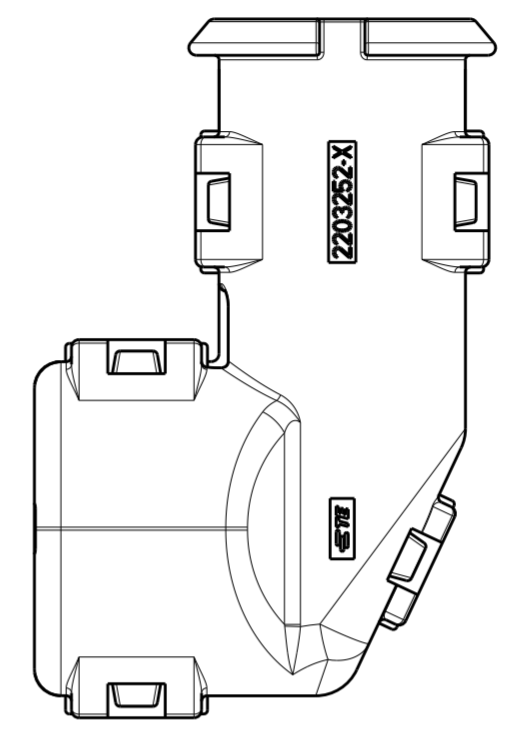


2292850-1  
 ASSEMBLED VIEW SHOWN  
 DIMENSIONS SHOWN TYPICAL FOR ALL PART NUMBERS  
 EXCEPT AS NOTED

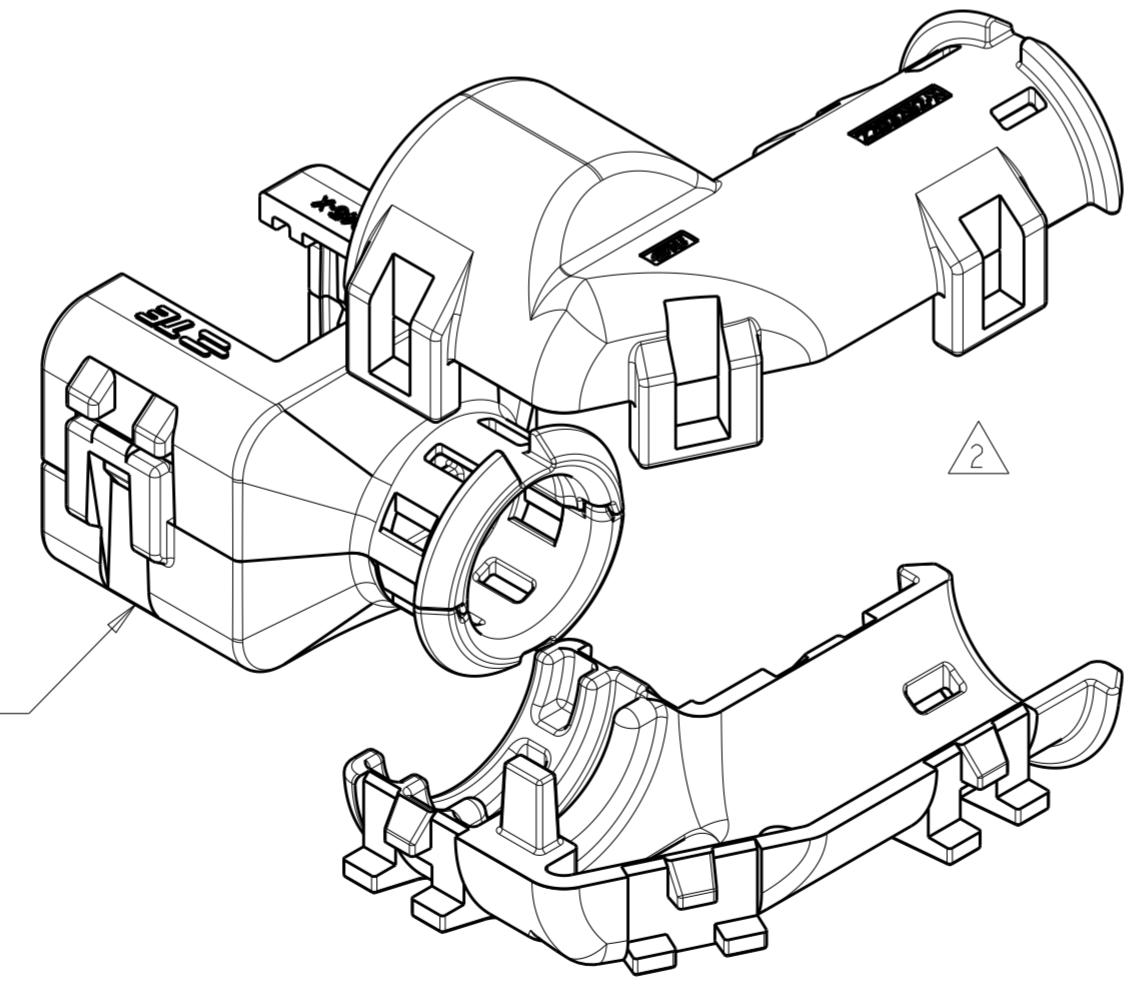


2292850-2  
 ASSEMBLED VIEW SHOWN

DIMENSIONS SHOWN TYPICAL FOR -2 ONLY



2292850-3  
 ASSEMBLED VIEW SHOWN



2292799-1 SHOWN



2292850-1  
 WITH PLUG ASSEMBLY  
 EXPLODED ISOMETRIC VIEW SHOWN  
 ASSEMBLY TYPICAL FOR ALL PART NUMBERS

THIS DRAWING IS A CONTROLLED DOCUMENT.		DWN J. MCNEAL 21MAY2015	TE Connectivity	
DIMENSIONS: mm [INCHES]		CHK R. BALTER 21MAY2015		
TOLERANCES UNLESS OTHERWISE SPECIFIED:		APVD R. BALTER 21MAY2015	NAME ELBOW, 4 AND 6 POSITION ASSEMBLY AMPSEAL 16	
0 PLC ± 1 PLC ± 2 PLC ± 3 PLC ± 4 PLC ± ANGLES ± FINISH -		PRODUCT SPEC -	RESTRICTED TO -	
MATERIAL -		APPLICATION SPEC -	SIZE A200779	CAGE CODE C-2292850
-		WEIGHT -	SCALE 2:1 SHEET 2 OF 2 REV A	
CUSTOMER DRAWING				