

NOTES UNLESS OTHERWISE SPECIFIED

1. GENERAL:
  - a. APPLICATION SPECIFICATION SEE: AS-34763-001
  - b. PRODUCT SPECIFICATION SEE: PS-34763-001
  - c. PACKAGING SPECIFICATION PER MOLEX DRAWING: PK-31901-304
  - d. PARTS MUST BE IN COMPLIANCE TO MOLEX CHEMICAL SUBSTANCES FOR PRODUCTS AND PACKAGING SPECIFICATIONS ES-40000-5015
  - e. DATA MUST BE SUBMITTED UNDER THE MOLEX PART NUMBER TO IMDS (COMPANY ID#13255)
  - f. 0.64 PCB PRESS-FIT (COMPLIANT PIN) PER SD-34481-012 REV B
  - g. 1.5 AND 2.8 PCB PRESS-FIT (COMPLIANT PIN) PER SD-78007-012 REV C
  - h. PCB TO BE FR4 0.062" (1.6mm) THICK
  - i. PRESS-FIT IS VALIDATED PER IEC 60532-5 2nd EDITION 2001-03
2. DESIGN - MATERIALS:
 

1. HOUSING	PA66 35GF
2. PAP	PA66 35GF
3. 0.64 TERMINAL	C51000
4. 1.50 TERMINAL	C51000
5. 2.80 TERMINAL	C51000
3. DESIGN - GEOMETRY:
  - a. THIS IS A 100% CAD GENERATED PART. THE CAD MATHEMATICAL DATA IS THE MASTER FOR THIS PART. FOR DIMENSIONAL OR ANY INFORMATION NOT SHOWN ON THIS DRAWING, ANALYZE THE CAD MODEL.
  - b. PRODUCT DESIGN MODEL NUMBER(S): SEE BOM TABLE
  - c. GEOMETRIC DIMENSIONS AND TOLERANCES PER ASME Y14.5M - 1994
  - d. EDGES AND UNDIMENSIONED DETAILS PER ISO15715
  - e. CORNERS SHOWN AS SHARP TO BE R 0.2 MAX.
  - f. LETTERING SHALL BE 0.15 MAX RAISED. THIS INCLUDES RECYCLING CODE, CAVITY ID, MANUFACTURING LOCATION, AND MOLEX MATERIAL NUMBER.
  - g. VISUAL DEFECTS SHALL MEET COSMETIC STANDARD PS-45499-002 (Class B)
4. TRUE POSITIONS OF THE EONS TO BE VERIFIED WITH A GO/NO GO FUNCTIONAL GAUGE. PART SHOULD BE CONSIDERED IN CONFORMANCE IF ALL THE PINS ARE PRESENT AND PROTRUDE THRU THE HOLES OF THE QUALIFIED PIN ALIGNMENT PLATE.
6. ALL DIMENSIONS APPLY TO THE PART AS SHIPPED FROM MOLEX. FINAL POSITIONING IS ACHIEVED WITH PCB APPLICATION TOOLING, REFERENCE AS-34763-001
7. HARNESS INTERFACE CONTROL DIMENSIONS DERIVED FROM SD-98644-006 REV B AND SD-98995-009 REV A.
8. LASER MARKING TO BE MARKED WITH:
  - a. 2D DATA MATRIX CODE (2D DMC)
    - 12mm X 12mm SIZE
    - MARKING AND READING STANDARD: DATA MARX (ECC200)
    - INFORMATION TO BE ENCODED:
      - CC YYDDSSSSMXN
      - CC=CONFIGURATION NUMBER PER CONFIGURATIONS/BOM TABLE
      - YY=YEAR
      - DDD=DAY OF THE YEAR
      - SSSS=INCREMENTAL SERIAL NUMBER
      - MXN=SUPPLIER DESIGNATION/MANUFACTURING LOCATION
  - b. HUMAN READABLE CODE (HRC)
    - PERMANENTLY APPLIED ON THE PART WITH 15mm LETTER SIZE
    - INFORMATION TO BE PRINTED
      - 9 DIGIT MOLEX MATERIAL NUMBER
      - 4 DIGIT JULIAN MANUFACTURING DATE STAMP DDDY
      - 5 DIGIT INCREMENTAL SERIAL NUMBER
      - 1 DIGIT MOLEX MANUFACTURING CODE
9. DENOTES DIMENSIONS TO BE QUALIFIED WITH A FUNCTIONAL GAUGE FOR PPAP
10. TRUE POSITION OF THE MATE SIDE CONNECTOR BLADES TO BE VERIFIED WITH A GO/NO GO FUNCTIONAL GAUGE

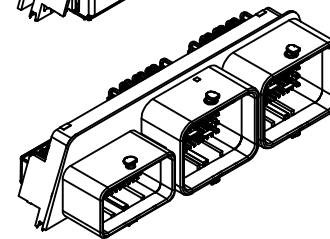
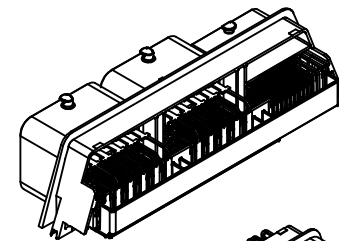


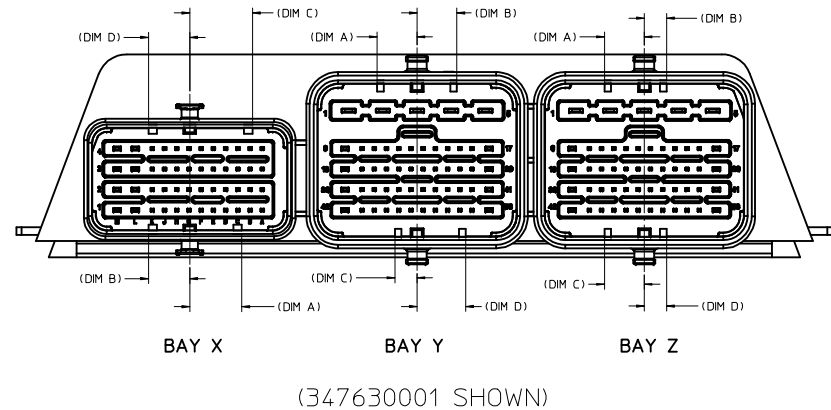
TABLE OF CONTENTS	
SHEET NO.	SHEET DESCRIPTION
1	NOTES AND BOM
2	CONFIGURATIONS
3	CASTING INTERFACE
4	EON/PCB INTERFACE
5	EON/PCB INTERFACE
6	PAP INTERFACE

D	UPDATED CONFIGURATIONS AND MATERIAL NOTES ON 0.64 TERMINAL
C	REMOVED EON SHOULDER LEAD-INS
B	ADDED EON SHOULDER LEAD-INS
A5	UPDATED TOLERANCES
A4	UPDATED LASER MARKING PER CUSTOMER REQUEST
A3	UPDATED PAP FOR MFG. CONSIDERATIONS
A2	UPDATED BLADES AND CM- CALLOUT
A1	ADDED CONFIGURATIONS AND GOLD MATERIAL NUMBERS
A	ADDED CONFIGURATIONS, UPDATED PER MEASUREMENT PLAN
1	INITIAL RELEASE

INSPECTION BALLOON NUMBER LOG																															
PER DRAWING REVISION: C																															
LAST BALLOON NUMBER USED: 114																															
ADDED BALLOON NUMBERS:																															
REMOVED BALLOON NUMBERS: 15, 21, 97-114																															
<table border="1"> <thead> <tr> <th>REV</th> <th>DESCRIPTION</th> </tr> </thead> <tbody> <tr> <td>1</td> <td>INITIAL RELEASE</td> </tr> </tbody> </table>										REV	DESCRIPTION	1	INITIAL RELEASE																		
REV	DESCRIPTION																														
1	INITIAL RELEASE																														
ENTER DESCRIPTION IEC NO: UAU2014-1965 DRWNG: DAHALL CHKD: APPR: KOKOSKI		QUALITY SYMBOLS ∇=0 ∇=0 ∇=0		GENERAL TOLERANCES (UNLESS SPECIFIED) <table border="1"> <thead> <tr> <th></th> <th>mm</th> <th>INCH</th> </tr> </thead> <tbody> <tr> <td>4 PLACES</td> <td>±.005</td> <td>±.0005</td> </tr> <tr> <td>3 PLACES</td> <td>±.010</td> <td>±.0005</td> </tr> <tr> <td>2 PLACES</td> <td>±0.13</td> <td>±.005</td> </tr> <tr> <td>1 PLACE</td> <td>±0.25</td> <td>±.010</td> </tr> <tr> <td>0 PLACE</td> <td>±.005</td> <td>±.0005</td> </tr> </tbody> </table> ANGULAR ± 1 ° DRAFT WHERE APPLICABLE MUST REMAIN WITHIN DIMENSIONS			mm	INCH	4 PLACES	±.005	±.0005	3 PLACES	±.010	±.0005	2 PLACES	±0.13	±.005	1 PLACE	±0.25	±.010	0 PLACE	±.005	±.0005	DIMENSION STYLE MM ONLY		SCALE 1:1		DESIGN UNITS METRIC		THIRD ANGLE PROJECTION	
	mm	INCH																													
4 PLACES	±.005	±.0005																													
3 PLACES	±.010	±.0005																													
2 PLACES	±0.13	±.005																													
1 PLACE	±0.25	±.010																													
0 PLACE	±.005	±.0005																													
DRAWN BY JMAJNEY		DATE 3/19/09		CHECKED BY DKRACZYK		DATE 3/19/09		APPROVED BY VKOSHY		DATE 3/19/09																					
MATERIAL NO. 999999999		DOCUMENT NO. SD-34763-001		SHEET NO. 1 OF 6		moxle HEADER ASSEMBLY 154WAY CMC HEADER																									
THIS DRAWING CONTAINS INFORMATION THAT IS PROPRIETARY TO MOLEX INCORPORATED AND SHOULD NOT BE USED WITHOUT WRITTEN PERMISSION																															

CONFIGURATIONS / BOM

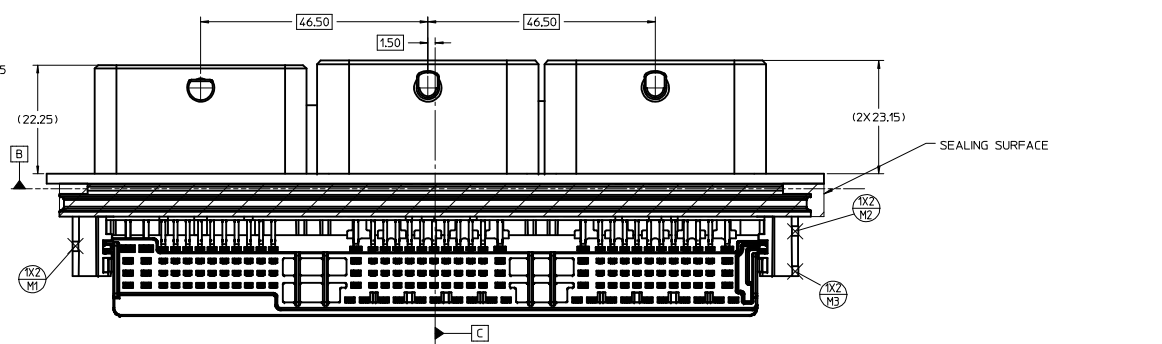
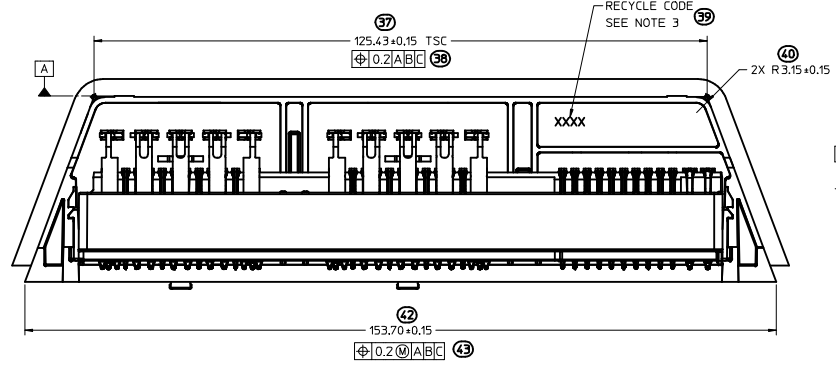
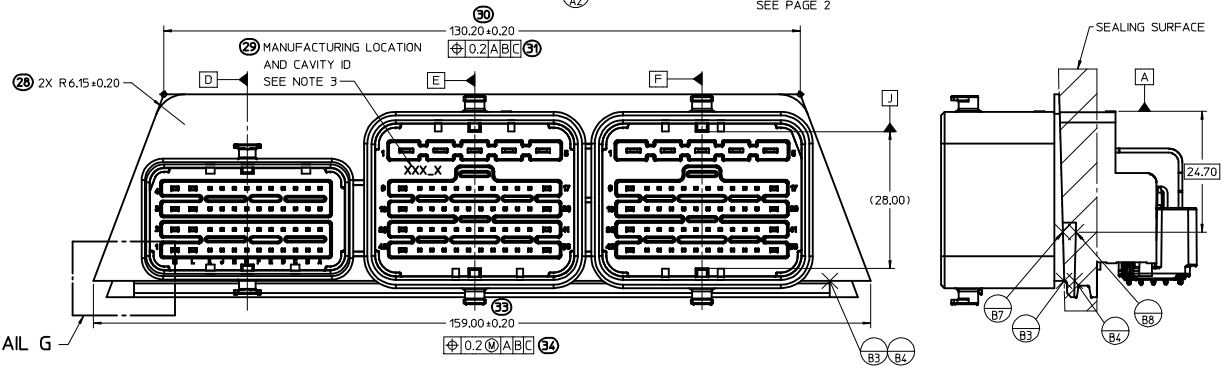
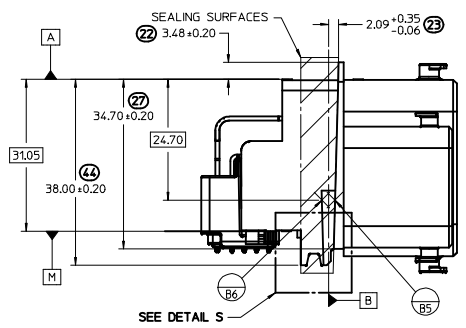
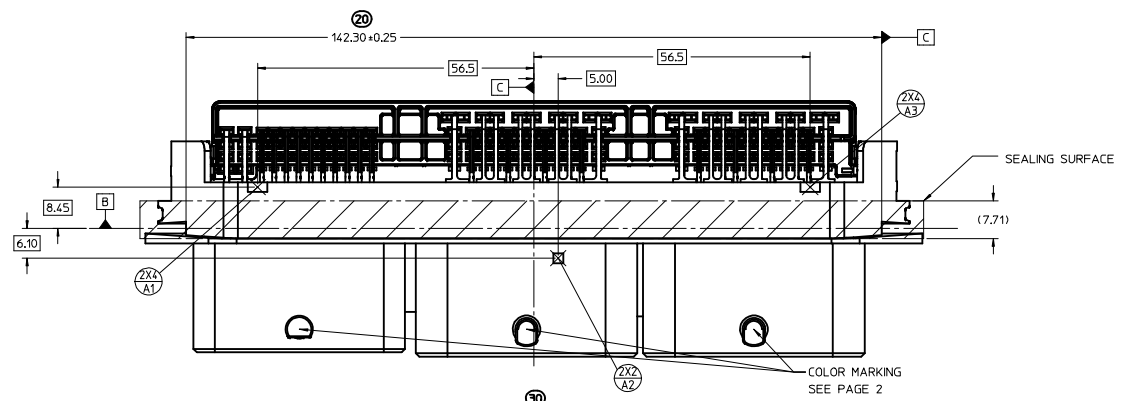
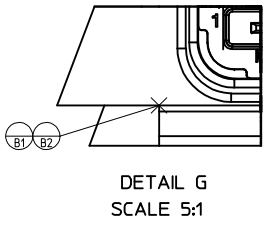
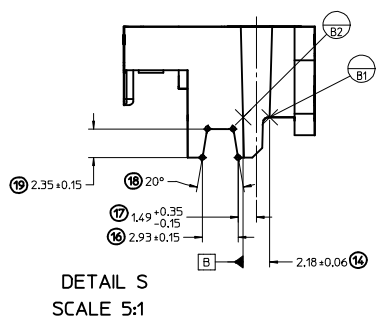
CONFIGURATION No.	MATERIAL No.	DESCRIPTION	BAY	KEY CODING	COLOR	(DIM A)	(DIM B)	(DIM C)	(DIM D)	0,64 Blade Plating	150 Blade Plating	2,80 Blade Plating	PRODUCT DESIGN MODEL
01	347630001	154 Way	X (48)	2	GREY	10,65	8,45	12,85	8,45	Sn	Sn	Sn	CM-34763-001
			Y (53)	3	BROWN	8,15	8,15	4,55	9,95				
			Z (53)	1	BLACK	8,15	4,55	8,15	4,55				
02	347630002	106 Way	X (0)	----	----	12,85	12,85	12,85	12,85	Sn	Sn	Sn	CM-34763-002
			Y (53)	3	BROWN	8,15	8,15	4,55	9,95				
			Z (53)	1	BLACK	8,15	4,55	8,15	4,55				
03	347630003	53 Way	X (0)	----	----	12,85	12,85	12,85	12,85	Sn	Sn	Sn	CM-34763-003
			Y (53)	3	BROWN	8,15	8,15	4,55	9,95				
			Z (0)	----	----	8,15	9,95	8,15	11,75				
04	347630004	101 Way	X (48)	3	BROWN	8,45	10,65	12,85	12,85	Sn	Sn	Sn	CM-34763-004
			Y (0)	----	----	8,15	9,95	8,15	11,75				
			Z (53)	1	BLACK	8,15	4,55	8,15	4,55				
05	347630005	154 Way	X (48)	3	BROWN	8,45	10,65	12,85	12,85	Sn	Sn	Sn	CM-34763-005
			Y (53)	3	BROWN	8,15	8,15	4,55	9,95				
			Z (53)	1	BLACK	8,15	4,55	8,15	4,55				
06	347630006	154 Way	X (48)	3	BROWN	8,45	10,65	12,85	12,85	Sn	Sn	Sn	CM-34763-006
			Y (53)	2	GREY	8,15	6,35	6,35	6,35				
			Z (53)	4	GREEN	4,55	9,95	8,15	11,75				
07	347630007	53 Way	X (0)	----	----	12,85	12,85	12,85	12,85	Sn	Sn	Sn	CM-34763-007
			Y (53)	1	BLACK	8,15	4,55	8,15	4,55				
			Z (0)	----	----	8,15	9,95	8,15	11,75				
08	347630008	154 Way	X (48)	3	BROWN	8,45	10,65	12,85	12,85	Sn	Sn	Sn	CM-34763-008
			Y (53)	2	GREY	8,15	6,35	6,35	6,35				
			Z (53)	1	BLACK	8,15	4,55	8,15	4,55				
09	347630009	53 Way	X (0)	----	----	12,85	12,85	12,85	12,85	Sn	Sn	Sn	CM-34763-009
			Y (53)	2	GREY	8,15	6,35	6,35	6,35				
			Z (0)	----	----	8,15	9,95	8,15	11,75				
10	347630010	154 Way	X (48)	3	BROWN	8,45	10,65	12,85	12,85	Sn	Sn	Sn	CM-34763-010
			Y (53)	3	BROWN	8,15	8,15	4,55	9,95				
			Z (53)	2	GREY	8,15	6,35	6,35	6,35				
11	347630011	154 Way	X (48)	3	BROWN	8,45	10,65	12,85	12,85	Sn	Sn	Sn	CM-34763-011
			Y (53)	3	BROWN	8,15	8,15	4,55	9,95				
			Z (53)	4	GREEN	4,55	9,95	8,15	11,75				
12	347630012	154 Way	X (48)	3	BROWN	8,45	10,65	12,85	12,85	Sn	Sn	Sn	CM-34763-012
			Y (53)	1	BLACK	8,15	4,55	8,15	4,55				
			Z (53)	4	GREEN	4,55	9,95	8,15	11,75				
13	347630013	154 Way	X (48)	3	BROWN	8,45	10,65	12,85	12,85	Au	Au	Sn	CM-34763-005
			Y (53)	3	BROWN	8,15	8,15	4,55	9,95				
			Z (53)	1	BLACK	8,15	4,55	8,15	4,55				
14	347630014	154 Way	X (48)	3	BROWN	8,45	10,65	12,85	12,85	Au	Au	Sn	CM-34763-008
			Y (53)	2	GREY	8,15	6,35	6,35	6,35				
			Z (53)	1	BLACK	8,15	4,55	8,15	4,55				
15	347630015	154 Way	X (48)	3	BROWN	8,45	10,65	12,85	12,85	Au	Au	Sn	CM-34763-011
			Y (53)	3	BROWN	8,15	8,15	4,55	9,95				
			Z (53)	4	GREEN	4,55	9,95	8,15	11,75				
16	347630016	154 Way	X (48)	3	BROWN	8,45	10,65	12,85	12,85	Au	Au	Sn	CM-34763-012
			Y (53)	1	BLACK	8,15	4,55	8,15	4,55				
			Z (53)	4	GREEN	4,55	9,95	8,15	11,75				
17	347630017	154 Way	X (48)	3	BROWN	8,45	10,65	12,85	12,85	Au	Au	Sn	CM-34763-006
			Y (53)	2	GREY	8,15	6,35	6,35	6,35				
			Z (53)	4	GREEN	4,55	9,95	8,15	11,75				
18	347630018	101 Way	X (48)	3	BROWN	8,45	10,65	12,85	12,85	Sn	Sn	Sn	CM-34763-013
			Y (0)	----	----	----	----	----	----				
			Z (53)	1	BLACK	8,15	4,55	8,15	4,55				



<b>ENTER DESCRIPTION</b> EC NO: UAU2014-1965 D: DRWNGDHALL 2014/05/12 CHKD: APPR:KOEKOSKI 2014/06/26 REV: DESCRIPTION	<b>QUALITY SYMBOLS</b> ∇=0 ∇=0 ∇=0		<b>GENERAL TOLERANCES (UNLESS SPECIFIED)</b> 4 PLACES ± 0.13 3 PLACES ± 0.25 2 PLACES ± 0.25 1 PLACE ± 0.25 0 PLACE ± 0.25		<b>DIMENSION STYLE</b> MM ONLY		SCALE 2:1	DESIGN UNITS METRIC	THIRD ANGLE PROJECTION	
	DRAWN BY JMAUNEY		DATE 3/19/09		TITLE HEADER ASSEMBLY 154WAY CMC HEADER					
	CHECKED BY DKRACZYK		DATE 3/19/09		APPROVED BY VKOSHY		DATE 3/19/09			
	MATERIAL NO. 999999999		DOCUMENT NO. SD-34763-001		SHEET NO. 2 OF 6					

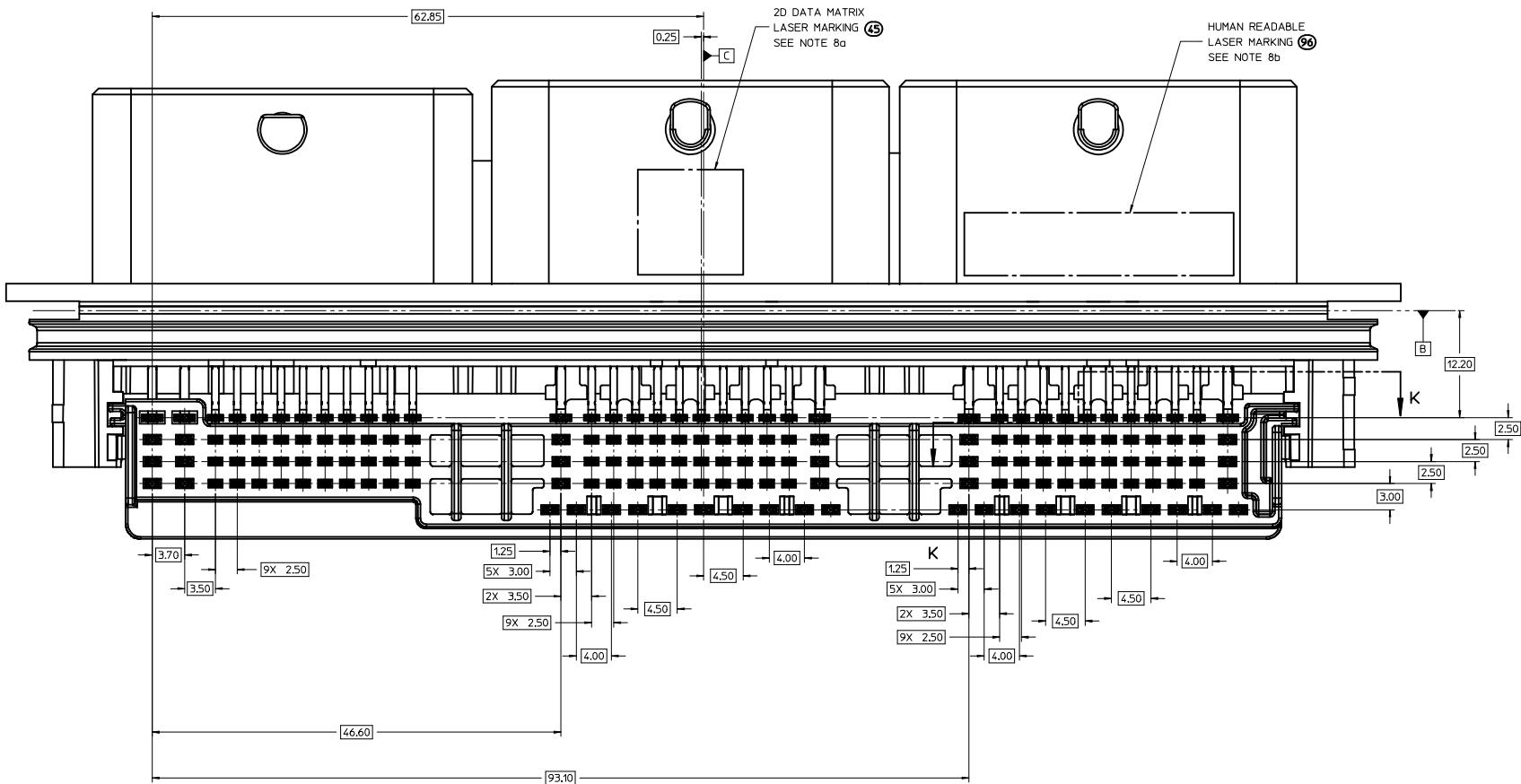
**molex**

THIS DRAWING CONTAINS INFORMATION THAT IS PROPRIETARY TO MOLEX INCORPORATED AND SHOULD NOT BE USED WITHOUT WRITTEN PERMISSION



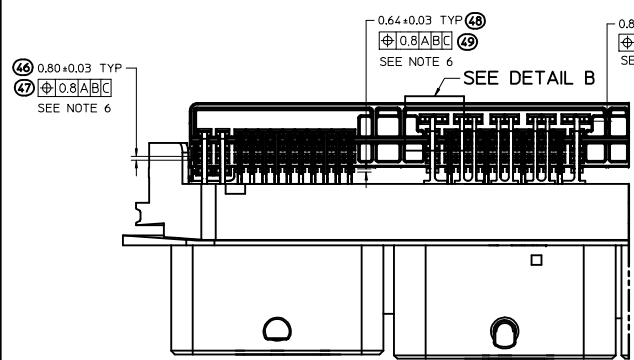
<b>ENTER DESCRIPTION</b> EC NO: UAU2014-1965 DRAWN BY: DRWNGMHALL CHKD: APPR:KDEKOSKI DATE: 2014/05/12 DATE: 2014/06/26	<b>QUALITY SYMBOLS</b> ∇=0 ∇=0 ∇=0	<b>GENERAL TOLERANCES (UNLESS SPECIFIED):</b>		<b>DIMENSION STYLE</b> MM ONLY		SCALE 1:1	DESIGN UNITS METRIC	THIRD ANGLE PROJECTION	
		4 PLACES ± mm ± INCH 3 PLACES ± ± ± 2 PLACES ± 0.13 ± ± ± 1 PLACE ± 0.25 ± ± ± 0 PLACE ± ± ± ± ± ± ±	DRAWN BY: JMAUNEY DATE: 3/19/09	CHECKED BY: DKRAWCZYK DATE: 3/19/09	APPROVED BY: VKOSHY DATE: 3/19/09	TITLE HEADER ASSEMBLY 154WAY CMC HEADER			
		ANGULAR ± 1 ° DRAFT WHERE APPLICABLE MUST REMAIN WITHIN DIMENSIONS		MATERIAL NO. 9999999999			DOCUMENT NO. SD-34763-001		SHEET NO. 3 OF 6
		THIS DRAWING CONTAINS INFORMATION THAT IS PROPRIETARY TO MOLEX INCORPORATED AND SHOULD NOT BE USED WITHOUT WRITTEN PERMISSION							

20 19 18 17 16 15 14 13 12 11 10 9 8 7 6 5 4 3 2 1

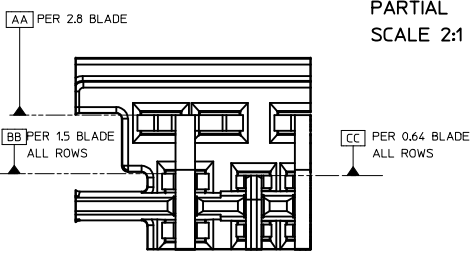


<b>ENTER DESCRIPTION</b> EC NO: UAU2014-1965 D DRYNSDAHALL 2014/05/12 CHKD: APPR:K0EKOSKI 2014/06/26 REV DESCRIPTION	<b>QUALITY SYMBOLS</b> ∇=0 ∇=0 ∇=0		<b>GENERAL TOLERANCES (UNLESS SPECIFIED)</b> <table border="1"> <thead> <tr> <th></th> <th>mm</th> <th>INCH</th> </tr> </thead> <tbody> <tr> <td>4 PLACES</td> <td>± .13</td> <td>± .005</td> </tr> <tr> <td>3 PLACES</td> <td>± .15</td> <td>± .006</td> </tr> <tr> <td>2 PLACES</td> <td>± 0.25</td> <td>± .010</td> </tr> <tr> <td>1 PLACE</td> <td>± 0.50</td> <td>± .020</td> </tr> <tr> <td>0 PLACE</td> <td>± 1.00</td> <td>± .040</td> </tr> </tbody> </table>			mm	INCH	4 PLACES	± .13	± .005	3 PLACES	± .15	± .006	2 PLACES	± 0.25	± .010	1 PLACE	± 0.50	± .020	0 PLACE	± 1.00	± .040	<b>DIMENSION STYLE</b> MM ONLY		<b>SCALE</b> 1:1		<b>DESIGN UNITS</b> METRIC		THIRD ANGLE PROJECTION	
		mm	INCH																											
	4 PLACES	± .13	± .005																											
	3 PLACES	± .15	± .006																											
2 PLACES	± 0.25	± .010																												
1 PLACE	± 0.50	± .020																												
0 PLACE	± 1.00	± .040																												
<b>ANGULAR ± 1°</b> DRAFT WHERE APPLICABLE MUST REMAIN WITHIN DIMENSIONS			<b>MATERIAL NO.</b> 999999999		<b>DATE</b> 3/19/09		<b>TITLE</b> HEADER ASSEMBLY 154WAY CMC HEADER		<b>SHEET NO.</b> 4 OF 6																					
			<b>SIZE</b> D		<b>APPROVED BY</b> VKOSHY 3/19/09		<b>DOCUMENT NO.</b> SD-34763-001		<b>INCORPORATED AND SHOULD NOT BE USED WITHOUT WRITTEN PERMISSION</b>																					
<b>molex</b>																														

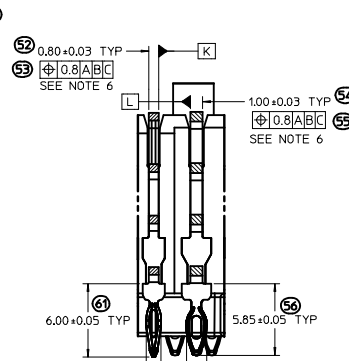
19 18 17 16 15 14 13 12 11 10 9 8 7 6 5 4 3 2 1



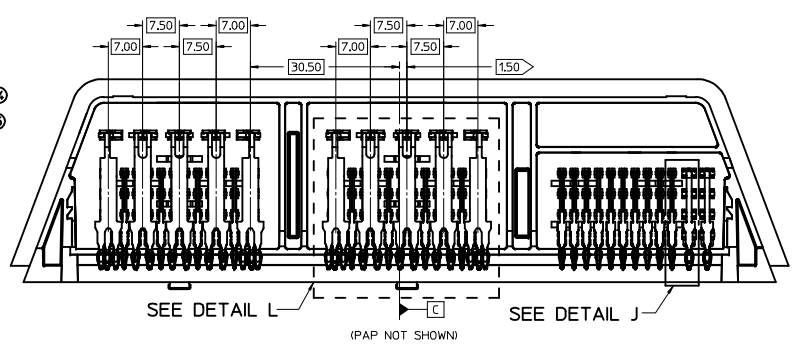
TOP VIEW  
 PARTIAL  
 SCALE 2:1



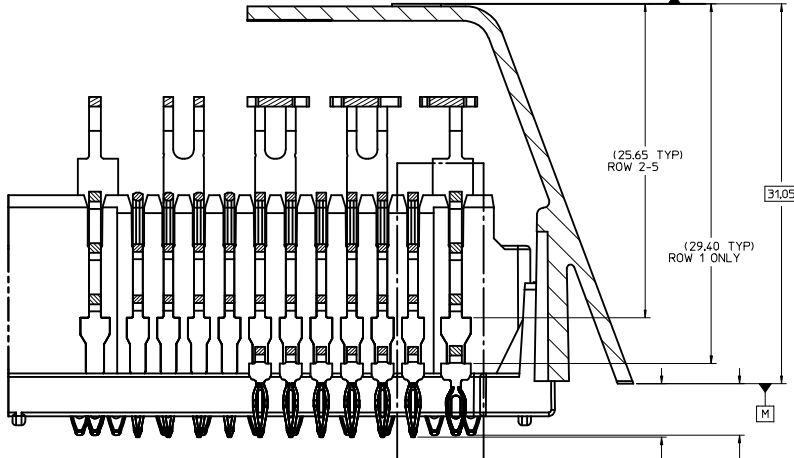
DETAIL B  
 SCALE 8:1



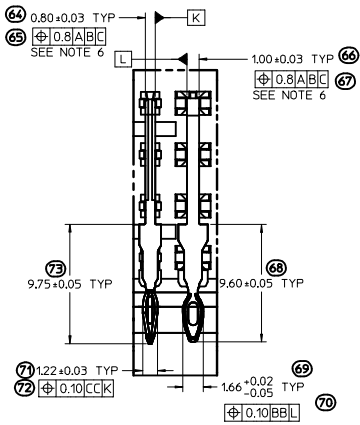
DETAIL K  
 SCALE 5:1  
 ROW 1



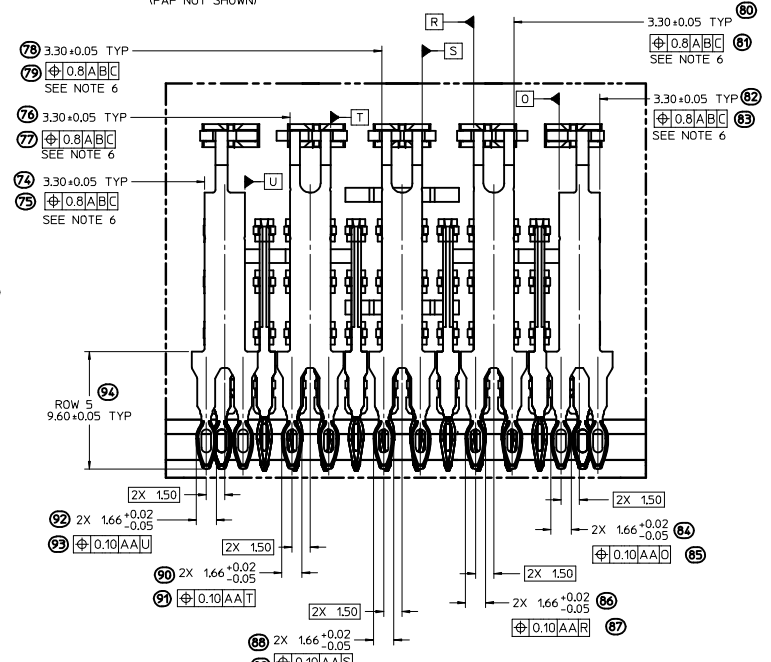
DETAIL L  
 PARTIAL VIEW  
 SCALE 5:1



SECTION K-K  
 PARTIAL VIEW  
 SCALE 5:1

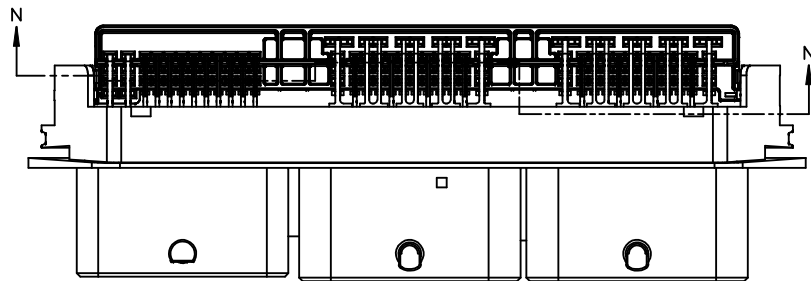


DETAIL J  
 SCALE 5:1  
 ROW 2-4

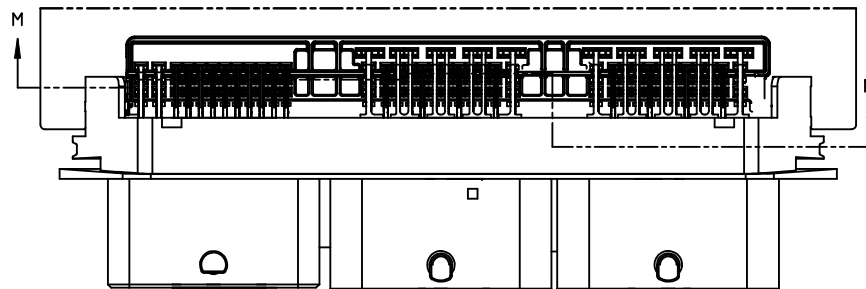


ENTER DESCRIPTION EC NO: UAU2014-1965 DRYNDAHAL CHKD: APPR:KOEKOSKI 2014/05/12 2014/06/26	QUALITY SYMBOLS	GENERAL TOLERANCES (UNLESS SPECIFIED)	DIMENSION STYLE	SCALE	DESIGN UNITS	THIRD ANGLE PROJECTION
	▽=0	mm INCH	MM ONLY	1:1	METRIC	⊙
	▽=0	4 PLACES ± --- ± ---	DRAWN BY	DATE	TITLE	
	▽=0	3 PLACES ± --- ± ---	JMAUNEY	3/19/09	HEADER ASSEMBLY 154WAY CMC HEADER	
	2 PLACES ± 0.13 ± ---	CHECKED BY	DATE			
	1 PLACE ± 0.25 ± ---	DKRAWCZYK	3/19/09			
	0 PLACE ± --- ± ---	APPROVED BY	DATE			
		VKOSHY	3/19/09			
	ANGULAR ± 1 °	MATERIAL NO.	DATE			
	DRAFT WHERE APPLICABLE MUST REMAIN WITHIN DIMENSIONS	999999999	3/19/09			
		DOCUMENT NO.	DATE			
		SD-34763-001	3/19/09			
		SHEET NO.	DATE			
		5 OF 6	3/19/09			

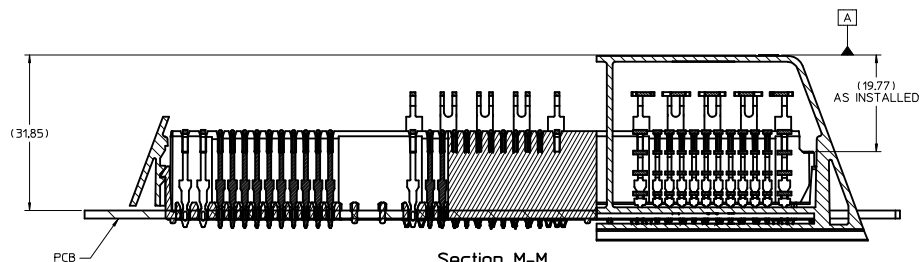
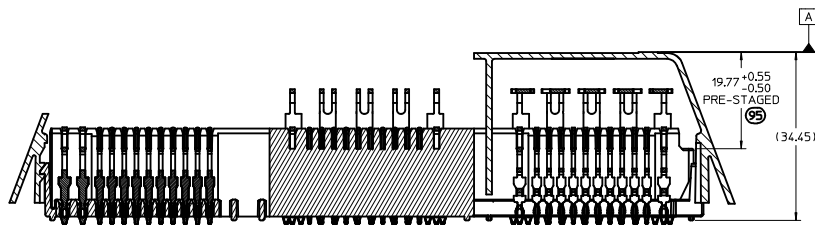
20 19 18 17 16 15 14 13 12 11 10 9 8 7 6 5 4 3 2 1



PAP SHOWN IN THE PRE-STAGED POSITION  
Section N-N



ASSEMBLY SHOWN IN THE INSTALLED POSITION  
Section M-M



ENTER DESCRIPTION  
 EC NO: UAU204  
 DR: WINDAHALL  
 CHKD: APPR: KOKOSKI 2017/03/19

QUALITY SYMBOLS	▽=0	GENERAL TOLERANCES (UNLESS SPECIFIED)	DIMENSION STYLE	SCALE	DESIGN UNITS	THIRD ANGLE PROJECTION
	▽=0	4 PLACES ±---+---	MM ONLY	2:1	METRIC	⊙
	▽=0	3 PLACES ±---+---				
	▽=0	2 PLACES ±0.13+---				
		1 PLACE ±0.25+---				
		0 PLACE ±---+---				
		ANGULAR ± 1 °				
		DRAFT WHERE APPLICABLE MUST REMAIN WITHIN DIMENSIONS				
			MATERIAL NO.	DOCUMENT NO.		
			999999999	SD-34763-001		
					SHEET NO.	
					6 OF 6	

HEADER ASSEMBLY  
154WAY CMC HEADER

**molex**

19 18 17 16 15 14 13 12 11 10 9 8 7 6 5 4 3 2 1