

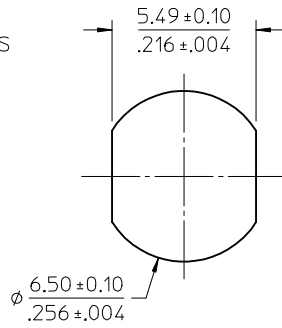
MATERIALS AND FINISHES

BODY, JAM NUT, FLAT WASHER: BRASS
PLATED: GOLD

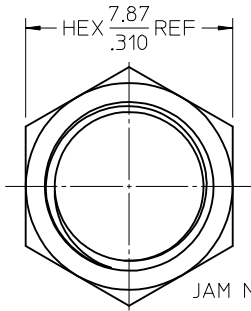
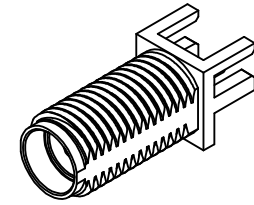
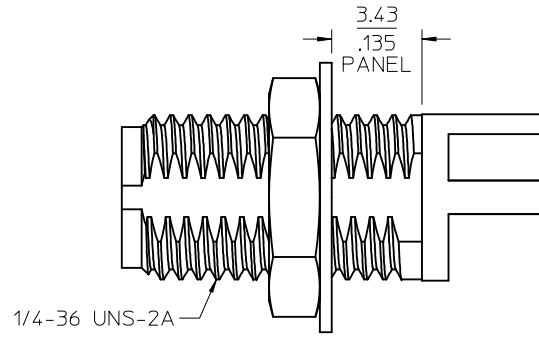
CENTER CONTACT: BeCu
PLATED: GOLD

INSULATOR: TEFLON

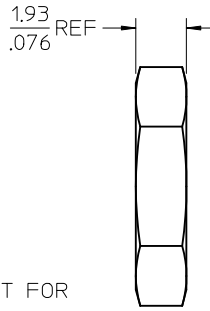
LOCKWASHER: PHOSPHOR BRONZE
PLATED: GOLD



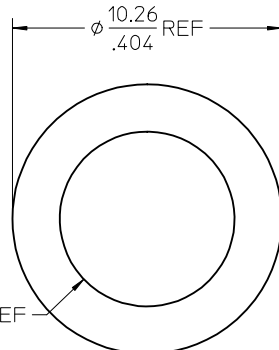
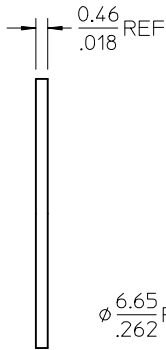
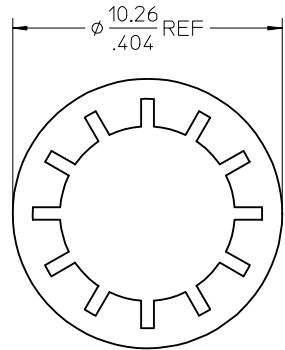
RECOMMENDED PANEL CUTOUT



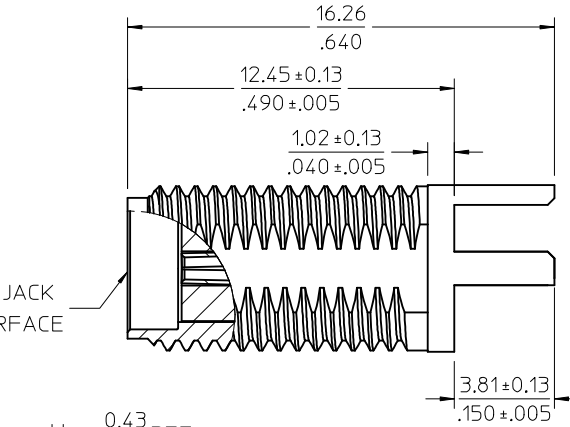
JAM NUT FOR
73251-2121 & -2122



LOCK WASHER FOR
73251-2121 ONLY



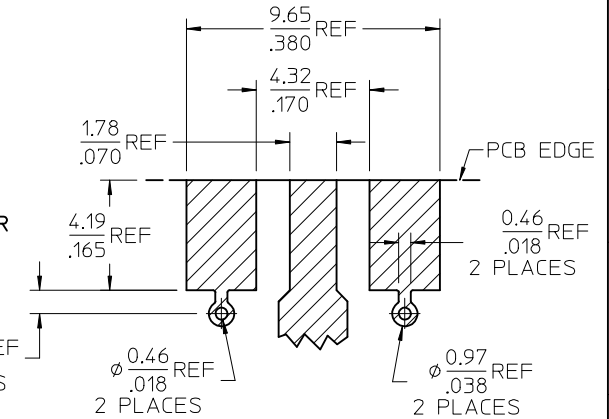
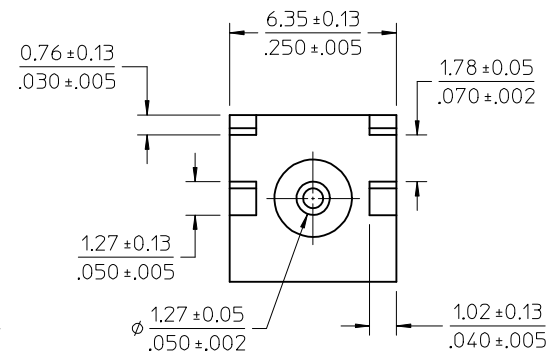
FLAT WASHER FOR
73251-2122 ONLY



SMA JACK
INTERFACE

RECOMMENDED PAD LAYOUT

BASE WIDTH: 6.35(.250) NOM.
BOARD THICKNESS: 1.57(.062) NOM.
BOARD MATERIAL: FR4 W/1.0 OZ COPPER
BOTH SIDES



73251-2123	ONE PIECE -2120 WITHOUT HARDWARE PER BAG
73251-2122	-2120 W/JAM NUT & FLAT WASHER / TRAY PACKING
73251-2121	-2120 W/JAM NUT & LOCK WASHER / TRAY PACKING
73251-2120	-2120 WITHOUT HARDWARE / TRAY PACKING
PART NO.	DESCRIPTION
PS-89675-3460	PRODUCT SPECIFICATION
MIL-STD-348A, FIG. 310.2	INTERFACE
SPECIFICATION	DESCRIPTION

CHG: REGENERATED DWG & ADDED TOLERANCE PER RF13-E072	DATE: 2012/12/12
EC NO: URF2013-0355	
DRW:RYEH	CHKD: A5
APPR:MHUANG	
DESCRIPTION	
QUALITY SYMBOLS	

GENERAL TOLERANCES (UNLESS SPECIFIED)	
mm	INCH
4 PLACES ± ---	± ---
3 PLACES ± ---	± ---
2 PLACES ± ---	± ---
1 PLACE ± ---	± ---
0 PLACE ±	±
ANGULAR ± 2 °	
DRAFT WHERE APPLICABLE MUST REMAIN WITHIN DIMENSIONS	

DIMENSION STYLE	
MM/IN	
DRAWN BY	DATE
SSS	2003/07/09
CHECKED BY	DATE
TEF	2003/07/09
APPROVED BY	DATE
JWIENER	2010/10/27
MATERIAL NO.	
SEE TABLE	
SIZE	C

SCALE	7:1
DESIGN UNITS	METRIC
THIRD ANGLE PROJECTION	
TITLE	
SMA JACK, EDGE MOUNT .062 BOARD, 50 OHMS, EWR-2074 SMA-J/PCB	
DOCUMENT NO.	
SD-73251-212	
SHEET NO.	
1 OF 1	



THIS DRAWING CONTAINS INFORMATION THAT IS PROPRIETARY TO MOLEX INCORPORATED AND SHOULD NOT BE USED WITHOUT WRITTEN PERMISSION