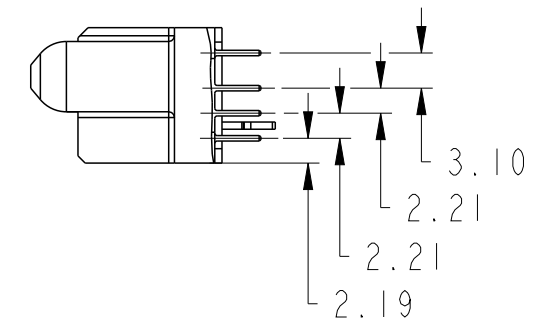
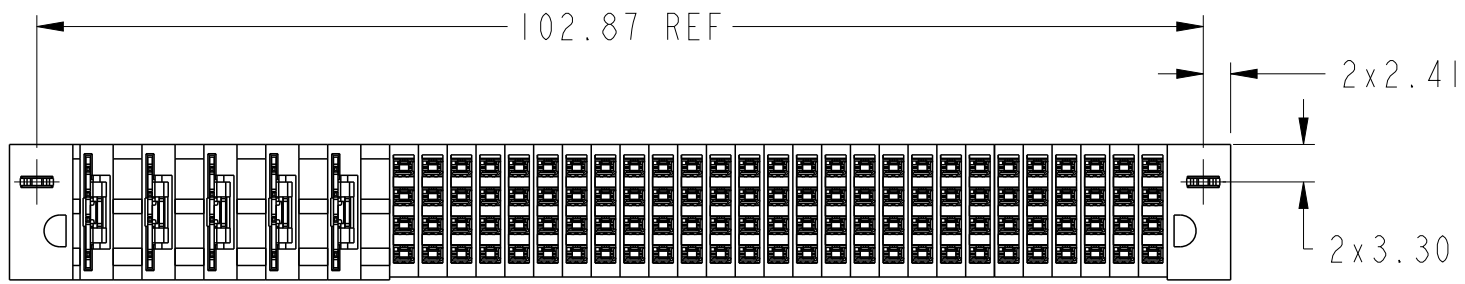
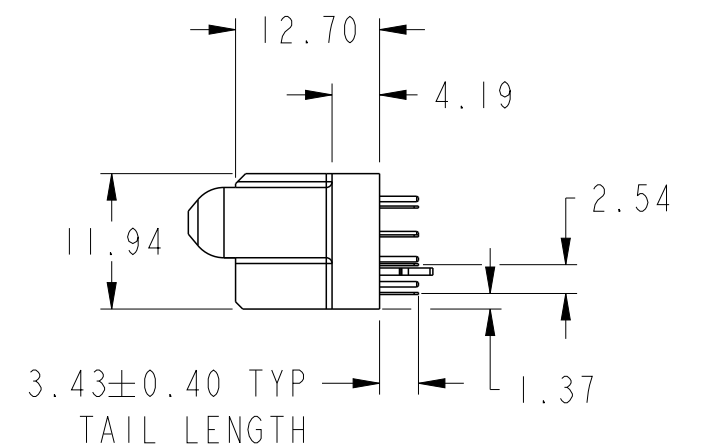
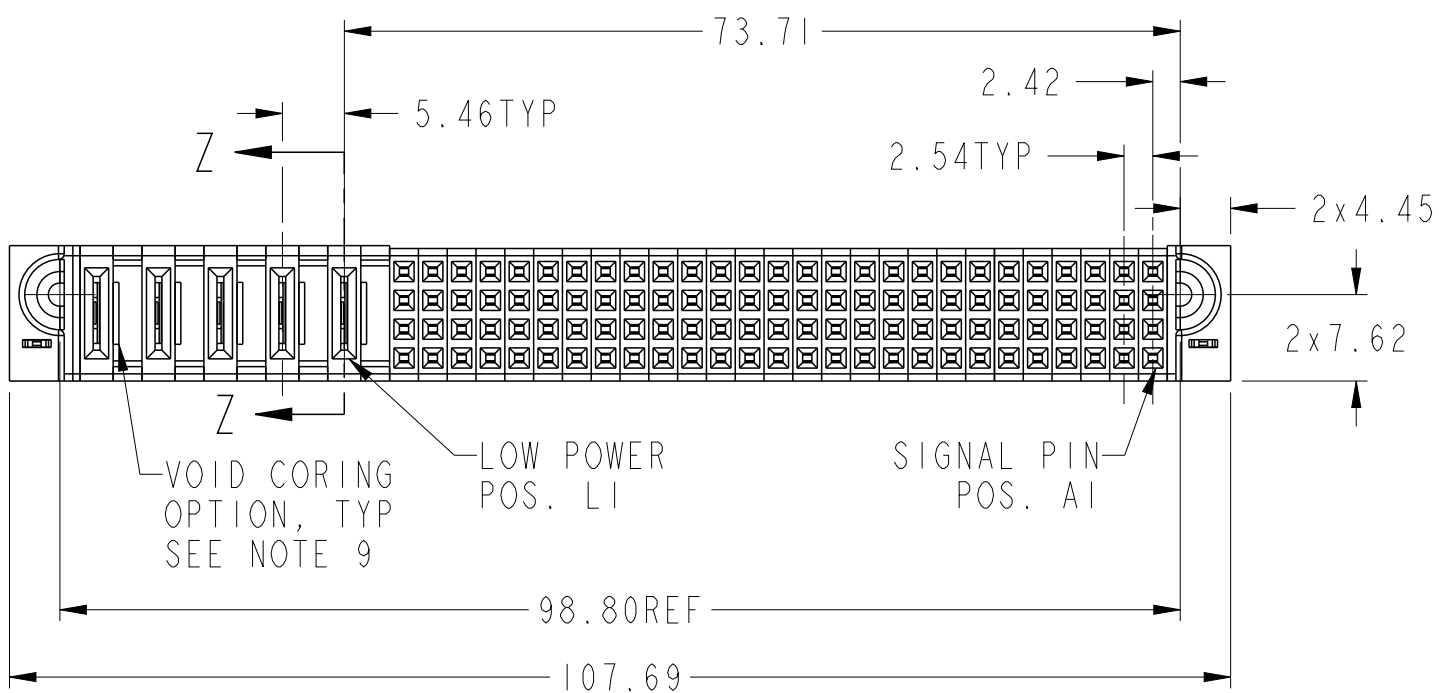
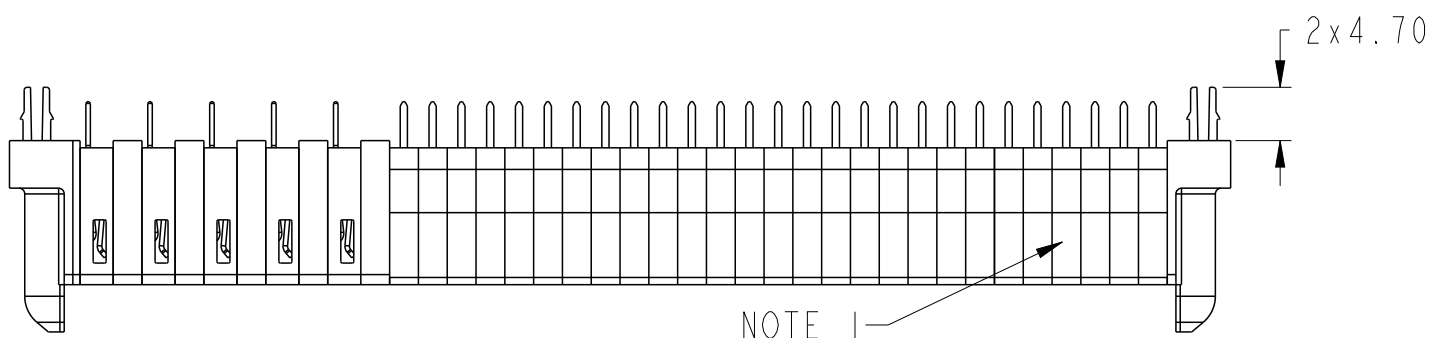


PRODUCT NUMBER SEE SHEET 2



SECTION Z-Z



spec ref	dr	2014/06/18	projection	MM	size	A3	scale	3:2
tolerance std	eng	2014/07/03			ecn no	-	rel level	Released
ASME Y14.5	chr	2014/07/03						
surface <input checked="" type="checkbox"/> linear ASME Y14.5 angular	appr	2014/07/03	product family	PowerBlade+	dwg no		10106268-0527001	rev
	0.X ±0.50 0.XX ±0.25 0.XXX ±0.10				cat. no. 108S + 5LP VT STB RECEPTACLE		sheet 1 of 3	A
	0° ±2°		www.fci.com		Product - Customer Drw			



Copyright FCI.

A

B

C

D

A

B

C

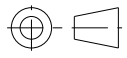
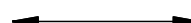

D

NOTES:

- 1) "FCI", PART NUMBER AND DATE CODE TO BE MARKED ON THIS SURFACE.
THE MARK CAN BE OMITTED IF THERE IS NOT ENOUGH SPACE ON THIS SURFACE.
- 2) MATERIALS:
-HOUSING - GLASS FILLED WITH HIGH TEMP THERMOPLASTIC, UL94V-0.
-SIGNAL CONTACT - COPPER ALLOY.
-POWER CONTACT - HIGH CONDUCTIVITY COPPER ALLOY.
- 3) PLATING SPECIFICATION REFER TO FCI 10116351
- 4) DENOTES CONNECTOR KEEP OUT ZONE.
- 5) DATUM AND BASIC DIMENIONS WERE ESTABLISHED BY CUSTOMER.
- 6) ALL HOLE DIAMETERS ARE FINISHED HOLE SIZES.
- 7) 1.15 ± 0.025 MM DRILLED HOLE PLATED WITH 0.00762MM MIN Sn
OVER 0.0254-0.0762MM Cu PLATING TO ACHIEVE A 1.02 ± 0.07 MM HOLE.
- 8) PRODUCT SPECIFICATION REFER TO FCI GS-12-658.
APPLICATION SPECIFICATION REFER TO FCI GS-20-141.
PRODUCT PACKAGED IN TRAYS, REFER TO FCI GS-14-1502.
- 9) THE VOID CORING IN BETWEEN POWER MODULES, SIGNAL
MODULES AND END MODULES ARE OPTIONAL AND THE SHAPE
MAY BE DIFFERENT FOR OPTIMIZE THE MOLDING PROCESS. THE
VOID CORING WILL NOT EFFECT TO PRODUCT FUNCTION.



Copyright FCI.

dr	Rainbow Zhan	2014/06/18	projection 	MM 	size	A3	scale	1:1
eng	Rainbow Zhan	2014/07/03			ecn no	-		
chr	Li-He	2014/07/03			rel level	Released		
appr	Pei-Ming Zheng	2014/07/03			product family	PowerBlade+		
		title 108S + 5LP VT STB RECEPTACLE		dwg no 10106268-0527001	rev A			
www.fci.com		cat. no.	Product - Customer Drw		sheet 3 of 3			