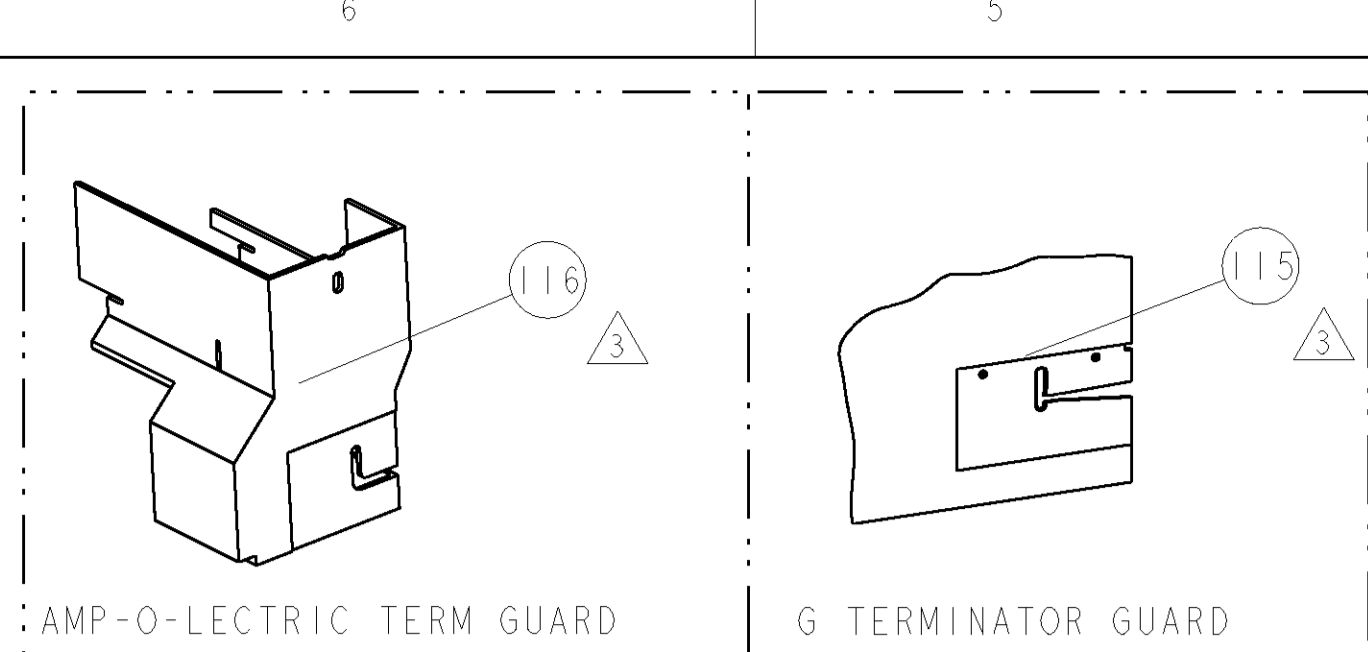


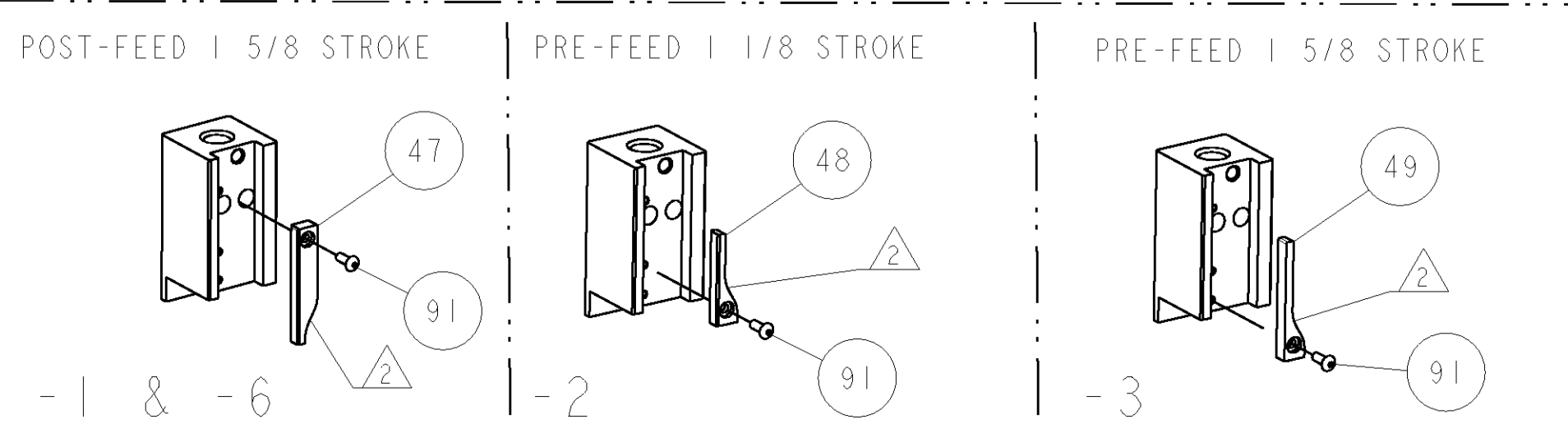
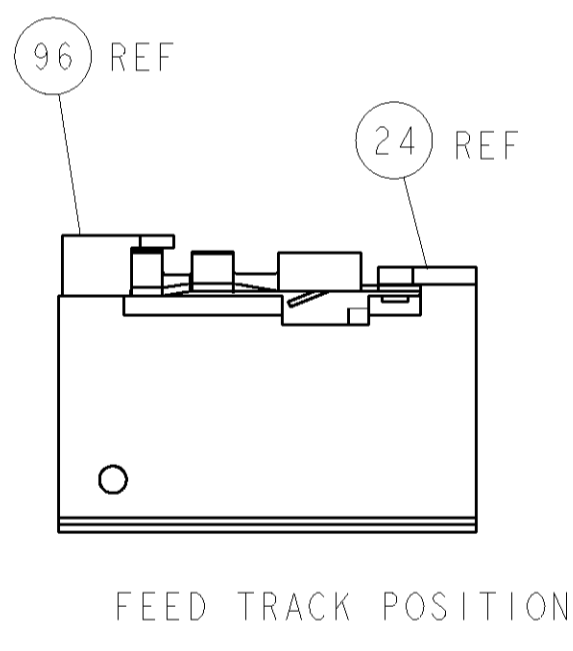
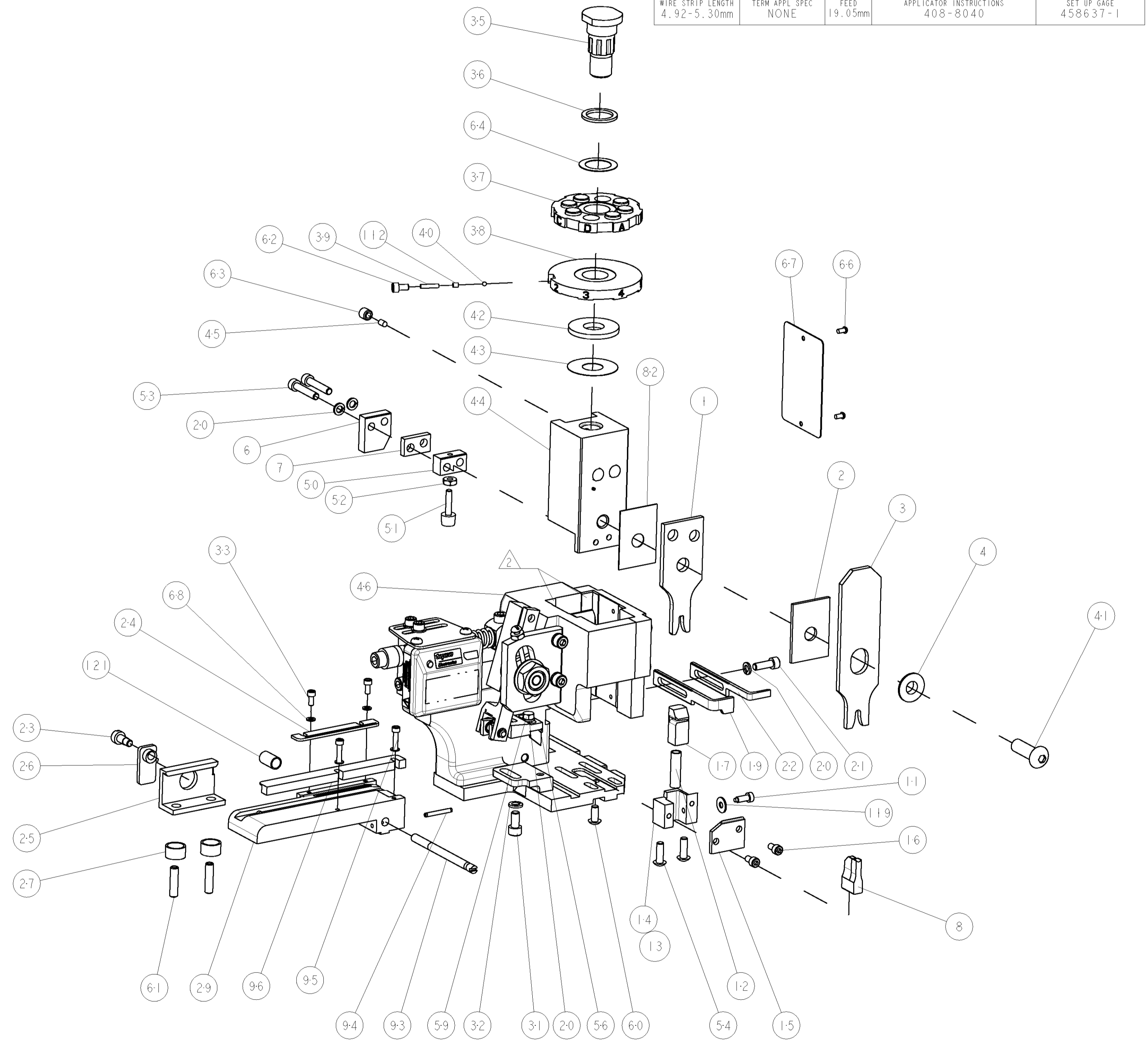
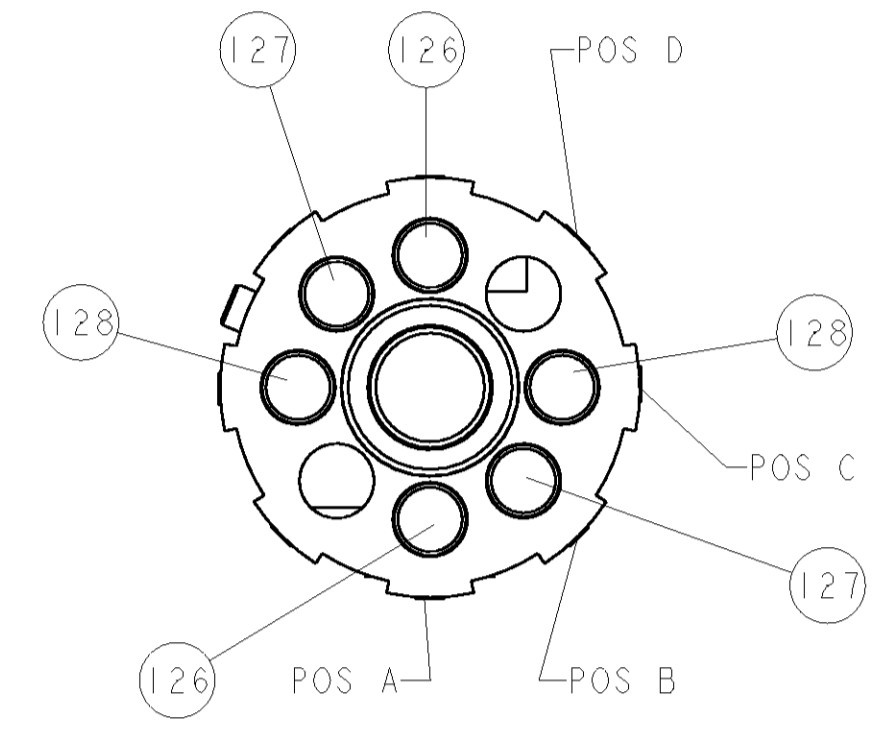
PART NUMBER	REV	FIRST USED	POWER UNIT	FEED TYPE	DESCRIPTION
1852564-1	A	122500-1	LEADMAKER	POST FEED	CUTS CARRIER
1852564-2	A	565435-5	BENCH MODEL K	PRE FEED	CUTS CARRIER
1852564-3	A	354500-1	BENCH MODEL G	PRE FEED	CUTS CARRIER
1852564-6	B	122500-1	LEADMAKER	POST FEED	CONTINUOUS CARRIER
7-1852564-7	A	-	-	-	SPARE PARTS



TE PN		MANF PN	PACKARD TERMINAL - PACKARD CRIMP SPECS		
1949514	-	06288218	-	-	
-	-	-	CRIMP HEIGHT	WIRE SIZE	
-	-	A	1.6±0.05mm [.063±.002]	2.0mm2 or 14 AWG	
-	-	B	1.57±0.05mm [.062±.002]	1.5mm2 or 16 AWG	
-	-	C	1.55±0.05mm [.061±.002]	1.0mm2 or 18 AWG	
-	-	D	-	-	
WIRE STRIP LENGTH		TERM APPL SPEC	FEED	APPLICATOR INSTRUCTIONS	SET UP GAGE
4.92-5.30mm		NONE	19.05mm	408-8040	458637-1

LOC	DIST	REVISIONS				
A	66	P LTR	DESCRIPTION	DATE	DWN	APVD
-	-	A	PRODUCT RELEASE	15NOV2007	CMR	TE
-	-	B	ECR-08-015669	23JUN2008	MY	GB

- △ RECOMMENDED SPARE PARTS
- △ GREASE LIGHTLY
- △ GUARD MUST BE IN PLACE WHEN OPERATING APPLICATOR IN A BENCH MACHINE



- 2	2	2	2	-	3-354779-0	PIN, WIRE DISC, .3140	128	
- 2	2	2	2	-	2-354779-7	PIN, WIRE DISC, .3125	127	
- 2	2	2	2	-	2-354779-4	PIN, WIRE DISC, .3110	126	
- 1	1	1	1	-	1-22281-8	SPRING, COMPRESSION	121	
- 1	1	1	1	-	21055-5	WASHER, FLAT, REG NO 6	119	
-	-	-	-	REF	455749-1	GUARD WINDOW	116	
-77	-6	-3	-2	-1	U/M	PART NO	DESCRIPTION	ITEM NO

△	-	-	REF	-	-	679532-1	INSERT, GUARD	115
-	1	1	1	1	-	690603-1	SPRING ASSIST AMP-O-MATOR APPLICATOR	112
-	1	1	1	1	-	3-690487-4	GUIDE, FRONT STRIP	96
-	2	2	2	2	-	1-21000-5	SCR, SKT HD CAP 4-40 X .500	95
-	1	1	1	1	-	4-21028-0	PIN, SLOTTED SPRING .094 X .750	94
-	1	1	1	1	-	690432-3	ADJUSTMENT SCREW	93
-	1	1	1	1	-	1-21002-7	SCR, BTN SKT HD CAP 6-32 X .375	91
-	1	1	1	1	-	455888-4	SPACER, CRIMPER	82
-	1	1	1	1	-	4088040	SF APPL INST 408-8040	72
-	1	1	1	1	-	217238-1	GENERAL INSTRUCTION PKG	71
-	4	4	4	4	-	21024-2	WASHER, SPRG LOCK, REG NO 4	68
-	1	1	1	1	-	461264-1	PLATE, IDENTIFICATION	67
-	2	2	2	2	-	21017-2	SCREW, DRIVE	66
-	1	1	1	1	-	986950-1	WASHER, FLAT PRECISION	64
-	1	1	1	1	-	21009-2	SCR, SET, SELF LOCKING 1/4-20 X .250	63
-	1	1	1	1	-	23030-1	SCR, SKT HD CAP 6-32 X .25	62
-	2	2	2	2	-	5-21006-6	SCR, SET, CUP POINT 10-32 X .750	61
-	1	1	1	1	-	22733-8	SCR, BHSC, SELF-LOCKING, 8-32 X .375	60
-	1	1	1	1	-	2-22603-0	SCR, HEX HD CAP 8-32 X .312	59
-	1	1	1	1	-	3-694433-9	FEED PAWL	56
-	2	2	2	2	-	2-21002-2	SCR, BTN SKT HD CAP 8-32 X .500	54
-	2	2	2	2	-	3-21000-0	SCR, SKT HD CAP 8-32 X .875	53
-	1	1	1	1	-	21018-5	NUT, HEX, REG 6-32	52
-	1	1	1	1	-	811242-2	BUMPER, HOLD DOWN	51
-	1	1	1	1	-	690753-1	SPACER, TONKER	50
-	-	-	-	-	..	690602-6	CAM, PRE FEED, 1 5/8	49
-	-	-	-	-	..	690602-5	CAM, PRE FEED, 1 1/8	48
-	1	-	-	-	-	690501-4	CAM, POST-FEED 1 5/8	47
-	1	1	1	1	-	459456-1	APPL. BASIC SUB ASSY (SIDE WISE MQCA)	46
-	1	1	1	1	-	690191-1	PLUG, NYLON	45
-	1	1	1	1	-	455673-1	RAM, SIDE FEED	44
-	1	1	1	1	-	690125-1	SHIM SUB-ASSY	43
-	1	1	1	1	-	690124-1	WASHER, RAM (.115)	42
-	1	1	1	1	-	7-21002-9	SCR, BTN SKT HD CAP 5/16-24 X 1.00	41
-	1	1	1	1	-	23241-6	BALL, STEEL	40
-	1	1	1	1	-	690170-1	SPRING, COMPRESSION	39
-	1	1	1	1	-	690142-1	DISC, INSULATION	38
-	1	1	1	1	-	354777-1	WIRE DISC, ASSEMBLY	37
-	1	1	1	1	-	22480-5	SPRING, COMPRESSION	36
-	1	1	1	1	-	690212-1	POST, RAM	35
-	2	2	2	2	-	1-21000-3	SCR, SKT HD CAP 4-40 X .250	33
-	1	1	1	1	-	21024-5	WASHER, SPRG LOCK, REG NO 10	32
-	1	1	1	1	-	3-21000-4	SCR, SKT HD CAP 10-32 X .375	31
-	1	1	1	1	-	1-844048-1	PLATE, REAR STRIP GUIDE	29
-	2	2	2	2	-	1-22284-0	SPRING, COMPRESSION	27
-	1	1	1	1	-	356835-1	LEVER, DRAG RELEASE	26
-	1	1	1	1	-	240792-1	DRAG, TERMINAL	25
-	1	1	1	1	-	690438-2	FRONT STRIP GUIDE	24
-	1	1	1	1	-	22353-8	SCR, SHLD, SLOT HD, 3/16 DIA	23
-	1	-	-	-	-	690472-2	STRIPPER	22
-	1	1	1	1	-	2-21000-7	SCR, SKT HD CAP 8-32 X .500	21
-	4	4	4	4	-	21024-4	WASHER, SPRG LOCK, REG NO 8	20
-	-	-	-	-	-	691353-1	STRIPPER	19
△	1	1	1	1	-	690463-2	FLOATING SHEAR, REAR	17
△	2	2	2	2	-	1-21000-8	SCR, SKT HD CAP 6-32 X .250	16
△	1	1	1	1	-	1-690691-5	PLATE, REAR SHEAR	15
△	-	-	-	-	-	690462-1	SHEAR HOLDER, REAR	14
-	1	-	-	-	-	681023-1	SHEAR HOLDER, CONT CARRIER	13
-	1	1	1	1	-	3-22280-3	SPRING, COMPRESSION	12
-	1	1	1	1	-	690461-1	STOP, SHEAR	11
-	-	-	-	-	..	-	-	10
-	-	-	-	-	..	-	-	9
△	1	1	1	1	-	5-1633535-0	ANVIL, COMBINATION	8
-	1	1	1	1	-	2-240641-4	SPACER	7
-	1	1	1	1	-	1-690468-8	DEPRESSOR SHEAR, REAR	6
-	1	1	1	1	-	238009-1	BLOCK, FL CRIMPER SPACER	4
△	1	1	1	1	-	1-904741-3	CRIMPER, INSUL O PREMIUM	3
△	1	1	1	1	-	1-455888-7	SPACER, CRIMPER	2
△	1	1	1	1	-	8-1673600-3	CRIMPER, WIRE	1

DIMENSIONS:		TOLERANCES UNLESS OTHERWISE SPECIFIED:		DRAWING NO		DESCRIPTION		ITEM NO
INCHES	9 PLC ±.001	3 PLC ±.01	4 PLC ±.0001	030012007	030012007	030012007	030012007	1
MATERIAL	FINISH	WEIGHT	CUSTOMER DRAWING	SCALE	SHEET	OF	REV	B

CUSTOMER VIEWABLE ASSEMBLY