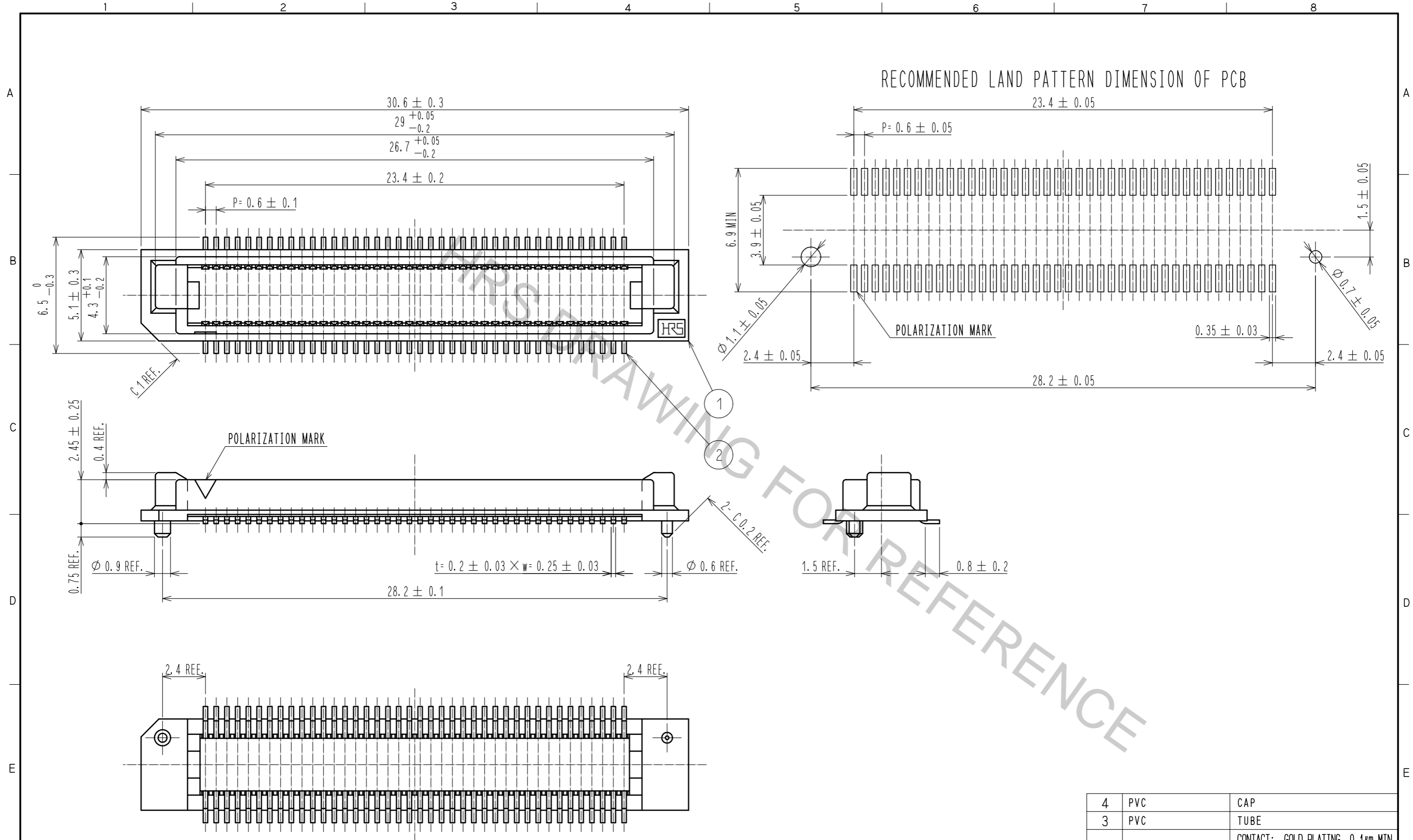


Apr.1.2017 Copyright 2017 HIROSE ELECTRIC CO., LTD. All Rights Reserved.

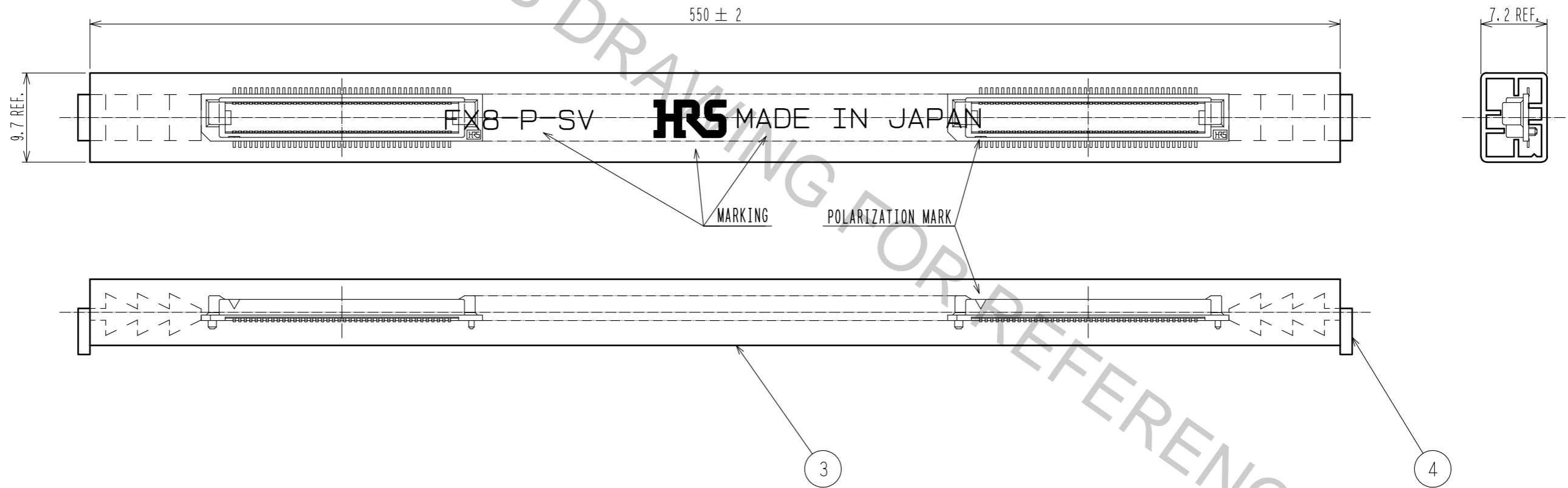


NOTE

1. SMT LEAD-COPLANARITY:0.1 MAX.
2. TUBE PACKAGE IS APPLIED FOR THIS PRODUCT. PLEASE REFER TO THE SHEET 2/2 FOR THE DETAILS.
3. FOR MODIFICATION, ETC., PREVENTIVE HOLE FOR SINK MARK MAY BE ADDED ACCORDING TO CIRCUMSTANCES.

4	PVC	CAP
3	PVC	TUBE
2	PHOSPHOR BRONZE	CONTACT: GOLD PLATING 0.1µm MIN LEAD : GOLD PLATING 0.03µm MIN UNDER :NICKEL PLATING 0.5µm MIN
1	PPS	LIGHT BROWN, UL94V-0
NO.	MATERIAL	FINISH . REMARKS
UNITS	mm	SCALE 5:1
		COUNT
		DESCRIPTION OF REVISIONS
		DESIGNED
		CHECKED
		DATE
APPROVED :NH. NAKATA		16.11.21
CHECKED :HT. YAMAGUCHI		16.11.21
DESIGNED :MT. ITANO		16.11.21
DRAWN :MT. ITANO		16.11.21
DRAWING NO.		EDC-150736-91-00
PART NO.		FX8-80P-SV(91)
CODE NO.		CL578-0003-1-91

DRAWING FOR PACKING(FREE)



NOTE 4. 1TUBE : 17CONNECTORS.

HRS	DRAWING NO.	EDC-150736-91-00
	PART NO.	FX8-80P-SV(91)
	CODE NO.	CL578-0003-1-91
		2/2