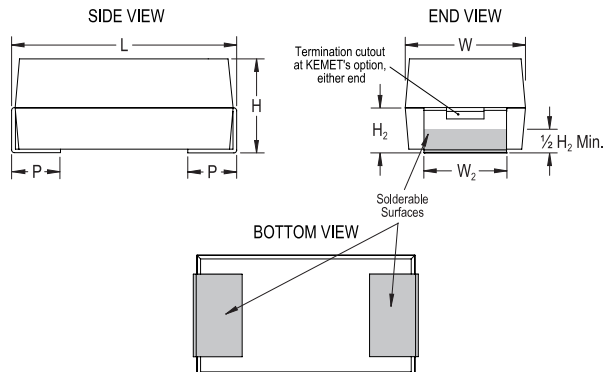


**KEMET Part Number: CWR29HC107KBHC**  
(T429H107K015BC4252)



T429\_CWR29, Tantalum, MnO2 Tantalum, Military/High Reliability, 100 uF, 10%, 15 VDC, SMD, MnO2, Molded, Military Equivalent, Low ESR, B (0.1%/1000 Hrs), 180 mOhms, 7238, Height Max = 3.17mm



Dimensions	
Footprint	7238
L	7.24mm +/-0.38mm
W	3.81mm +/-0.38mm
H	2.79mm +/-0.38mm
S	1.27mm +0.025/-0.13mm
F	3.68mm +0.13/-0.51mm
A	4.7mm NOM
K	1.52mm MIN
P	0.76mm MIN

Packaging Specifications	
Weight:	349.01 mg
Packaging:	T&R, 178mm
Packaging Quantity:	500

General Information	
Supplier:	KEMET
Series:	T429_CWR29
Dielectric:	MnO2 Tantalum
Style:	SMD Chip
Description:	SMD, MnO2, Molded, Military Equivalent, Low ESR
RoHS:	No
Termination:	Hot Solder Dipped
Qualifications:	MIL-PRF-55365/11, CWR29 Style
Notes:	Note: When Option C Is Selected For Lead Material, Add An Additional 0.38mm To The Tolerances For "L", "W", "H", "K", "F" And "S". P And R Dimensions Represents The Minimum Solderable Area Of The Termination Surface Entirely Below Cutout (If One Is Present)

Specifications	
Capacitance:	100 uF
Capacitance Tolerance:	10%
Voltage DC:	15 VDC (85C), 10.05 VDC (125C)
Temperature Range:	-55/+125C
Rated Temperature:	85C
Dissipation Factor:	10.00%
Failure Rate:	B (0.1%/1000 Hrs)
Resistance:	0.18 Ohms (100kHz)
Leakage Current:	15 uA (20C)
Testing and Reliability:	Surge Testing At -55C And +85C Before Weibull

Statements of suitability for certain applications are based on our knowledge of typical operating conditions for such applications, but are not intended to constitute - and we specifically disclaim - any warranty concerning suitability for a specific customer application or use. This Information is intended for use only by customers who have the requisite experience and capability to determine the correct products for their application. Any technical advice inferred from this Information or otherwise provided by us with reference to the use of our products is given gratis, and we assume no obligation or liability for the advice given or results obtained.

