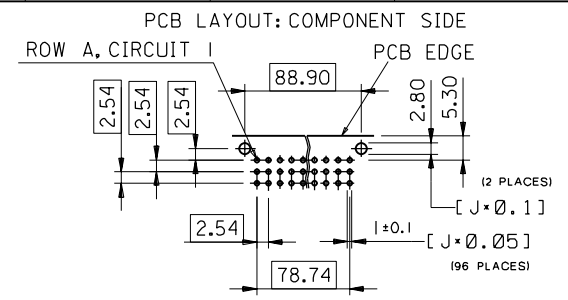
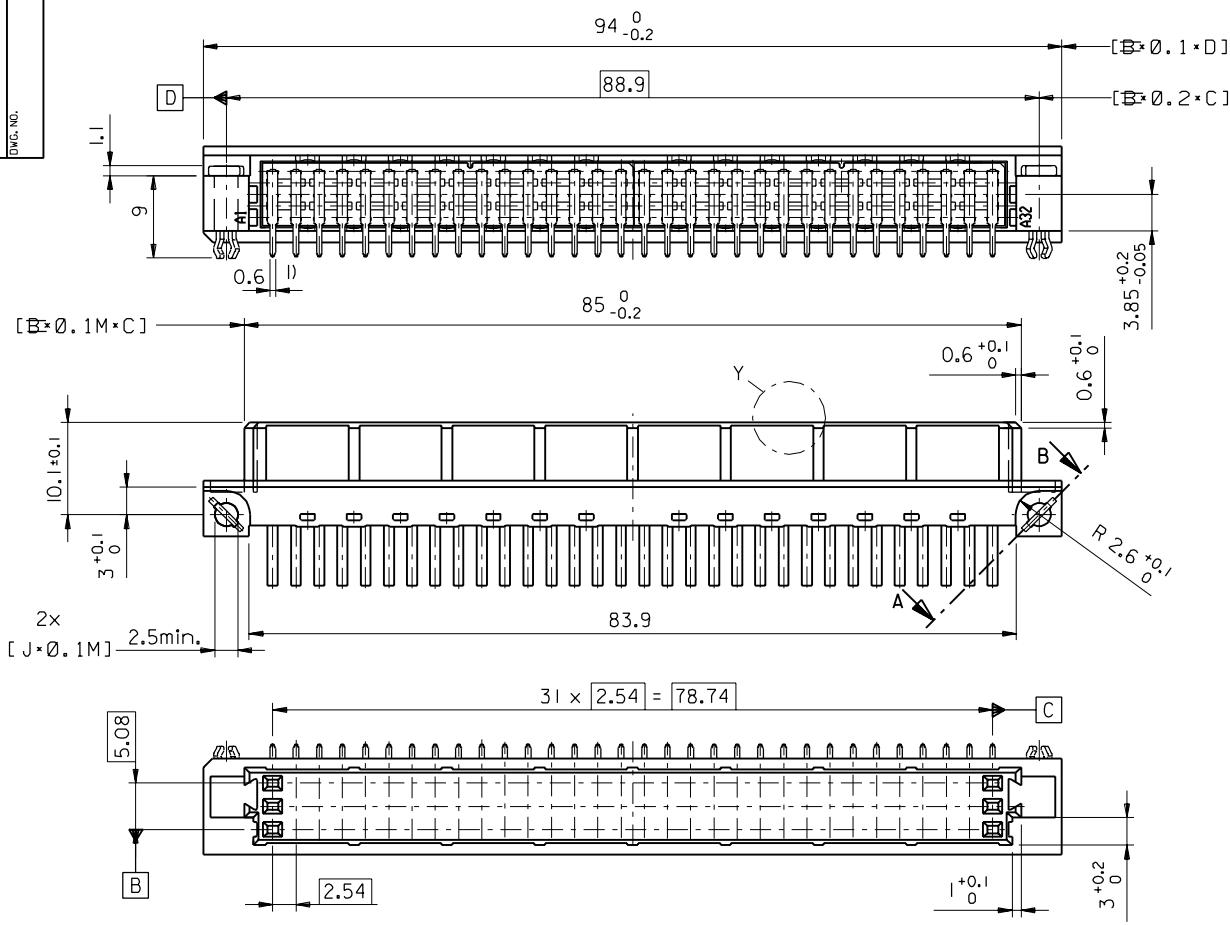
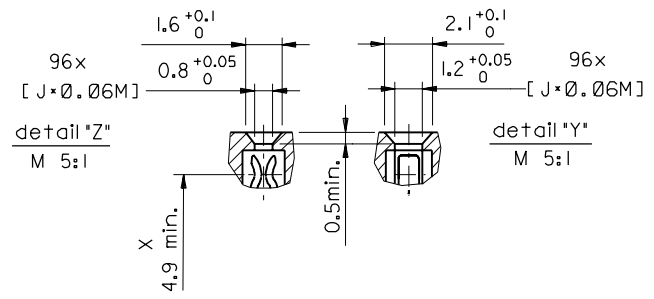
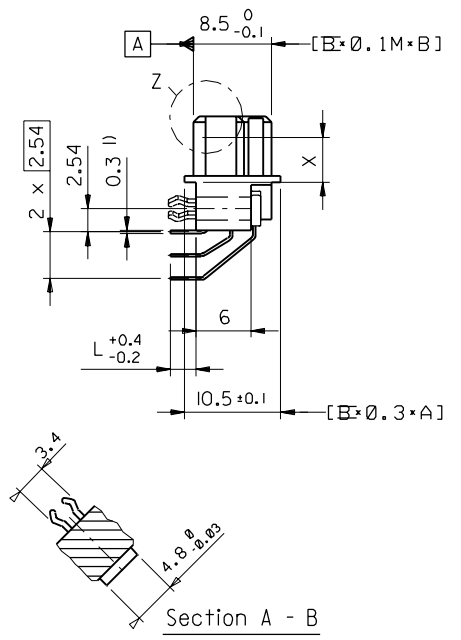


PART NO.
DWG. NO.



1) tails to fit in PC-board layout



FIRST ANGLE PROJECTION

DRWG BY	KN	SIGN
CHK'D BY	Ca	SIGN
APP'D BY	JB	SIGN
SCALE	2:1	

UNLESS OTHERWISE SPECIFIED TOLERANCES: ANGULAR ±2°
INCH METRIC

3 PLACE ±	±
2 PLACE ±	±
1 PLACE ±	±

DRAFT WHERE APPLICABLE MUST REMAIN WITHIN DIMENSIONS

DESIGN DIMENSION	<input checked="" type="checkbox"/> MM
	<input type="checkbox"/> IN.
EQUIVALENT DIMENSION	<input type="checkbox"/> MM
	<input type="checkbox"/> IN.

IF TWO DIMENSIONS ARE SHOWN THE UPPER IS THE DESIGN DIMENSION, LOWER IS SECONDARY

2	B1
SH.	REV.
REVISIONS	
ECN MG1998-2586 hole pattern/L+0.4-0.2 97-09-15 KN	
FOR PREVIOUS REVISIONS SEE MRL LIST	
LTR	
BI	

REVISIONS	
UNLESS OTHERWISE SPECIFIED TOLERANCES: ANGULAR ±2° INCH METRIC	
3 PLACE ± ±	
2 PLACE ± ±	
1 PLACE ± ±	
DRAFT WHERE APPLICABLE MUST REMAIN WITHIN DIMENSIONS	
DESIGN DIMENSION <input checked="" type="checkbox"/> MM <input type="checkbox"/> IN.	
EQUIVALENT DIMENSION <input type="checkbox"/> MM <input type="checkbox"/> IN.	
IF TWO DIMENSIONS ARE SHOWN THE UPPER IS THE DESIGN DIMENSION, LOWER IS SECONDARY	

CAD/CAM PROJECT NAME 85052000 611		THIS DRAWING CONTAINS INFORMATION THAT IS PROPRIETARY TO MOLEX INC. & SHOULD NOT BE USED WITHOUT WRITTEN PERMISSION	
TITLE 96 pos. female connector DIN 41612 style R + clip Dimensions			
MOLEX MOLEX EUROPE		SHEET NO. DATE 1 OF 2 96/04/25	
PART NO.		DWG NO. SDA-85052-0001	
SIZE		B	