

4

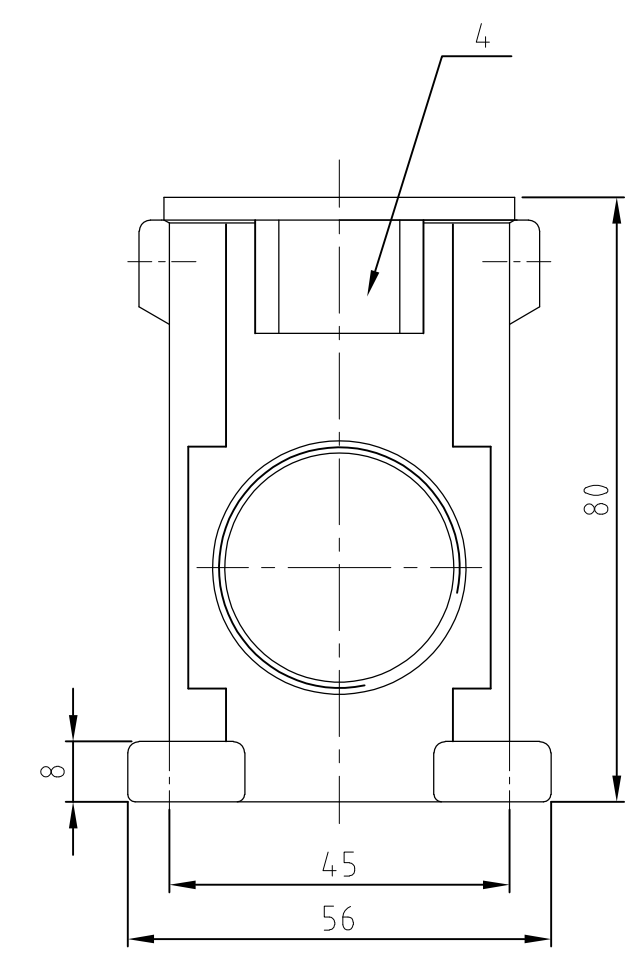
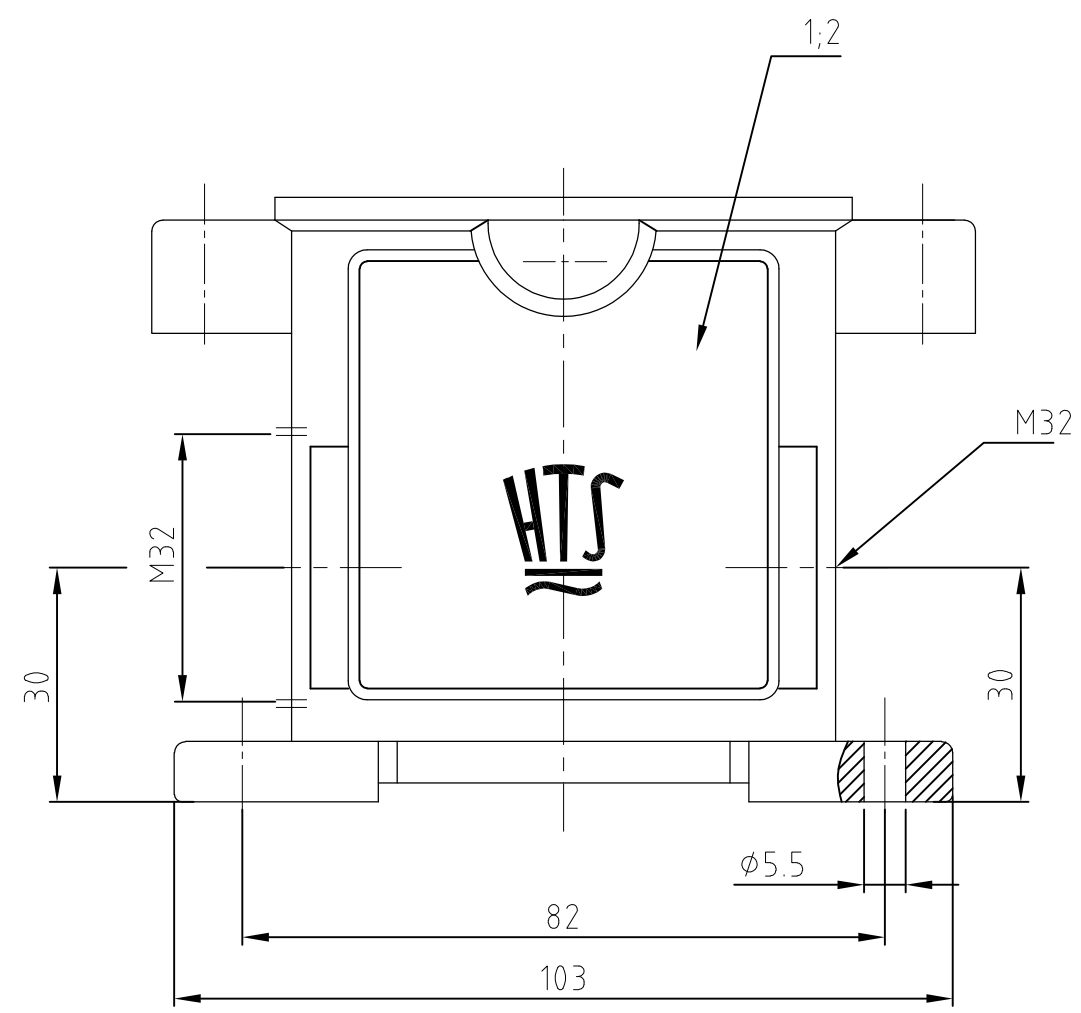
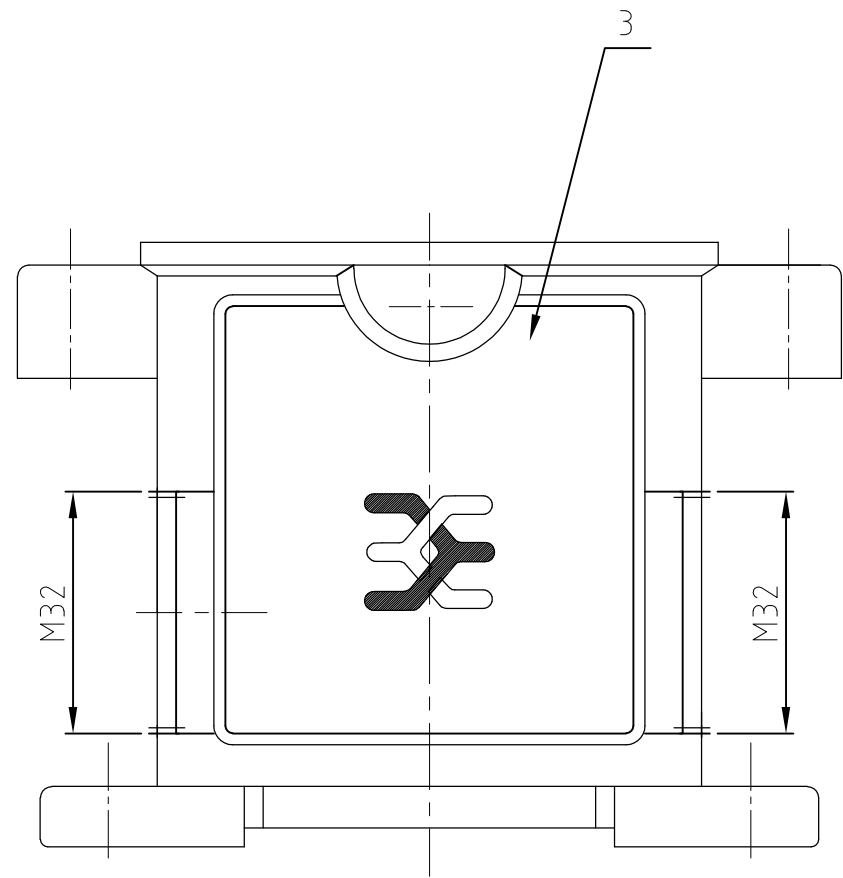
3

2

1

THIS DRAWING IS UNPUBLISHED. VERTRÄULICHE UNVERÖFFENTLICHTE ZEICHNUNG. RELEASED FOR PUBLICATION. FREI FUER VERÖFFENTLICHUNG. 1998. MATED WITH: PASSEND ZU: Bg4. LOC: A1. DIST: -.

COPYRIGHT 1998	BY AMP INCORPORATED. ALL RIGHTS RESERVED. ALLE RECHTE VORBEHALTEN.	REVISIONS			DATE	DWN	APVD
		DESCRIPTION	DATE	DWN			
		A4			20.05.2010	SR	AR



Notes,

- 1 Material: Housing: aluminium diecasting alloy
- 2 Surface: Varnish-grey chromitAL TCP passivation + Varnish black
- 3 Varnish on the inside not necessarily
- 4 Packaging: 5 Pieces
- 5 Packaging: 50 Pieces

1			DESCRIPTION / BENENNUNG	MATERIAL	SURFACE / OBERFLÄCHE	COLOR / FARBE	ITEM NO. POS.	NOTES / BEMERKUNGEN
			Socketgehäuse EMV-K.10/24	aluminium/ALU	SEE NOTE 2	black/schwarz	4	oohne Logo / Bohrung
	1		Socketgehäuse EMV-K.10/24	aluminium/ALU	SEE NOTE 2	black/schwarz	3	SPECIAL 5
		1	Socketgehäuse EMV-K.10/24	aluminium/ALU	SEE NOTE 2	black/schwarz	2	4
		1	Socketgehäuse EMV.10/24	aluminium/ALU	-	grau/grey	1	4

EMV-K.10/24.SG-N	EMV-K.10/24.SG.2.M32.G-WE	EMV-K.10/24.SG.2.M32.G	EMV.10/24.SG.2.M32.G	<small>THIS DRAWING IS A CONTROLLED DOCUMENT FOR AMP INCORPORATED. IT IS SUBJECT TO CHANGE AND THE CONTROLLING ENGINEERING ORGANIZATION SHOULD BE CONTACTED FOR THE LATEST REVISION. DIESES ZEICHNUNGSDOKUMENT WIRD DURCH AMP INCORPORATED KONTROLLIERT. AENDERUNGEN, DIE DEM TECHNISCHEN FORTSCHRITT DIENEN, SIND VORBEHALTEN. DEN JEWEILS LETZTGÜELTIGEN AENDERUNGSSTAND ERFAHREN SIE AUF ANFRAGE.</small>		DWN	07.10.2002	 HTS Elektrotechnik 53819 Neunkirchen, Germany			
				CHK	07.10.2002						
				APVD	-						
				PRODUCT SPEC	-						
ORDERING TEXT / BESTELLTEXT				<small>DIMENSIONS: DIMENSIONEN: mm</small> 	<small>TOLERANCES UNLESS OTHERWISE SPECIFIED: ALLGEMEINTOLERANZEN</small> <small>ISO 8015</small> <small>ISO 2768 - mH - E</small> <small>DIN 16901 - 14.0</small> <small>0 PLC #</small> <small>1 PLC #</small> <small>2 PLC #</small> <small>3 PLC #</small> <small>ANGLES / WINKEL #</small>	<small>NAME</small> Surface mounted housing side entry Socketgehäuse EMV-K.10/24.SG.2.M32.G					
				<small>MATERIAL</small>	<small>FINISH / OBERFLÄCHE / FARBE</small>	<small>APPLICATION SPEC</small> <small>VERARBEITUNGSSPEZ.</small>	<small>WEIGHT</small> <small>GEWICHT</small>	<small>SIZE</small> A3	<small>CAGE CODE</small> 00779	<small>DRAWING NO</small> <small>ZEICHNUNGS-NR.</small> 1106426	<small>RESTRICTED TO</small> <small>NUR FUER</small>