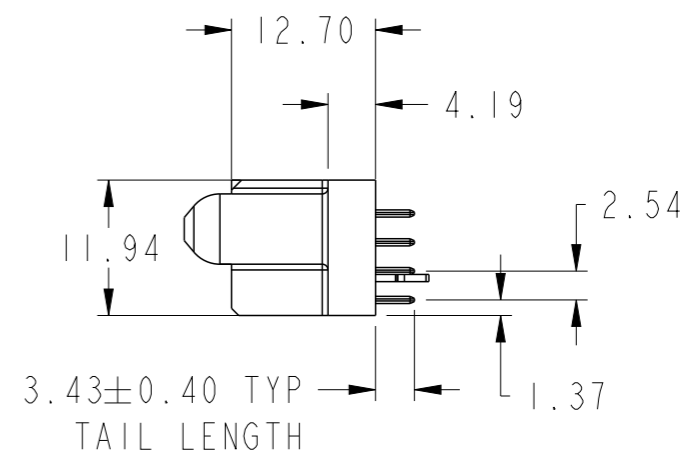
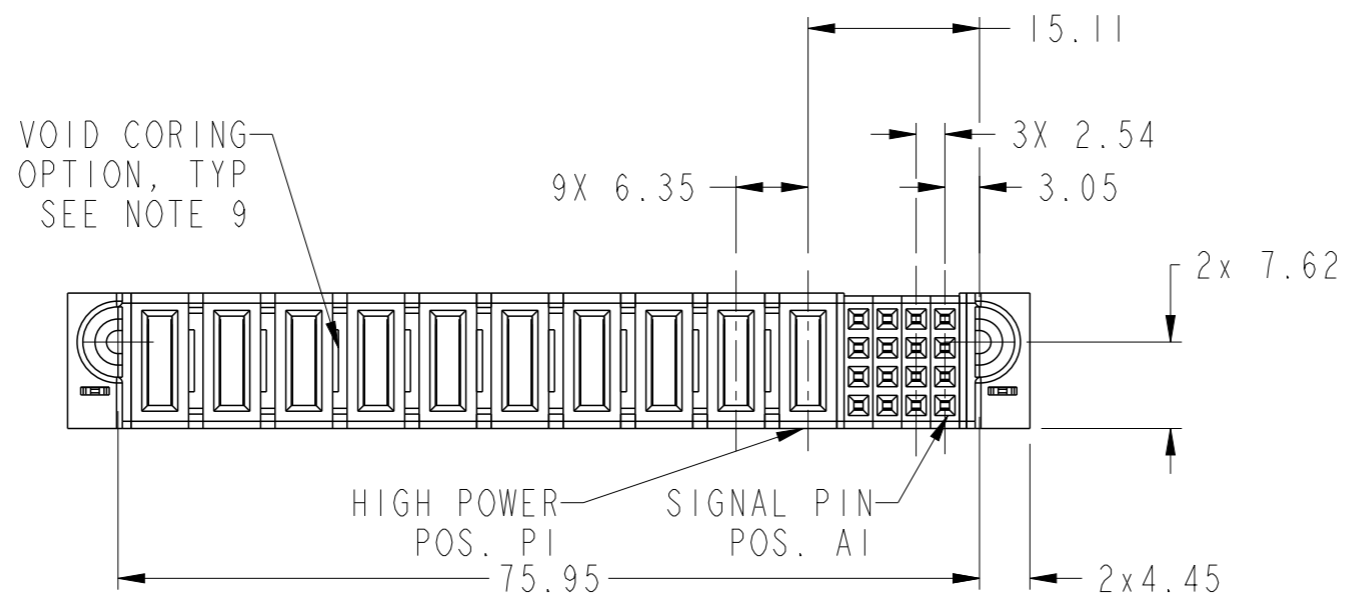
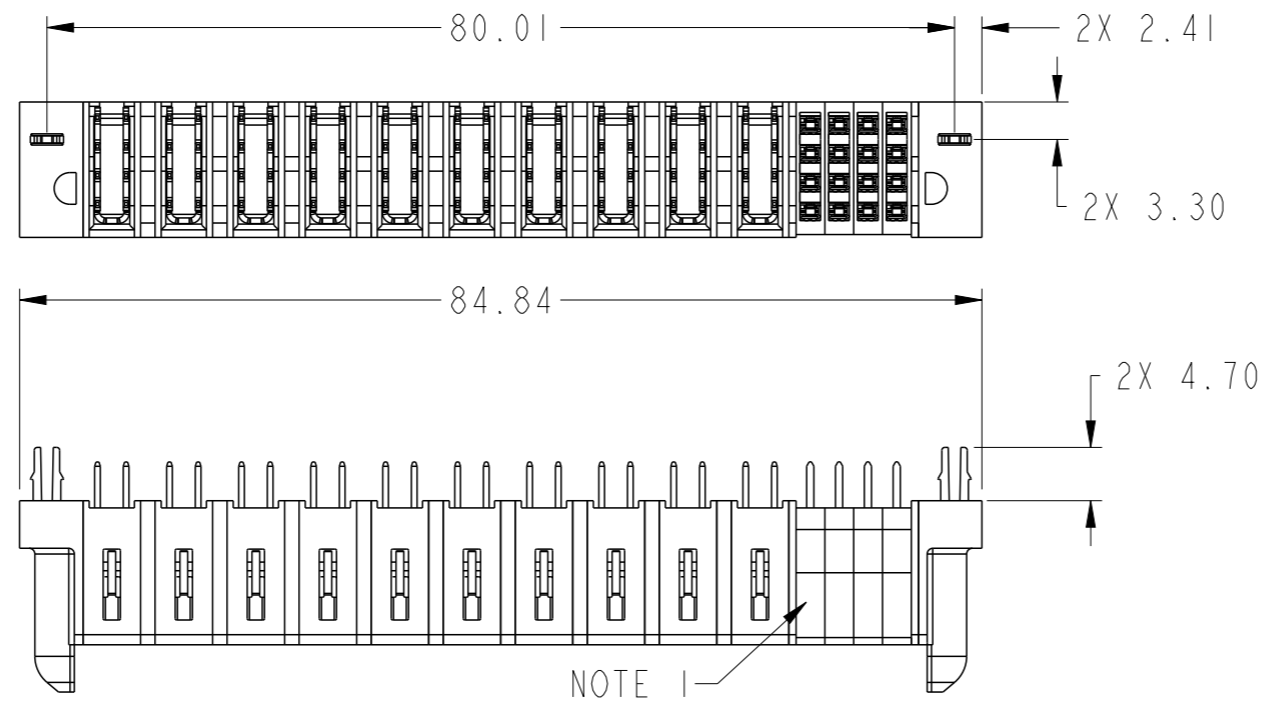


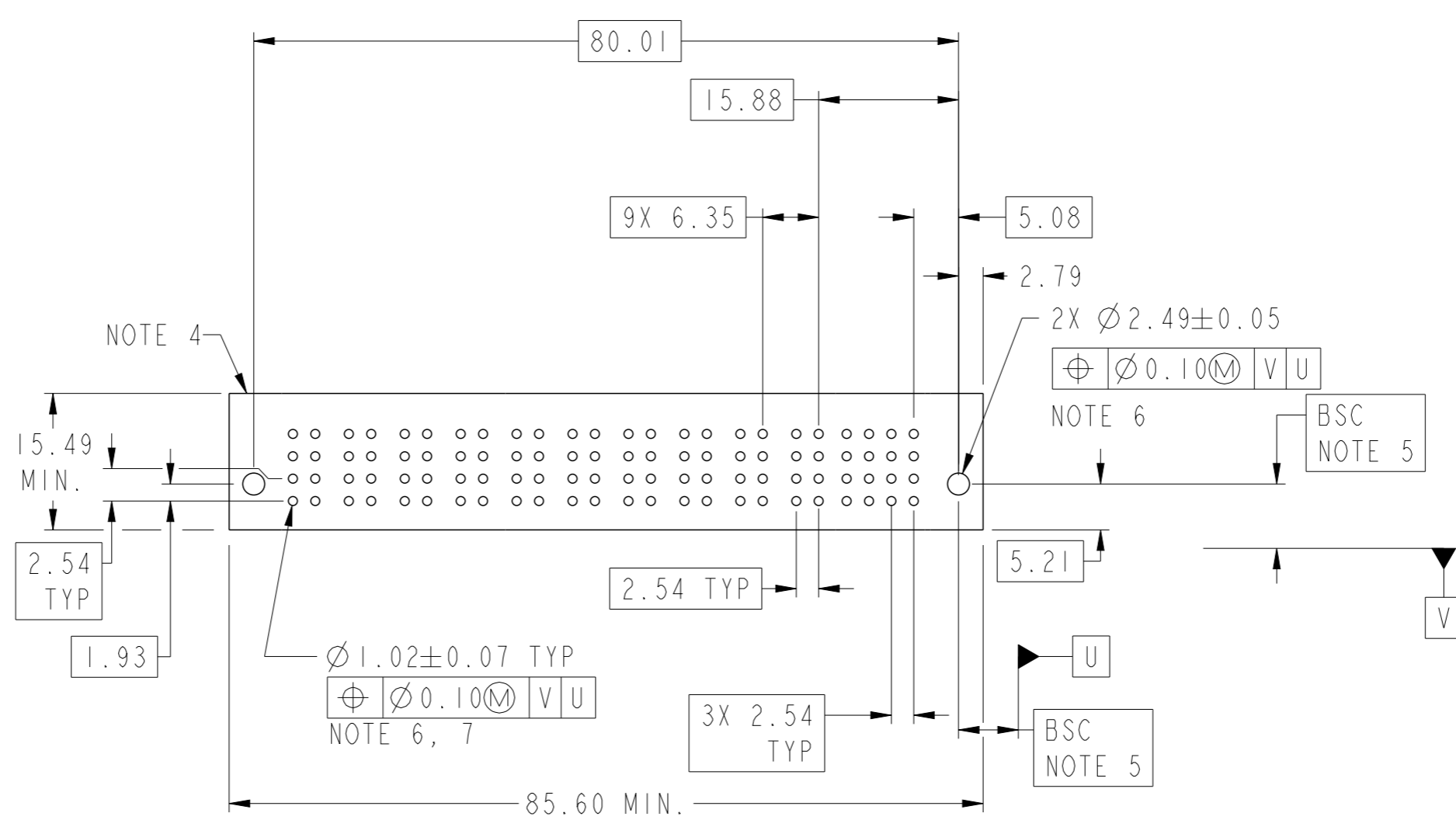
PRODUCT NUMBER SEE SHEET 2



spec ref		dr	Peng-Bing Fu	2013/02/22	projection	MM	size	A3	scale	3:2
tolerance std		eng	Peng-Bing Fu	2013/03/12			ecn no		-	
ASME Y14.5		chr	-	-			rel level		Released	
TOLERANCES UNLESS OTHERWISE SPECIFIED		appr	Pei-Ming Zheng	2013/03/12	product family		PowerBlade+		-	
surface		linear	0.X	±0.50		part no		16S + 10HP		rev A
			0.XX	±0.25		dwg no		10106130-A004101		
			0.XXX	±0.10		cat. no.		Product - Customer Drw		
ASME Y14.5		angular	0°	±2°	www.fci.com		sheet 1 of 3			

PRODUCT NO.	ROWS	HIGH POWER											SIGNAL				
		E1	P10	P9	P8	P7	P6	P5	P4	P3	P2	P1	4	3	2	1	E2
10106130-A004101LF	DCBA	HA	H3	H3	H3	H3	H3	H3	H3	H3	H3	H3	EEEE	EEEE	EEEE	EEEE	HA

CODE	DESCRIPTION
E	STD SIGNAL CONTACT
H3	STD HIGH POWER CONTACT (3.43)
HA	METAL HOLD DOWN



dr	Peng-Bing Fu	2013/02/22	projection	MM	size	A3	scale	3:2
eng	Peng-Bing Fu	2013/03/12			ecn no	-	rel level	Released
chr	-	-						
appr	Pei-Ming Zheng	2013/03/12	product family	PowerBlade+				
			title 16S + 10HP VTSTB RECEPTACLE		dwg no 10106130-A004101	rev A		
www.fci.com			cat. no.		Product - Customer Drw		sheet 2 of 3	

Copyright FCI.

A

B

C

D

A

B

C

D

NOTES:

- 1) "FCI", PART NUMBER AND DATE CODE TO BE MARKED ON THIS SURFACE.
THE MARK CAN BE OMITTED IF THERE IS NOT ENOUGH SPACE ON THIS SURFACE.
- 2) MATERIALS:
-HOUSING - GLASS FILLED WITH HIGH TEMP THERMOPLASTIC, UL94V-0.
-SIGNAL CONTACT - COPPER ALLOY.
-POWER CONTACT - HIGH CONDUCTIVITY COPPER ALLOY.
- 3) PLATING SPECIFICATION REFER TO FCI 10124315
- 4) DENOTES CONNECTOR KEEP OUT ZONE.
- 5) DATUM AND BASIC DIMENSIONS WERE ESTABLISHED BY CUSTOMER.
- 6) ALL HOLE DIAMETERS ARE FINISHED HOLE SIZES.
- 7) 1.15 ± 0.025 MM DRILLED HOLE PLATED WITH 0.00762MM MIN Sn
OVER 0.0254-0.0762MM Cu PLATING TO ACHIEVE A 1.02 ± 0.07 MM HOLE.
- 8) PRODUCT SPECIFICATION REFER TO FCI GS-12-658.
APPLICATION SPECIFICATION REFER TO FCI GS-20-141.
PRODUCT PACKAGED IN TRAYS, REFER TO FCI GS-14-1502.
- 9) THE VOID CORING IN BETWEEN POWER MODULES, SIGNAL
MODULES AND END MODULES ARE OPTIONAL AND THE SHAPE
MAY BE DIFFERENT FOR OPTIMIZE THE MOLDING PROCESS. THE
VOID CORING WILL NOT EFFECT TO PRODUCT FUNCTION.



Copyright FCI.

dr	Peng-Bing Fu	2013/02/22	projection 	MM 	size	A3	scale	1:1
eng	Peng-Bing Fu	2013/03/12			ecn no	-		
chr	-	-			rel level	Released		
appr	Pei-Ming Zheng	2013/03/12	product family	PowerBlade+				
		title		16S + 10HP	dwg no	10106130-A004101	rev	A
www.fci.com		cat. no.	Product - Customer Drw		sheet 3 of 3			