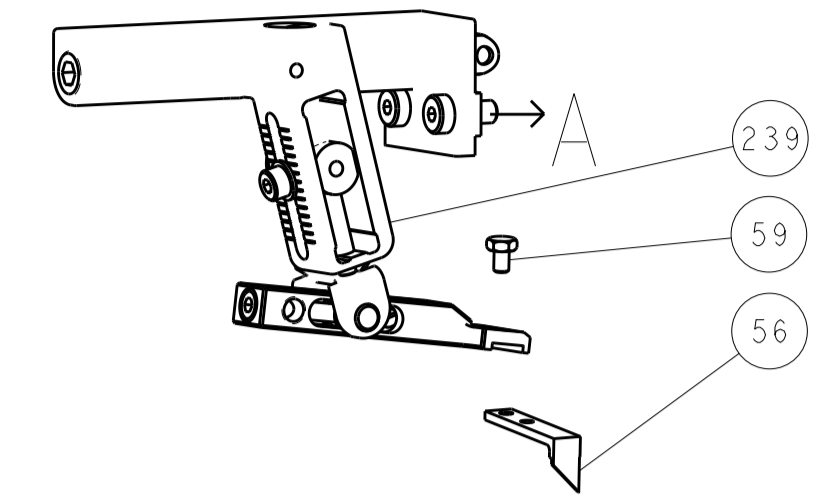
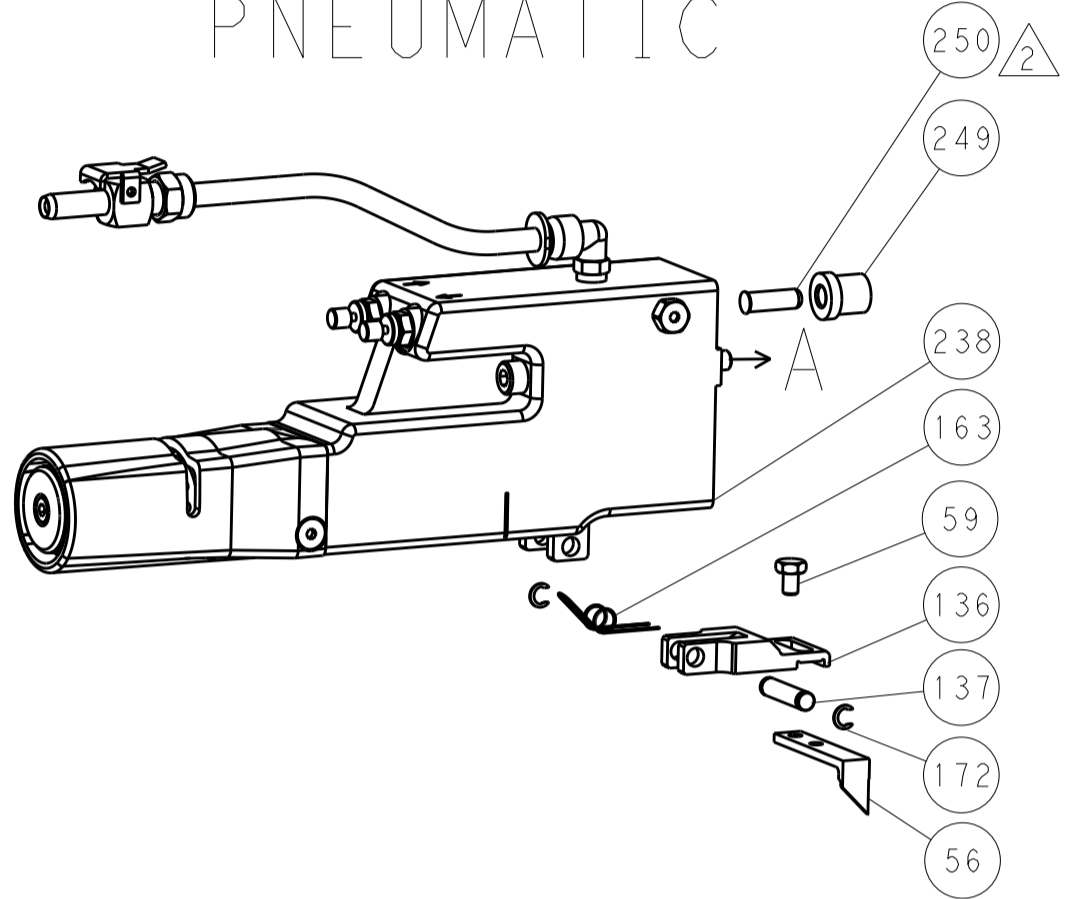


LOC		DIST		REVISIONS			
A	66	P	LTH	DESCRIPTION	DATE	DWN	APVD
		-	-	SEE SHEET 1	-	-	-

FEED TYPE MECHANICAL



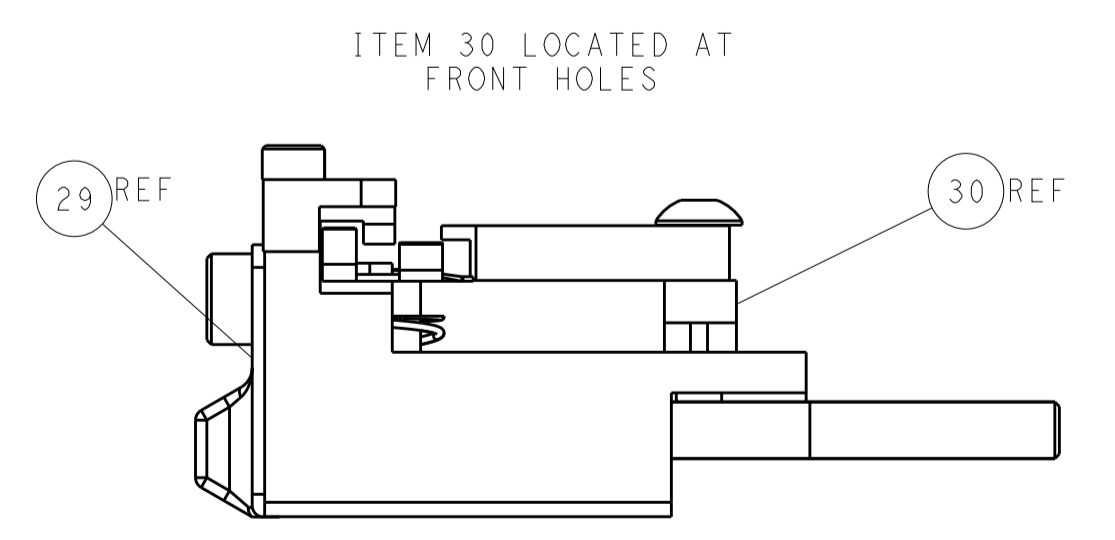
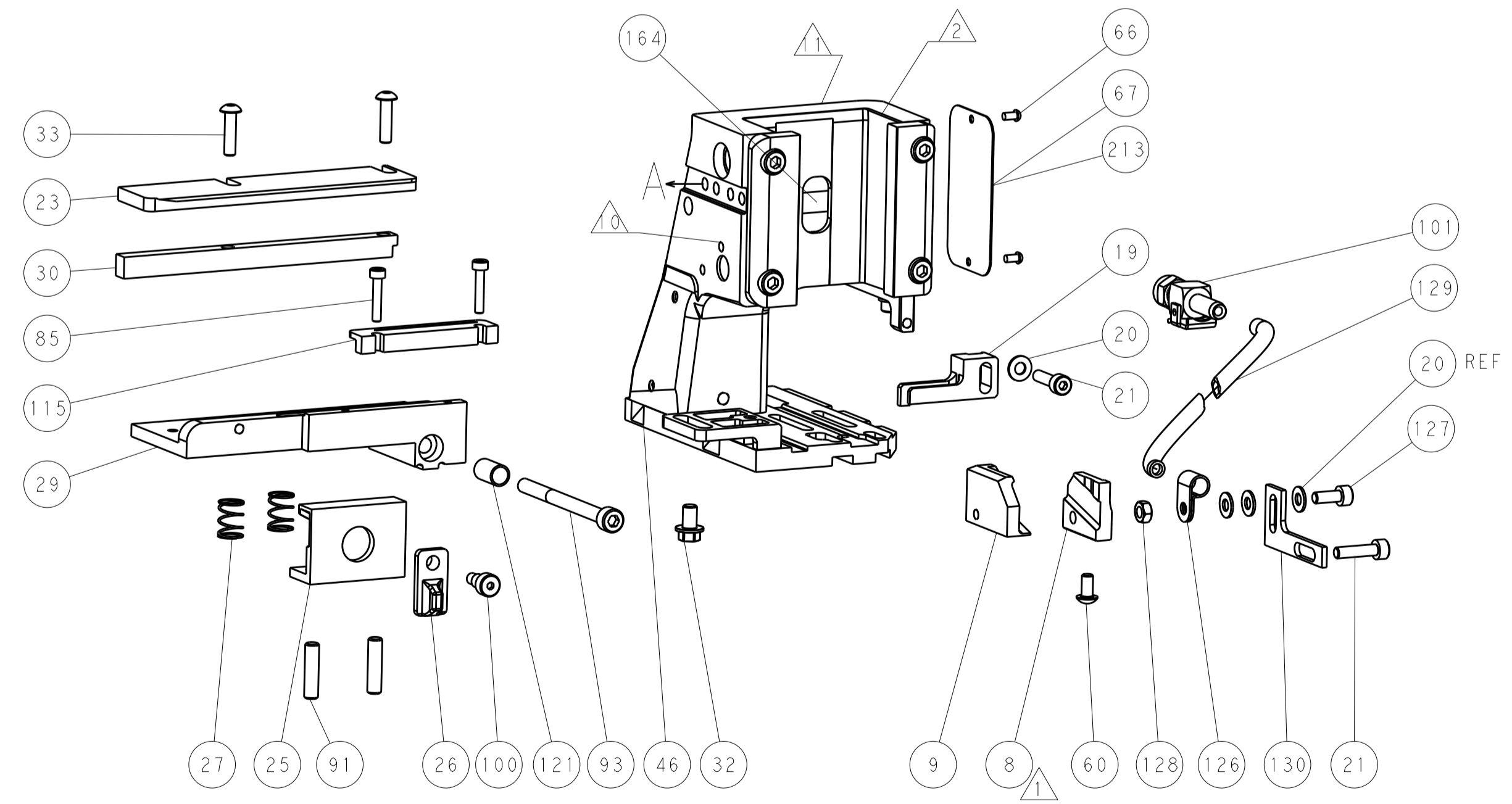
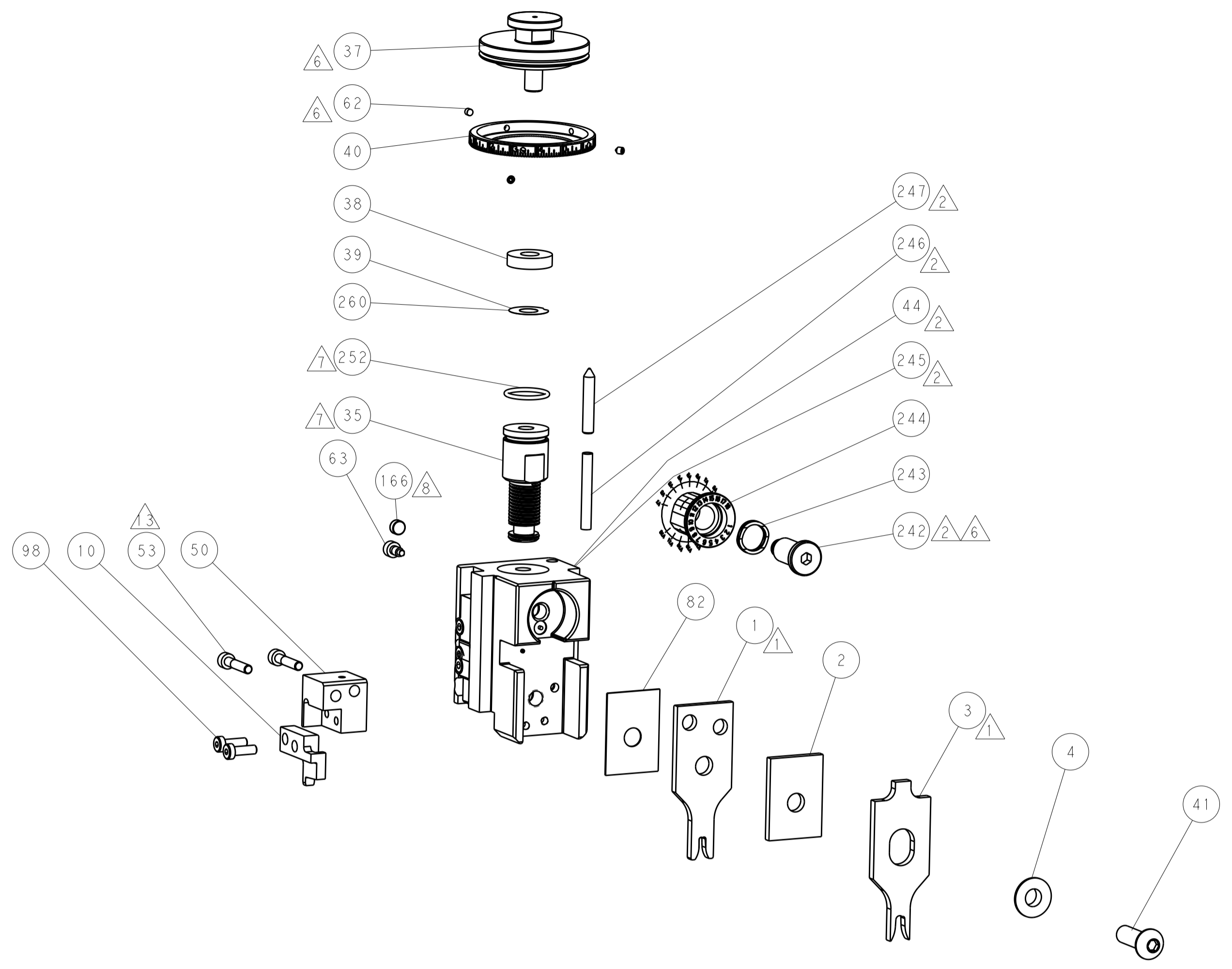
PNEUMATIC



SERVO LATCH PLATE



CAM POSITIONS

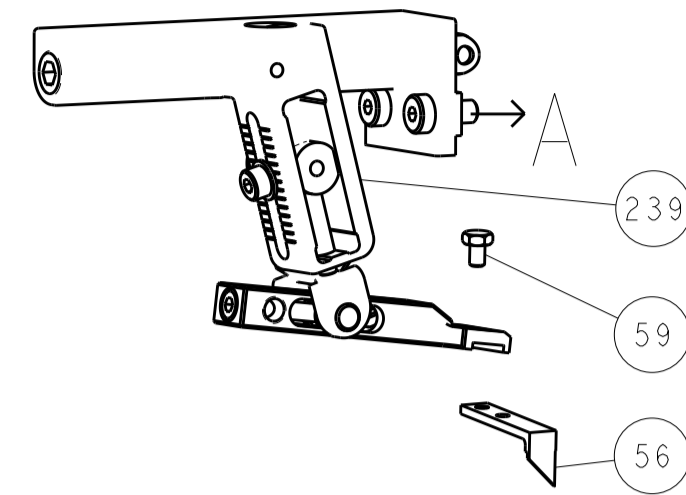


ATLANTIC VERSION
 Shown on sheets 1 of 4 & 2 of 4
 (Pacific version shown on sheets 3 of 4 & 4 of 4)

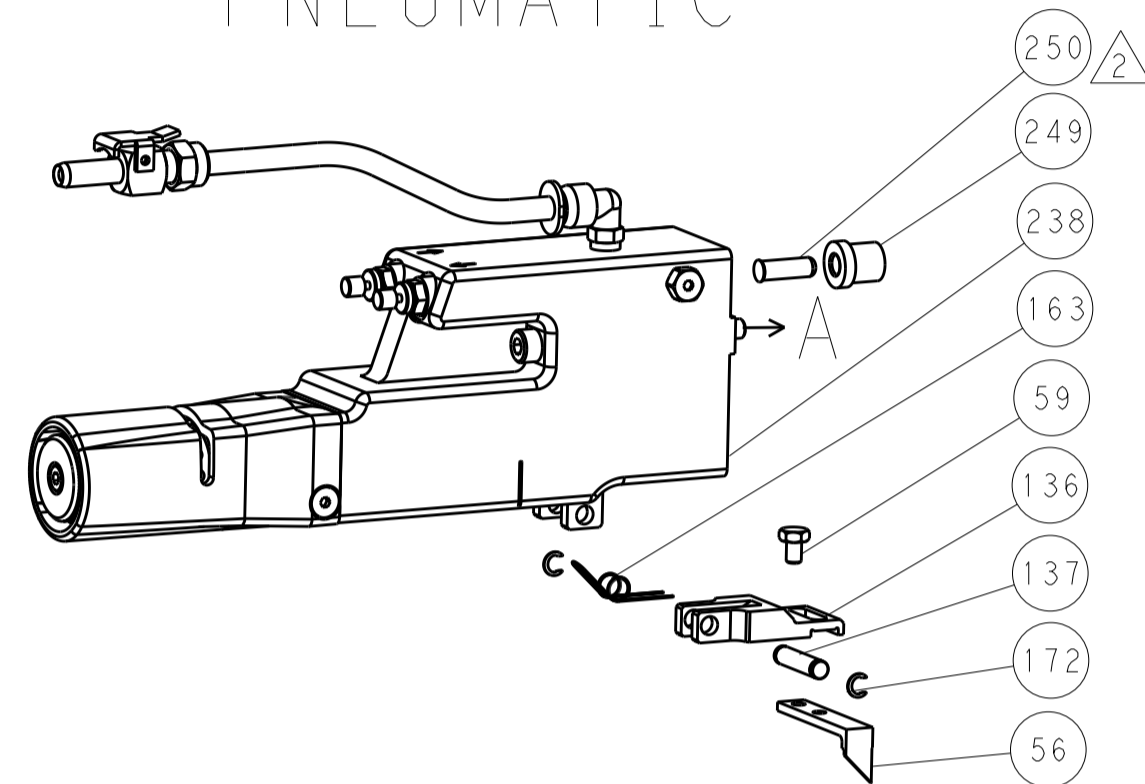
DIMENSIONS:		TOLERANCES UNLESS OTHERWISE SPECIFIED:		DWN S.ZOU 26AUG2011		TE Connectivity	
mm	0 PLC	±		CHK T.ELBIN 26AUG2011	NAME		Harrisburg, PA 17105-3608
	1 PLC	±		APVD S.XI 26AUG2011	Ocean Side Feed		
	2 PLC	±			Applicator		
	3 PLC	±			RESTRICTED TO		
	4 PLC	±			SIZE CAGE CODE DRAWING NO		
	ANGLES	±			A11 00779 ©=2151089		
MATERIAL	FINISH			WEIGHT	CUSTOMER DRAWING	SCALE	1:2 SHEET 2 OF 4 REV C

LOC		DIST		REVISIONS			
A	66	P	LTM	DESCRIPTION	DATE	OWN	APVD
		-	-	SEE SHEET 1	-	-	-

FEED TYPE MECHANICAL



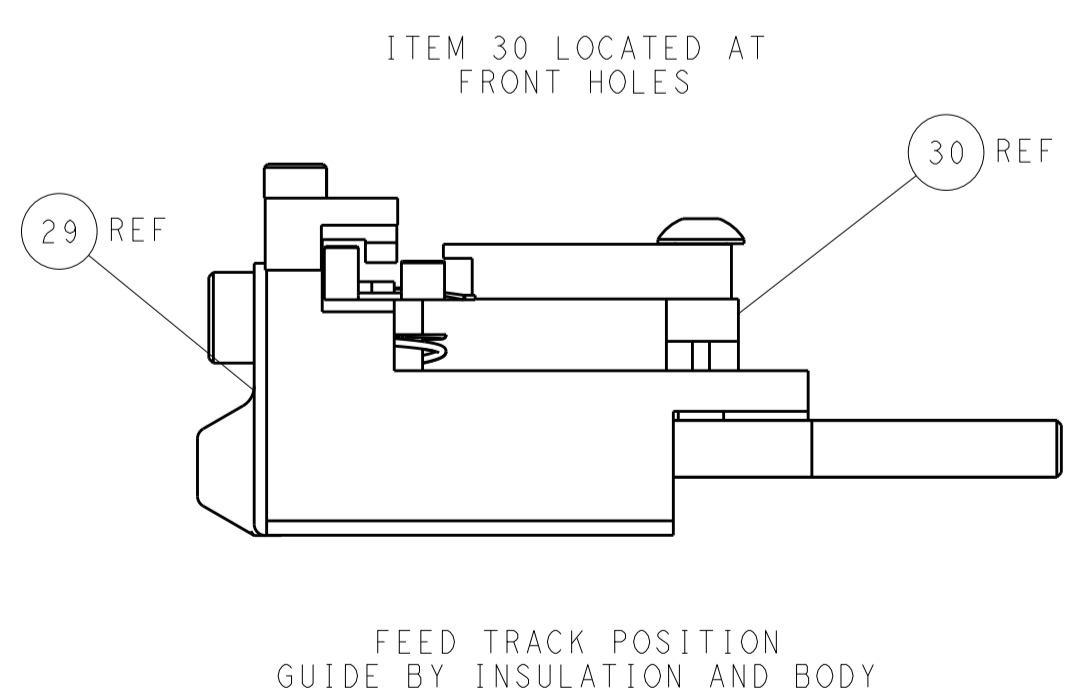
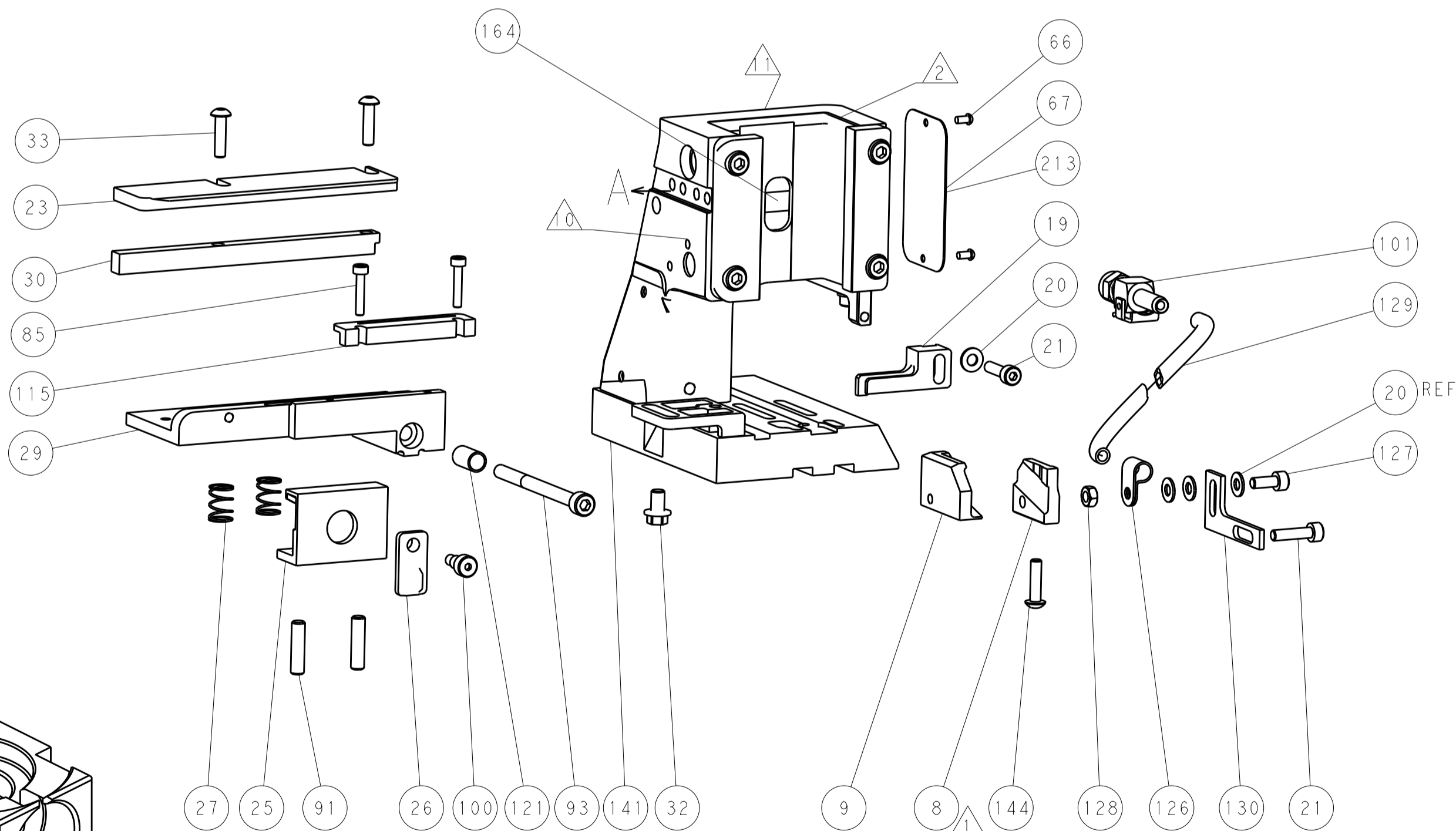
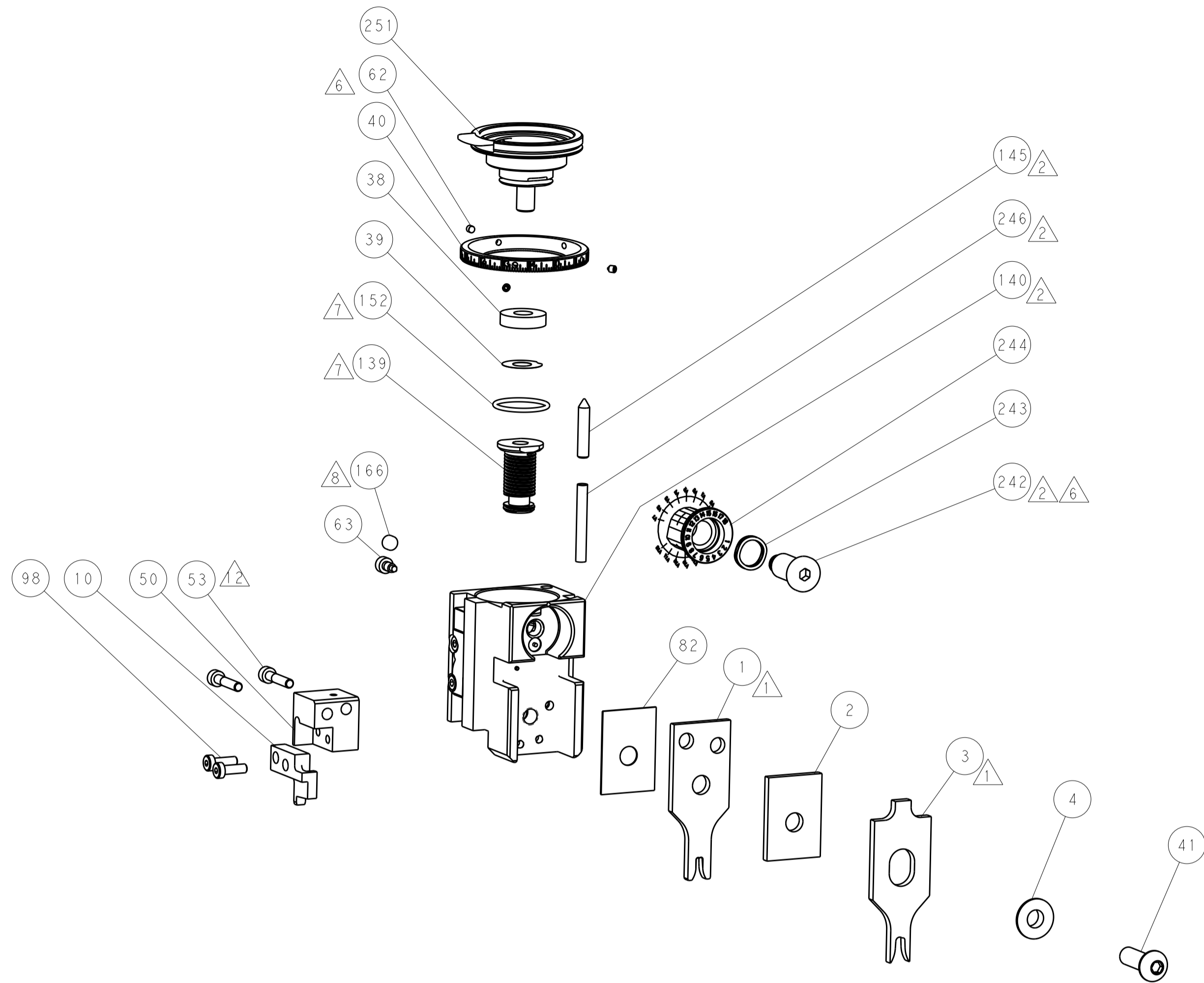
PNEUMATIC



SERVO LATCH PLATE



CAM POSITIONS



PACIFIC VERSION
 Shown on sheets 3 of 4 & 4 of 4
 (Atlantic version shown on sheets 1 of 4 & 2 of 4)

DIMENSIONS:		TOLERANCES UNLESS OTHERWISE SPECIFIED:		DWN S_ZOU 26AUG2011		TE Connectivity	
mm	0 PLC	±		CHK T_ELBIN 26AUG2011	Harrisburg, PA 17105-3608		
	1 PLC	±		APPV S_XI 26AUG2011	NAME		
	2 PLC	±		PRODUCT SPEC	Ocean Side Feed		
	3 PLC	±		APPLICATION SPEC	Applicator		
	4 PLC	±		WEIGHT	SIZE	CAGE CODE	DRAWING NO
	ANGLES	±		REVISIONS	A1	00779	©=2151089
MATERIAL	FINISH			CUSTOMER DRAWING	SCALE	SHEET	OF
					1:2	4	4