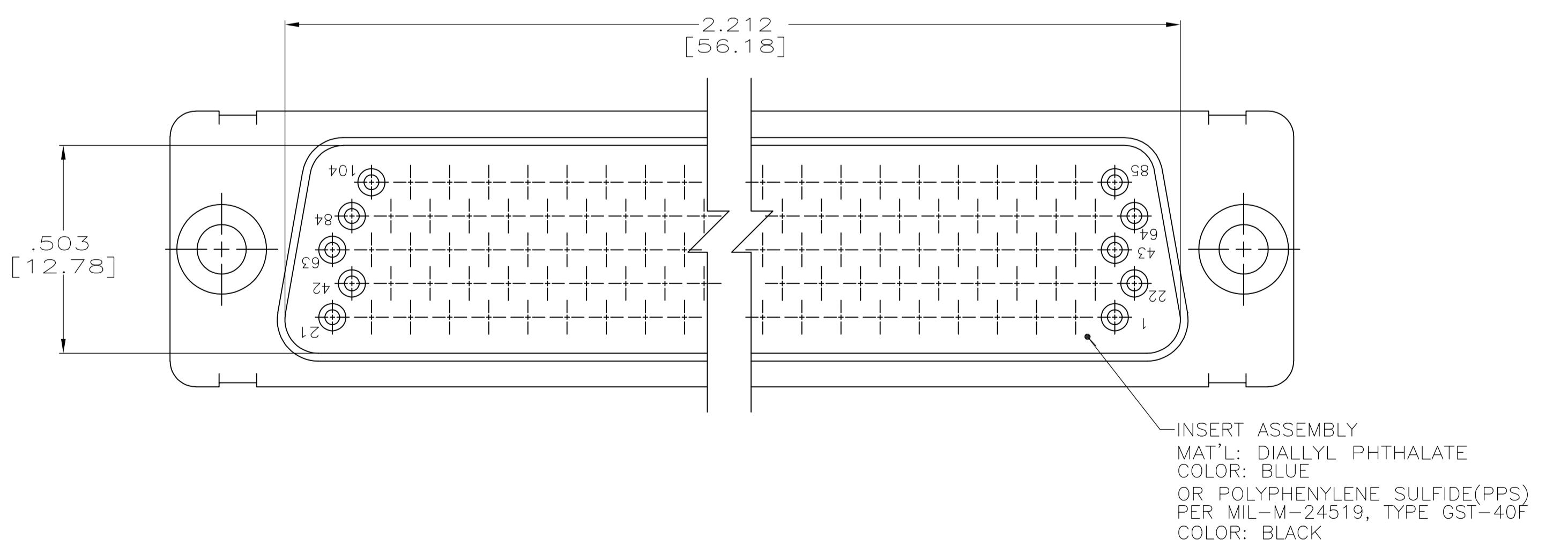
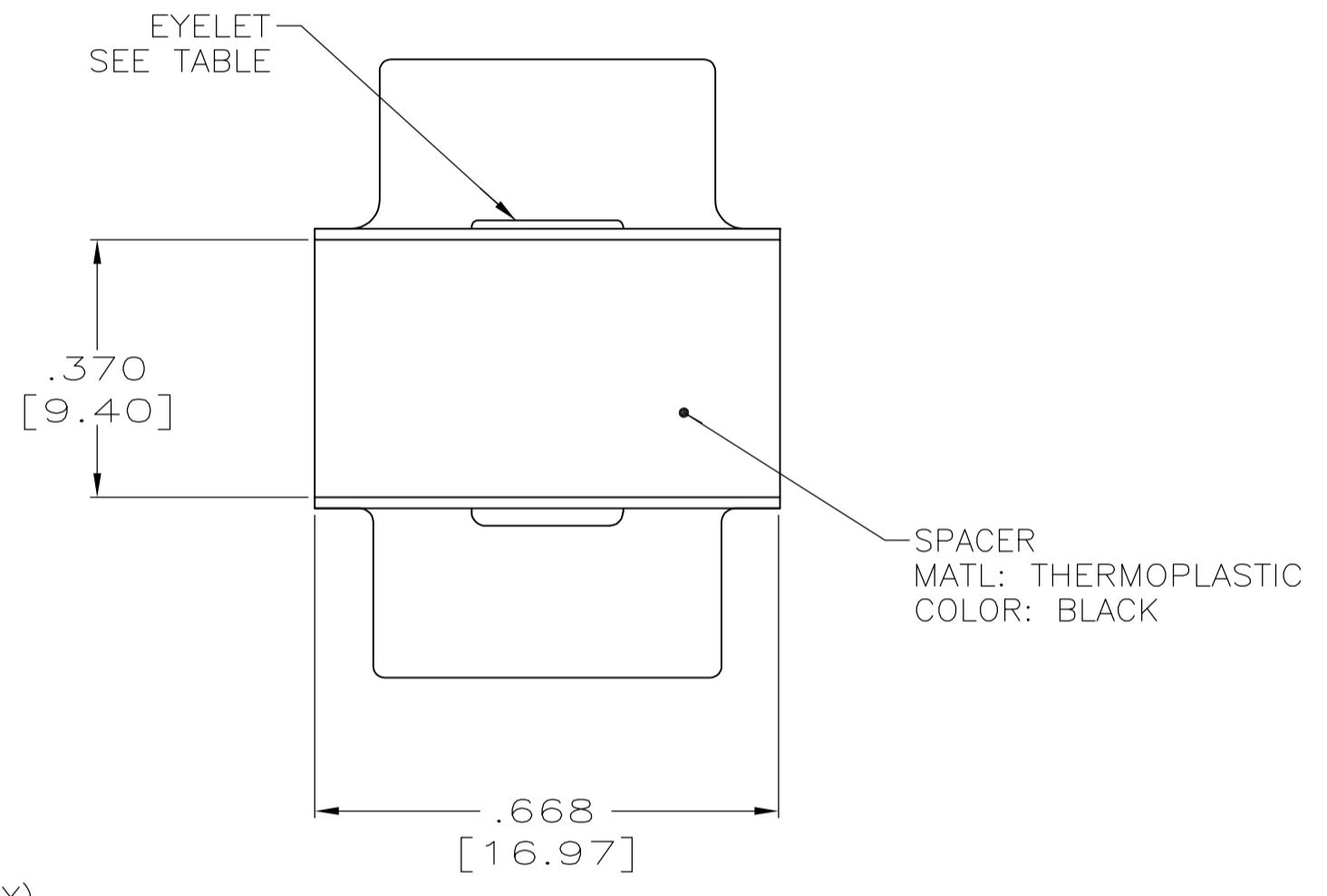
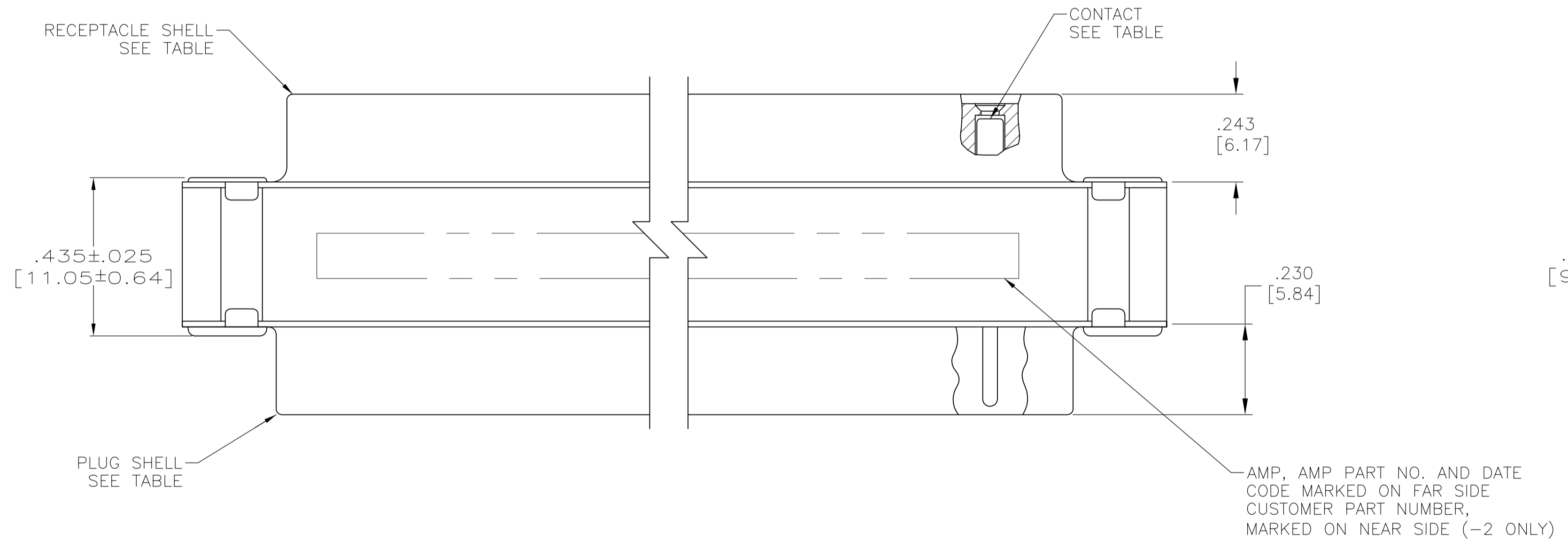
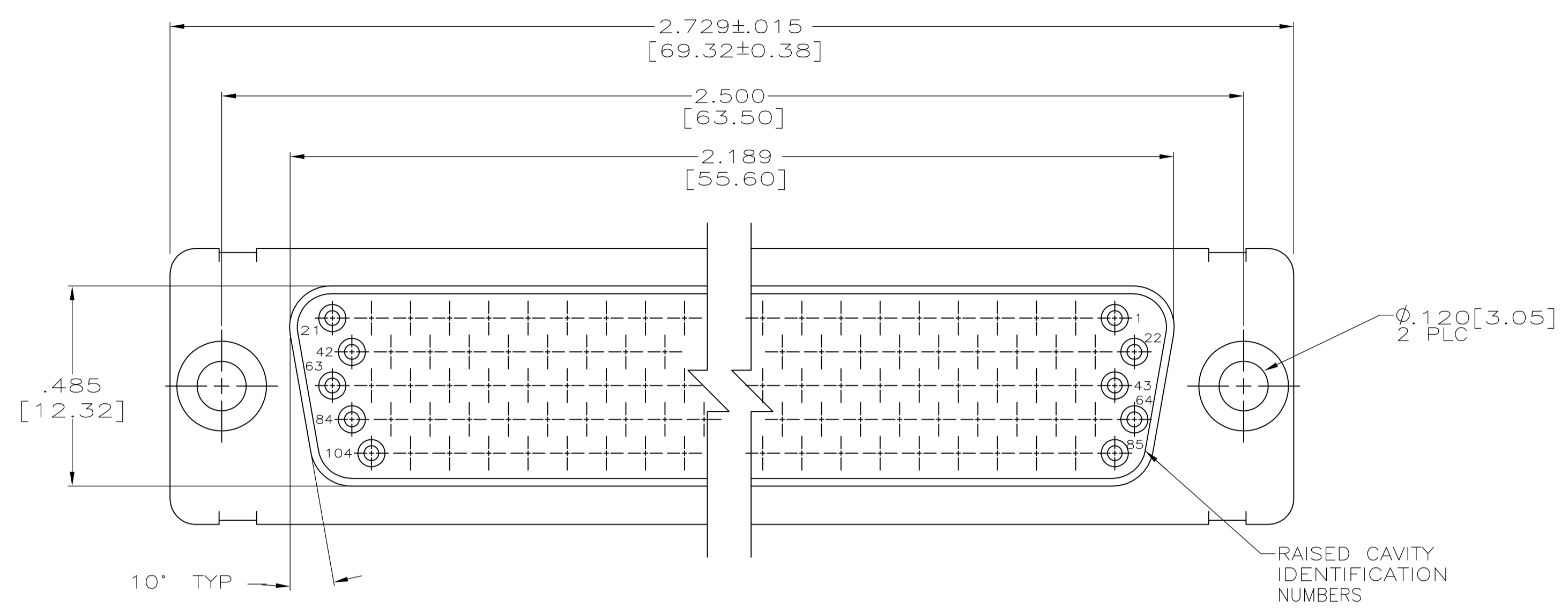
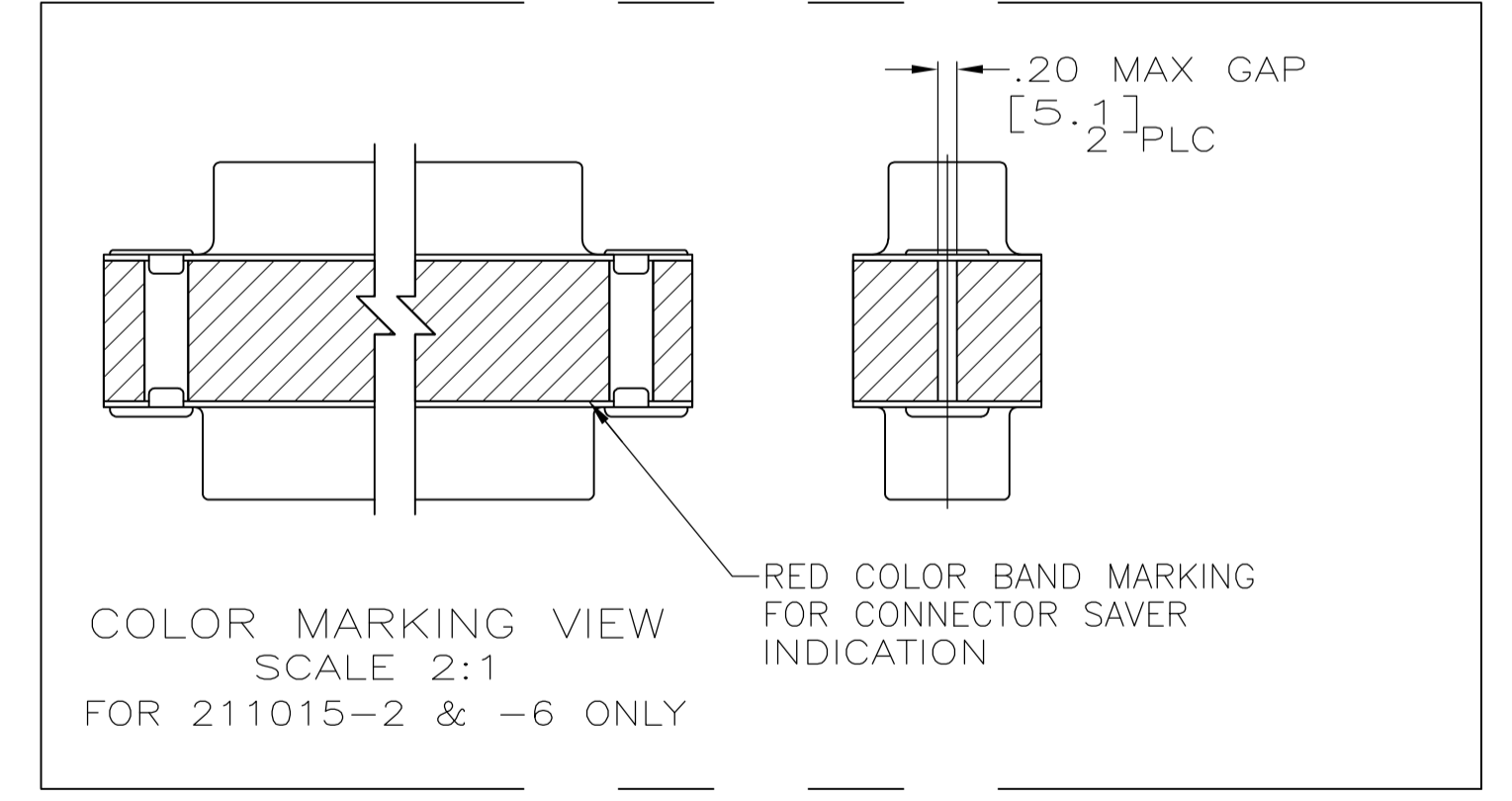


| REVISONS |             | DATE        | BY      | APPV  |
|----------|-------------|-------------|---------|-------|
| LOC      | DIST        | DESCRIPTION |         |       |
| V        | REV PER ECO | 13-001184   | 1-29-13 | CT RL |



- 1. CONTACTS INCLUDED IN ASSEMBLY.
- △ MATL: STEEL, PER ASTM-A-109.
- △ FINISH: CADMIUM PER QQ-P-416.
- △ MATL: BRASS PER ASTM-B-36.
- △ FINISH: PLATED ZINC .00020 MIN THK PER ASTM-B-633. YELLOW CHROMATE FINISH.
- △ CONTACT
- BODY MAT'L: BERYLLIUM COPPER PER ASTM-B-197.
- BODY FINISH: PLATED GOLD, .000050 MIN THK PER MIL-G-45204 OVER NICKEL, .000050 MIN THK PER QQ-N-290.
- HOOD MAT'L: STAINLESS STEEL PER ASTM-A-240.
- HOOD FINISH: PASSIVATED PER QQ-P-35
- △ FINISH: PLATED GOLD, .000050 MIN THK PER MIL-G-45204 OVER COPPER FLASH
- △ FINISH: PLATED GOLD, .000050 MIN THK PER MIL-G-45204 OVER COPPER, .000100 MIN THK PER MIL-C-14550.
- △ CONTACT
- BODY MAT'L: BERYLLIUM COPPER PER ASTM-B-197.
- BODY FINISH: PLATED GOLD, .000050 MIN THK PER MIL-G-45204 OVER COPPER, .000100 MIN THK PER MIL-C-14550.
- HOOD MAT'L: COPPER ALLOY PER QQ-B-613.
- FINISH: PLATED GOLD, .000050 MIN THK PER MIL-G-45204 OVER COPPER, .000100 MIN THK PER MIL-C-14550.



|        |        |         |                           |          |
|--------|--------|---------|---------------------------|----------|
| △ △    | △ △    | △       | 4U884 SOCN R10002677-0111 | 211015-6 |
| △ △    | △ △    | △       | 2A091-006W-001            | 211015-5 |
| △ △    | △ △    | △       | -                         | 211015-4 |
| △ △    | △ △    | △       | -                         | 211015-3 |
| △ △    | △ △    | △       | (1J02-111)                | 211015-2 |
| △ △    | △ △    | △       | -                         | 211015-1 |
| EYELET | SHELLS | CONTACT | CUSTOMER P/N              | PART NO. |

THIS DRAWING IS A CONTROLLED DOCUMENT.

|                    |  |                        |                        |           |
|--------------------|--|------------------------|------------------------|-----------|
| DIMENSIONS: INCHES | TOLERANCES UNLESS OTHERWISE SPECIFIED: | DIN C.C.THOMAS 11-3-98 | APVD J.NORTON 11-17-98 | NAME      |
| 0 PLC ± -          | 1 PLC ± -                              | 2 PLC ± -              | 3 PLC ± .005 [0.13]    | 4 PLC ± - |
| ANGLES ± -         |  |                        |                        |           |
| MATERIAL           | FINISH                                 | WEIGHT                 | SIZE                   | CAGE CODE |
|                    |  |                        | A1                     | 00779     |
| CUSTOMER DRAWING   |  | SCALE 4:1              | SHEET 1 of 1           | REV V     |

STE TE Connectivity  
CONNECTOR SAVER,AMPLITE 104 POSN.,SIZE 6,SERIES 90