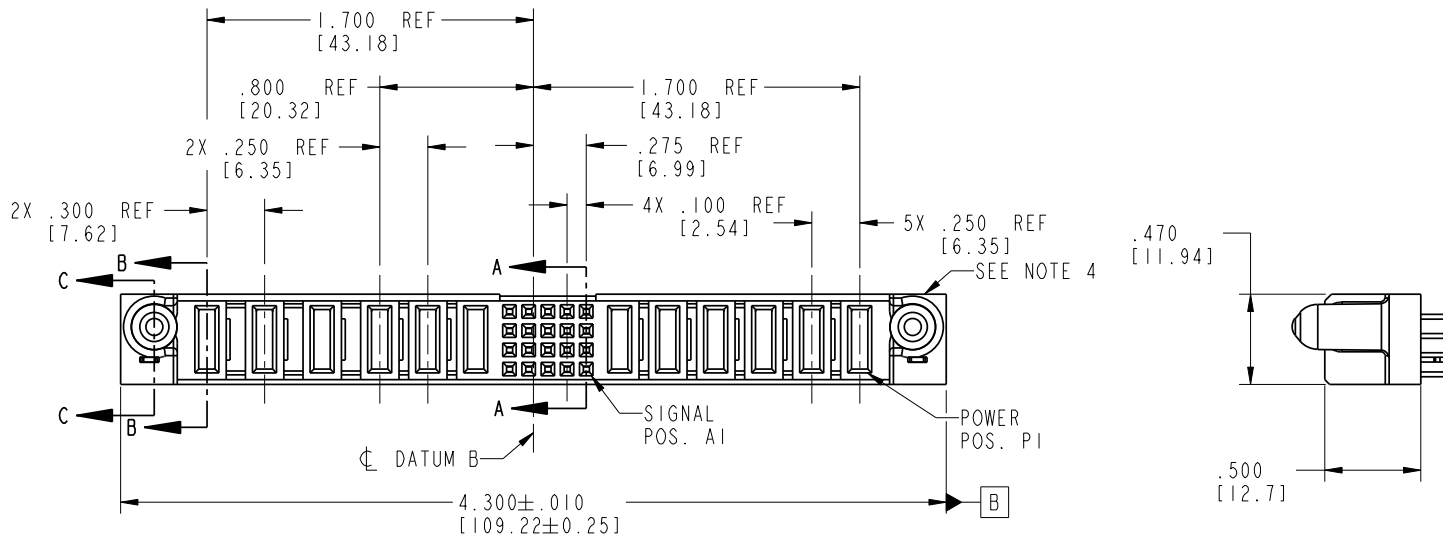


Tous droits strictement réservés. Reproduction ou communication o des liers interdite sous quelque forme que ce soit sans autorisation écrite du propriétaire. Propriete de c FCI. Drois de reproduction FCI.

All rights strictly reserved. Reproduction or issue to third parties in any form whatever is not permitted without written authority from the proprietor. Property of FCI. Copyright FCI.

**FCI**

PRODUCT NO. 51940-078-- NOTE: 3	ROWS D C B A	POWER						SIGNAL					POWER							
		E2	P12	P11	P10	P9	P8	P7	5	4	3	2	1	P6	P5	P4	P3	P2	P1	E1



CODE	DIM "M" MATING LENGTH	CONTACT TYPE
E	N/A [N/A]	SIGNAL
PA	.042 [1.07]	POWER
PD	.092 [2.34]	POWER
HA	N/A [N/A]	HOLD-DOWN
X	OMITTED	OMITTED

mat'l code				SEE NOTE 2		tolerances unless otherwise specified		CUSTOMER		<b>FCI</b>	
lir	ecn no.	dr	date	linear	.XX±.01/0.X±0.3	COPY		projection		www.fciconnect.com	
A	V04-0182	TAB	02/23/04		.XXX±.005/0.XX±0.13	INCH/MM		title		6P + 20S + 3P + 3ACP	
B	DG05-0304	GuoJM	09/27/05	angles	.XXX±.0020/0.XXX±0.051	scale		product family		PwrBlade	
				dr	0°±2°	1:1		size		213	
				enrg	T. BRUNGARD 02/23/04			dwg no		sheet	
				chr	M. GRAY 02/23/04			A		1 of 4	
				oppd	M. GRAY 02/23/04			51940-078			
sheet index	revision sheet	B	B	B	B						
		1	2	3	4						

1 | 2

Pro/E

**PDM: Rev: B**

STAT **US: Released**

Printed: Dec 20, 2010

Tous droits strictement réservés. Reproduction ou communication o des liers interdite sous quelque forme que ce soit sans autorisation écrite du propriétaire. Propriete de c FCI. Drois de reproduction FCI.

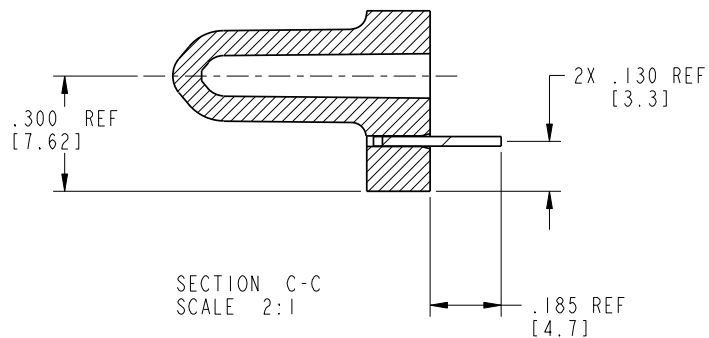
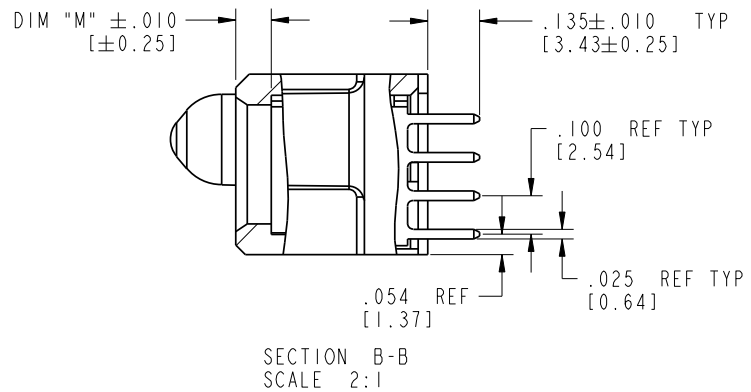
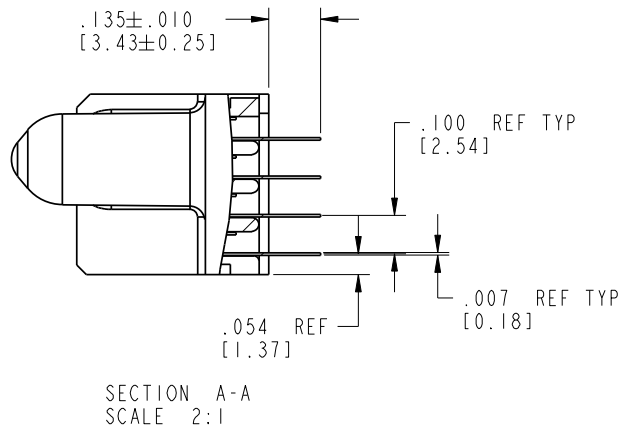
All rights strictly reserved. Reproduction or issue to third parties in any form whatever is not permitted without written authority from the proprietor. Property of FCI. Copyright FCI.

**A**  
**FCI**

**A**

**B**

PRODUCT NUMBER  
51940-078\_\_  
NOTE: 3



mat'l code		SEE NOTE 2		tolerances unless otherwise specified		CUSTOMER		<b>A</b> <b>FCI</b>		www.fciconnect.com	
lir	ecn no.	dr	date	linear	.XX±.01/0.X±0.3	projection	COPY		title 6P + 20S + 3P + 3ACP VERTICAL SOLDER RECEPT		
B				angles	.XX±.005/0.XX±0.13 .XXX±.0020/0.XXX±0.051	INCH/MM	product family		PwrBlade		
				dr	T. BRUNGARD 02/23/04	scale	size		213		
				enr	M. GRAY 02/23/04	1:1	dwg no		sheet		
				chr	M. GRAY 02/23/04		A		2 of 4		
				appd	M. GRAY 02/23/04		51940-078				
sheet index	revision sheet										

Pro/E

**PDM: Rev: B**

STAT **US: Released**

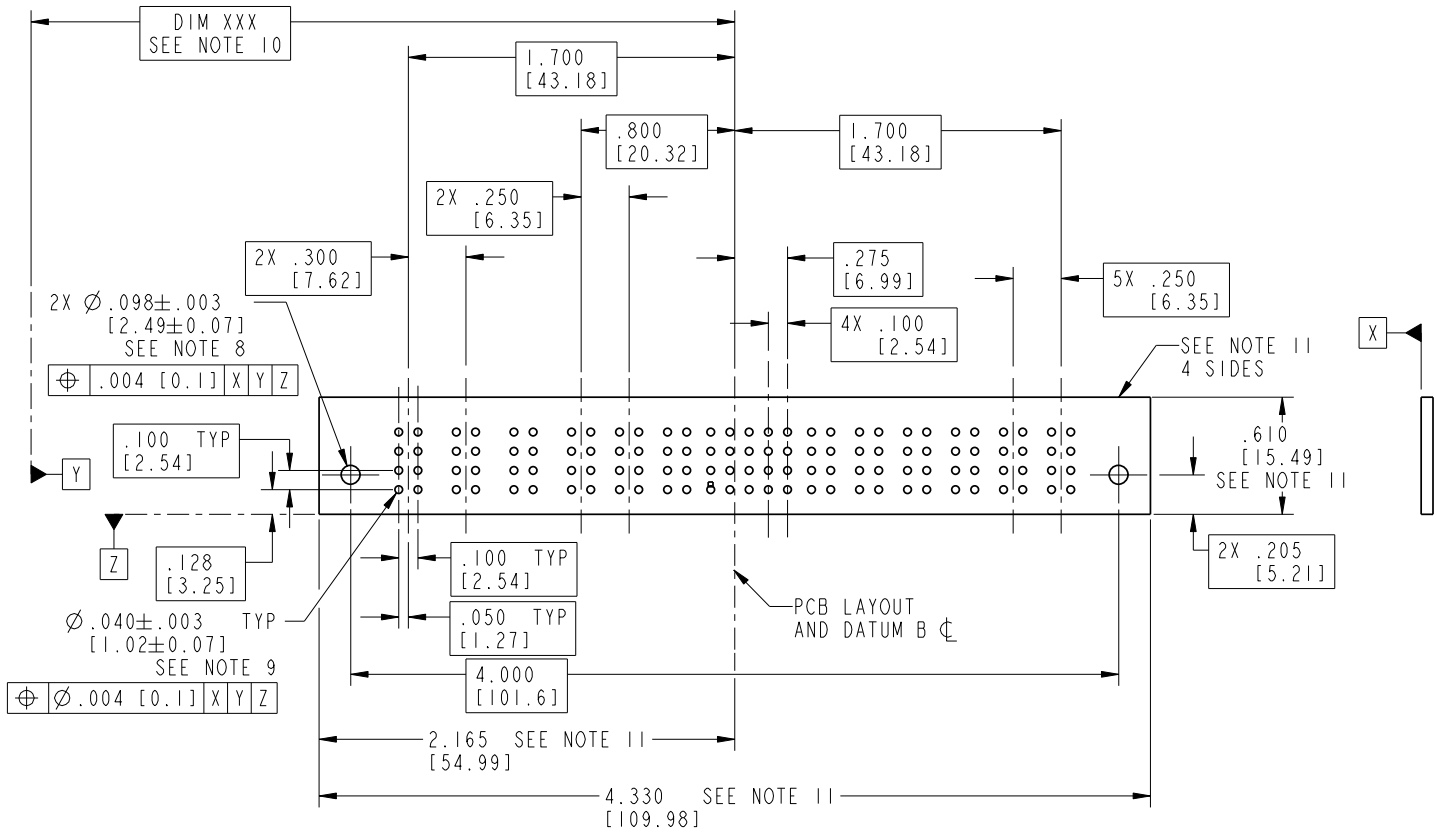
Printed: Dec 20, 2010

Tous droits strictement réservés. Reproduction ou communication o des liers interdite sous quelque forme que ce soit sans autorisation écrite du propriétaire. Propriete de c FCI. Droits de reproduction FCI.

All rights strictly reserved. Reproduction or issue to third parties in any form whatever is not permitted without written authority from the proprietor. Property of FCI. Copyright FCI.

**FCI**

PRODUCT NUMBER  
51940-078\_\_  
NOTE: 3



mat'l code		SEE NOTE 2		tolerances unless otherwise specified		CUSTOMER		<b>FCI</b>		www.fciconnect.com	
lir	ecn no.	dr	date	linear	.XX±.01/0.X±0.3	COPY		projection		title	
B					.XXY±.005/0.XX±0.13			6P + 20S + 3P + 3ACP		VERTICAL SOLDER RECEPT	
				angles	.XXX±.0020/0.XXX±0.051	INCH/MM		product family		code	
				dr	0°±2°	1:1		PwrBlade		213	
				enrg	T. BRUNGARD 02/23/04			size		sheet	
				chr	M. GRAY 02/23/04			A 51940-078		3 of 4	
				appd	M. GRAY 02/23/04						
sheet index	revision sheet										

code code 22556

Pro/E

**PDM: Rev: B**

STAT: **Released**

Printed: Dec 20, 2010

PRODUCT NUMBER

51940-078\_\_  
NOTE: 3

NOTES:

1. DIMENSIONS AND TOLERANCES ARE IN ACCORDANCE WITH ASME Y14.5M, 1994 UNLESS OTHERWISE SPECIFIED.

CONNECTOR NOTES:

2 HOUSING MATERIAL: UL 94 V-0 GLASS FILLED  
HIGH-TEMP THERMOPLASTIC  
POWER CONTACT MATERIAL: COPPER ALLOY  
SIGNAL PIN MATERIAL: COPPER ALLOY

3. PLATING:  
51940-078 Singal Pin:30u"/0.76um Au OVER 50u"/1.27um Ni ON THE CONTACT AREA,  
AND 100u"/2.54um SnPb PLATING OVER 50u"/1.27um Ni ON THE TERMINATION SECTION.  
Power Pin:30u"/0.76um Au OVER 50u"/1.27um Ni ON THE CONTACT AREA,  
AND 100u"/2.54um SnPb PLATING OVER 50u"/1.27um Ni ON THE TERMINATION SECTION.

51940-078LF Singal Pin:30u"/0.76um Au OVER 50u"/1.27um Ni ON THE CONTACT AREA,  
AND 78u"/2.00um Sn PLATING OVER 50u"/1.27um Ni ON THE TERMINATION SECTION.  
Power Pin:30u"/0.76um Au OVER 50u"/1.27um Ni ON THE CONTACT AREA,  
AND 78u"/2.00um Sn PLATING OVER 50u"/1.27um Ni ON THE TERMINATION SECTION.

PART NUMBER 51940-078LF MEETS EUROPEAN UNION DIRECTIVE AND OTHER COUNTRY REGULATIONS AS DESCRIBED IN GS-22-008.

THE HOUSING WILL WITHSTAND EXPOSURE TO 260° PEAK TEMPERATURE FOR 10 SECONDS IN A WAVE SOLDER APPLICATION WITH A CIRCUIT BOARD.

4 MANUFACTURER'S NAME, P/N, AND DATE CODE TO APPEAR ON THIS SURFACE.

5. PRODUCT SPECIFICATION GS-12-149.  
APPLICATION SPECIFICATION BUS-20-067.

6. PACKAGED IN TRAYS.

PCB NOTES:


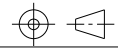
7. ALL HOLE DIAMETERS ARE FINISHED HOLE SIZE.

8 MOUNTING HOLES, WHERE APPLICABLE, ARE UNPLATED.

9  $\varnothing .0453 \pm .0010$  [1.151  $\pm$  0.025] DRILLED HOLES PLATED WITH  
.0003 [0.008] MIN SnPb OVER .001 [0.03]  
TO .003 [0.08] Cu PLATING TO ACHIEVE  
 $\varnothing .040 \pm .003$  [1.02  $\pm$  .07] HOLE.

10 "DIM XXX" TO BE DETERMINED BY THE CUSTOMER.

11 CONNECTOR KEEP-OUT ZONE.

mat'l code				SEE NOTE 2		tolerances unless otherwise specified		CUSTOMER		 www.fciconnect.com	
lir	ecn no.	dr	date	linear	.XX±.01/0.X±0.3		COPY		title 6P + 20S + 3P + 3ACP		
B					.XXX±.005/0.XX±0.13		projection		VERTICAL SOLDER RECEPT		
				angles	.XXX±.0020/0.XXX±0.051				product family PwrBlade code 213		
					$0^\circ \pm 2^\circ$		INCH/MM		size A 51940-078 sheet 4 of 4		
				dr	T. BRUNGARD	02/23/04	scale 1:1				
				enrg	M. GRAY	02/23/04					
				chr	M. GRAY	02/23/04					
				appd	M. GRAY	02/23/04					
sheet index	revision sheet										

Tous droits strictement reserves. Reproduction ou communication a des tiers interdite sous quelque forme que ce soit sans autorisation ecrite du proprietaire. Propriete de c FCI. Droits de reproduction FCI.

**A**  
**FCI**

All rights strictly reserved. Reproduction or issue to third parties in any form whatever is not permitted without written authority from the proprietor. Property of FCI. Copyright FCI.

**B**