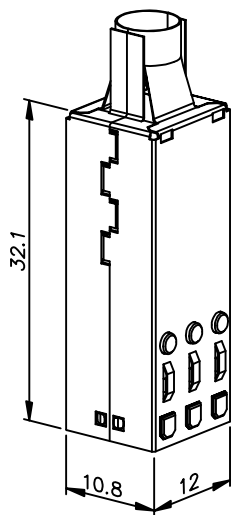


PRODUCT NUMBER:
85706-XYZ1LF

HEAT SHRINK VERSION

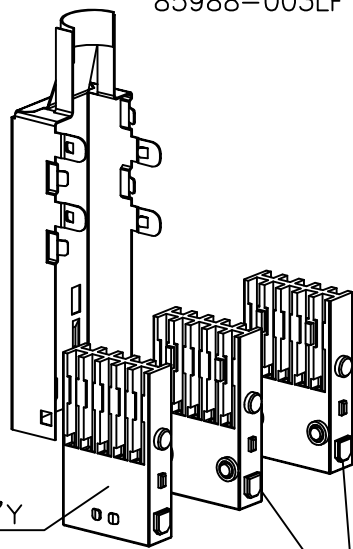
CRIMPED VERSION

PRODUCT NO.
85706-XOZ1LF



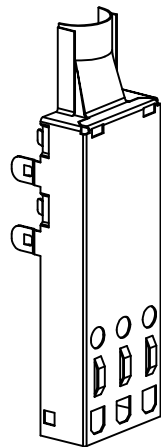
TERMINAL BLOCK ASS'Y
72377-X1Z1LF

METAL SHIELD
85988-003LF

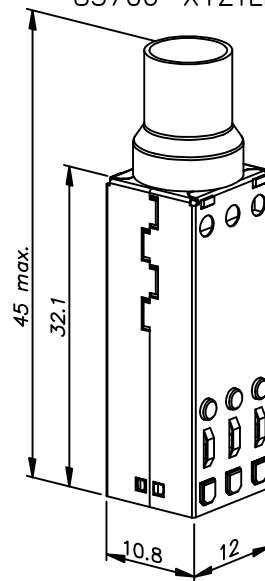


TERMINAL BLOCK ASS'Y
72377-X2Z1LF

METAL SHIELD
85988-001LF

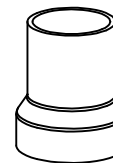


PRODUCT NO.
85706-XYZ1LF

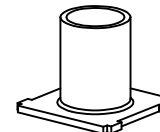


TERMINAL BLOCK ASS'Y
72377-X1Z1LF

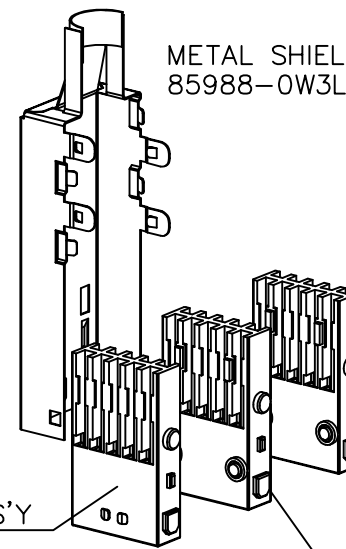
OUTER FERRULE
85678-00VLF



INNER FERRULE
85677-00VLF

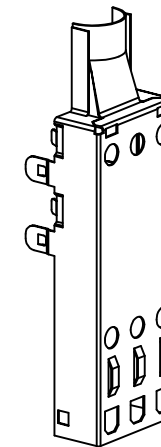


METAL SHIELD
85988-0W3LF



TERMINAL BLOCK ASS'Y
72377-X2Z1LF

METAL SHIELD
85988-0W2LF



mat'l. code		tolerances unless otherwise specified			CUSTOMER COPY		FCJ			
ltr	ecn no	dr	date			projection	title			
A	H80084	VWO	971029	linear			5x6 Shielded			
B	H80824	VWO	981119	angles			CABLE CONNECTOR KIT			
C	DG05-0071	CLu	050402			mm	product family		code	
D	DG05-0438	CLu	051102	dr	H v Woensel	971016	Metral(tm)		213	
E	DG06-0198	CLu	060526	eng	H v Woensel	971016	sizedwg no		sheet	
				chr	H Cooijmans	980205	scale	85706		1 of 2
				app	H v Woensel	980205	1:1	A3		
sheet index	revision sheet	E	E							
		1	2							

Tous droits strictement reserves. Reproduction ou communication a des tiers interdite sous quelque forme que ce soit sans autorisation écrite du propriétaire. Property of F C I b.v. © F C I b.v.
 Reproduction or issue to third parties in any form without written authority from the proprietor. Property of F C I b.v. © F C I b.v.
 All rights strictly reserved. Reproduction or communication to third parties in any form without written authority from the proprietor. Property of F C I b.v. © F C I b.v.

PRODUCT NUMBER:

85706-XYZ1LF

NOTES:

- SEE APPLICATION SPECIFICATION GES-20-003 FOR INSTRUCTIONS ON WIRE INSERTION AND ASSEMBLY OF COMPONENTS FOR CONNECTORS
- PLUGS INTO SHIELDED HEADERS 72031, 72032, SHROUDS 72033 AND 72034.
- MAXIMUM SHEATH DIAMETER: 8 mm.
MAXIMUM DIAMETER OVER BRAID: 6 mm
- THIS PRODUCT MEETS EUROPEAN UNION DIRECTIVES AND OTHER COUNTRY REGULATIONS AS DESCRIBED IN GS-22-008 .
- THE PRODUCT IS NOT INTENDED TO BE EXPOSED TO A MANUFACTURING SOLDER PROCESS.

MATERIAL:

TERMINAL BLOCKS: GLASS FILLED 612
POLYAMIDE (UL 94 V-0)
CONTACTS:
PHOSPHOR BRONZE
SOLDER FINISH ON IDC DIMPLES

	PART:	INNER FERRULE:	OUTER FERRULE:
Y=1	85988-002LF 85988-003LF 85677-001LF 85678-001LF	ø5.5 mm	ø7.45 mm
Y=3	85988-002LF 85988-003LF 85677-001LF 85991-002LF	ø5.5 mm	ø7.45 mm
Y=2	85988-012LF 85988-013LF 85677-002LF 85678-002LF	ø8 mm	ø10.0 mm
Y=4	85988-012LF 85988-013LF 85677-002LF	ø8 mm	ø10.0 mm

ORDERING INFORMATION FOR KITS:

ORDER KITS 85706-XYZ1LF WHERE
PLATING IN CONTACT AREA:


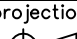
- X=1 FOR 0.8 æm GOLD
- X=2 FOR 2.0 æm GOLD
- X=3 FOR 1.3 æm GOLD
- X=9 FOR 0.8 æm GXT™

LATCH TYPE:

- Y=0 HEAT SHRINK VERSION FOR USE WITH LATCH 85991-001LF OR 85992-001LF
- Y=3 OVERMOLDED VERSION FOR USE FOR LATCH 85991-002LF
- Y>0 CRIMPED VERSION FOR USE WITH LATCH 85991-002LF OR 85992-002LF, SEE TABLE.

COPPER WIRE SIZE:

- Z=1 FOR 0.40 - 0.51 mm DIA (26 TO 24 AWG)
- Z=2 FOR 0.25 - 0.32 mm DIA (30 TO 28 AWG)

mat'l. code		tolerances unless otherwise specified		CUSTOMER COPY		 www.fciconnect.com	
ltr	ecn no	dr	date	linear	projection	title	
E						5x6 Shielded CABLE CONNECTOR KIT	
				angles	 mm	product family	Metral(tm)
				dr H v Woensel		971016	code
				eng H v Woensel	971016	size	dwg no
				chr H Coijmans	980205	scale	1:1
				app H v Woensel	980505	A3	85706
sheet index	revision sheet						sheet 2 of 2

Tous droits strictement reserves. Reproduction ou communication o des tiers interdite sous quelque forme que ce soit sans autorisation écrite du propriétaire. Property of FCI b.v. © FCI b.v.

All rights strictly reserved. Reproduction or issue to third parties in any form whatever is not permitted without written authority from the proprietor. Property of FCI b.v. © FCI b.v.